



US0D1019740S

(12) **United States Design Patent**  
**Coster et al.**

(10) **Patent No.:** **US D1,019,740 S**  
(45) **Date of Patent:** **\*\* Mar. 26, 2024**

(54) **CAMERA HOUSING**

FOREIGN PATENT DOCUMENTS

(71) Applicant: **GoPro, Inc.**, San Mateo, CA (US)

CN	302944108	5/2014
CN	303933789	6/2016
GB	4034453	3/2014

(72) Inventors: **Daniel J. Coster**, Oakura (NZ); **Bessy Liang**, San Jose, CA (US); **Huy Phuong Nguyen**, Alpine, UT (US); **John George Muhlenkamp, IV**, Brisbane, CA (US); **Jordan Todd**, Piedmont, CA (US)

OTHER PUBLICATIONS

Action Video Suction Cup. [online] Published date Oct. 23, 2014. Retrieved on Nov. 2, 2016 from <URL: <[https://www.amazon.com/Suction-Locking-JOBY-Easy-Anti-Vibration-Cameras/dp/B0008R7A72/ref=pd\\_sim\\_421\\_2?encoding=UTF8&pd\\_rd\\_i=B0008R7A72&pd\\_rd\\_r=AGCVZH2ZHQKHT5BBX2GZ&pd\\_rd\\_w=7Jkpc&pd\\_rd\\_wg=OMKYF&psc=1&refRID=AGCVZH2ZHQKHT5BBX2GZ](https://www.amazon.com/Suction-Locking-JOBY-Easy-Anti-Vibration-Cameras/dp/B0008R7A72/ref=pd_sim_421_2?encoding=UTF8&pd_rd_i=B0008R7A72&pd_rd_r=AGCVZH2ZHQKHT5BBX2GZ&pd_rd_w=7Jkpc&pd_rd_wg=OMKYF&psc=1&refRID=AGCVZH2ZHQKHT5BBX2GZ)>. (9 pages).

(Continued)

(73) Assignee: **GoPro, Inc.**, San Mateo, CA (US)

(\*\*) Term: **15 Years**

*Primary Examiner* — Ramzi Almatrahi

(21) Appl. No.: **29/861,342**

(74) *Attorney, Agent, or Firm* — Young Basile Hanlon & MacFarlane, P.C.

(22) Filed: **Nov. 29, 2022**

**Related U.S. Application Data**

(60) Division of application No. 29/842,487, filed on Jun. 14, 2022, now Pat. No. Des. 978,953, which is a continuation of application No. 29/805,978, filed on Aug. 31, 2021, now Pat. No. Des. 957,503, which is a division of application No. 29/771,317, filed on  
(Continued)

(57) **CLAIM**

The ornamental design for a camera housing, as shown and described.

(51) **LOC (14) Cl.** ..... **16-05**  
(52) **U.S. Cl.**  
USPC ..... **D16/219**  
(58) **Field of Classification Search**  
USPC ..... D16/200, 202–208, 218, 219  
CPC ..... G03B 15/03; G03B 17/02; G03B 17/04;  
G03B 17/56; G03B 19/04; H04N  
2101/00;

**DESCRIPTION**

FIG. 1 is a top, front, and right side perspective view of a camera housing showing our new design; FIG. 2 is a bottom, rear, and right side perspective view thereof; FIG. 3 is a top, rear and left side perspective view thereof; FIG. 4 is a front elevation view thereof; FIG. 5 is a rear elevation view thereof; FIG. 6 is a left side elevation view thereof; FIG. 7 is a right side elevation view thereof; FIG. 8 is a top plan view thereof; and, FIG. 9 is a bottom plan view thereof. The broken lines depict portions of the camera housing in which the design is embodied that form no part of the claimed design. The dash-dot broken lines denote the boundary of the claim and form no part of the claimed design.

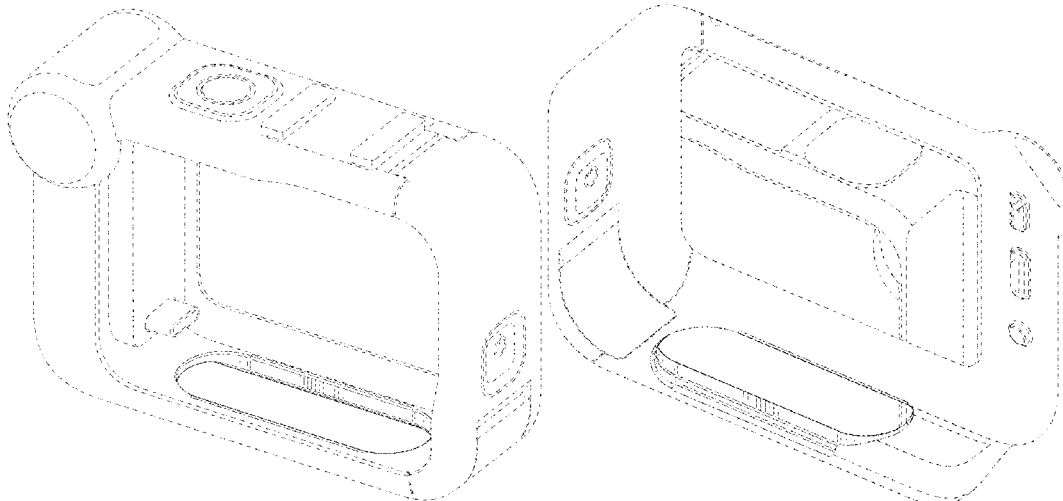
(Continued)

(56) **References Cited**

U.S. PATENT DOCUMENTS

679,881 A 8/1901 Bullard  
1,467,556 A 9/1923 Nagel  
(Continued)

**1 Claim, 8 Drawing Sheets**



**Related U.S. Application Data**

Feb. 22, 2021, now Pat. No. Des. 929,489, which is a division of application No. 29/705,667, filed on Sep. 13, 2019, now Pat. No. Des. 911,411.

(58) **Field of Classification Search**

CPC ..... H04N 23/50; H04N 23/51; H04N 23/54; H04N 23/55; H04N 23/62; H04N 23/63  
See application file for complete search history.

(56) **References Cited**

U.S. PATENT DOCUMENTS

1,612,277 A 12/1926 Leo  
2,336,104 A 12/1943 Laube  
4,341,452 A 7/1982 Korling  
D265,829 S 8/1982 Shimoda  
4,646,141 A 2/1987 Timmermans  
4,763,151 A 8/1988 Klinger  
D298,760 S 11/1988 Yoshida  
5,092,552 A 3/1992 Dayton  
5,325,139 A 6/1994 Matsumoto  
D349,126 S 7/1994 Lee  
5,353,079 A 10/1994 Sakai  
5,576,781 A 11/1996 Deleeuw  
5,738,321 A 4/1998 Moriyasu  
D441,386 S 5/2001 Yamazaki  
6,347,893 B1 2/2002 Shiono  
D469,338 S 1/2003 Chace  
D491,968 S 6/2004 Isshiki  
D492,953 S 7/2004 Mitsuse  
D499,131 S 11/2004 Tania  
D504,904 S 5/2005 Nagai  
D505,146 S 5/2005 Ou  
D515,121 S 2/2006 Bleau  
D550,741 S 9/2007 Vernon  
D563,486 S 3/2008 Slater  
D582,955 S 12/2008 Sekine  
7,537,399 B2 5/2009 Mayumi  
D594,050 S 6/2009 Grtner  
7,621,680 B2 11/2009 Frick  
D616,480 S 5/2010 Ookawa  
8,014,656 B2 9/2011 Woodman  
D646,313 S 10/2011 Woodman  
D647,554 S 10/2011 Yim  
D647,935 S 11/2011 Raken  
D653,687 S 2/2012 Yu  
D657,808 S 4/2012 Woodman  
D674,428 S 1/2013 Woodman  
D684,569 S 6/2013 Willenborg  
8,467,675 B2 6/2013 Chen  
D692,507 S 10/2013 Meys  
8,544,643 B2 10/2013 Yim  
8,596,890 B2 12/2013 Yim  
D699,276 S 2/2014 Samuels  
D699,277 S 2/2014 Samuels  
D702,747 S 4/2014 Woodman  
8,718,457 B2 5/2014 Clark  
D706,603 S 6/2014 Kokawa  
D710,921 S 8/2014 Gioscia  
D710,922 S 8/2014 Gioscia  
8,794,579 B2 8/2014 Sturman  
D722,097 S 2/2015 Kim  
D724,637 S 3/2015 Samuels  
D724,638 S 3/2015 Samuels  
D725,169 S 3/2015 Gioscia  
D727,387 S 4/2015 Hasegawa  
9,004,783 B1 4/2015 Woodman  
D730,423 S 5/2015 Vandenbussche  
D732,601 S 6/2015 Coyle  
D733,787 S 7/2015 Baker  
D733,788 S 7/2015 Baker  
D736,848 S 8/2015 Kim  
D737,647 S 9/2015 Elder  
D739,451 S 9/2015 Gioscia  
D740,876 S 10/2015 Woodman

D745,589 S 12/2015 Lee  
D749,164 S 2/2016 Raccah  
D750,146 S 2/2016 Costa  
D750,680 S 3/2016 Chen  
D750,687 S 3/2016 Samuels  
D752,671 S 3/2016 Harrison  
D752,672 S 3/2016 Clearman  
9,282,226 B2 3/2016 Samuels  
D754,230 S 4/2016 Mori  
D754,240 S 4/2016 Samuels  
D755,277 S 5/2016 Shnholz  
D758,474 S 6/2016 Harrison  
D759,141 S 6/2016 Bacon  
D759,145 S 6/2016 Lee  
D760,309 S 6/2016 Parfitt  
D760,312 S 6/2016 Lee  
9,360,742 B1 6/2016 Harrison  
D762,759 S 8/2016 Wu  
D763,941 S 8/2016 Smith  
D768,228 S 10/2016 Muhlenkamp, IV  
D768,752 S 10/2016 Silver  
D768,754 S 10/2016 Bennett  
D769,346 S 10/2016 Nguyen  
D773,546 S 12/2016 Nguyen  
D775,679 S 1/2017 Klein  
D776,738 S 1/2017 Clearman  
D776,741 S 1/2017 Parfitt  
D777,239 S 1/2017 Costa  
D783,079 S 4/2017 Lee  
D785,068 S 4/2017 Patsis  
9,635,226 B2 4/2017 Samuels  
D785,696 S 5/2017 Parfitt  
D785,697 S 5/2017 Costa  
D788,208 S \* 5/2017 Muhlenkamp, IV ..... D16/242  
D790,000 S 6/2017 Wang  
D790,002 S 6/2017 Nguyen  
D800,815 S 10/2017 Clearman  
D800,819 S 10/2017 Parfitt  
D800,821 S \* 10/2017 Bergman ..... D16/242  
9,816,666 B2 11/2017 Wang  
D806,775 S 1/2018 Nguyen  
D808,163 S 1/2018 Song  
9,880,451 B2 1/2018 Clearman  
9,894,278 B2 2/2018 Wei  
9,894,279 B2 2/2018 Wei  
9,903,533 B2 2/2018 Wei  
D816,751 S 5/2018 Harrison  
D819,117 S 5/2018 Lee  
D821,476 S 6/2018 Martin  
D827,696 S 9/2018 Crow  
D827,697 S 9/2018 Crow  
10,101,637 B2 10/2018 Peddecord  
D837,861 S 1/2019 Luo  
D840,463 S 2/2019 Nguyen  
D846,620 S 4/2019 Katori  
D848,500 S 5/2019 Miyashita  
D849,084 S 5/2019 Hu  
D850,520 S 6/2019 Voss  
D851,155 S 6/2019 Hu  
D854,597 S 7/2019 Gao  
D856,391 S 8/2019 Liu  
D857,081 S 8/2019 Kuwabara  
D861,761 S 10/2019 Bergman  
D867,419 S 11/2019 Liu  
D867,420 S 11/2019 Zhang  
D867,427 S 11/2019 Bai  
D868,871 S 12/2019 Nguyen  
D869,539 S 12/2019 Hu  
D871,480 S 12/2019 Hu  
D872,156 S 1/2020 Zhao  
D873,894 S 1/2020 Huang  
D880,567 S 4/2020 Zhang  
D880,569 S 4/2020 Zhang  
D881,254 S 4/2020 Guo  
D884,061 S 5/2020 Arens  
D888,792 S 6/2020 Luo  
D890,835 S 7/2020 Nguyen  
D891,500 S 7/2020 Tang  
D891,508 S 7/2020 Hathway

(56)

References Cited

U.S. PATENT DOCUMENTS

D892,904	S	8/2020	Dearsley	
D904,498	S	12/2020	Lim	
D907,680	S	1/2021	Nguyen	
D908,778	S	1/2021	Xu	
D909,450	S	2/2021	Grant	
D911,411	S	2/2021	Coster	
D911,412	S	2/2021	Alberstein	
D912,120	S	3/2021	Druker	
D920,419	S	5/2021	Muhlenkamp, IV	
D921,084	S	6/2021	Muhlenkamp, IV	
D924,297	S	7/2021	Imai	
D926,853	S	8/2021	Wei	
D929,489	S	8/2021	Coster	
D933,115	S	10/2021	Druker	
D934,945	S	11/2021	Wu	
D935,506	S	11/2021	Tan	
D939,608	S	12/2021	Han	
D941,904	S	1/2022	Coster	
11,258,988	B1	2/2022	Douglas Dudley	
D946,071	S	3/2022	Muhlenkamp	
D946,072	S	3/2022	Muhlenkamp	
D953,404	S	5/2022	Au	
D953,406	S	5/2022	Druker	
D954,125	S	6/2022	Muhlenkamp	
D954,128	S	6/2022	Coster	
D954,776	S	6/2022	Muhlenkamp	
D957,503	S *	7/2022	Coster	D16/219
D967,227	S *	10/2022	Sun	D16/202
D971,287	S	11/2022	Chiu	
D978,225	S	2/2023	Kaneko	
D998,017	S *	9/2023	Nguyen	D16/219
2002/0046218	A1	4/2002	Gilbert	
2007/0071423	A1	3/2007	Fantone	
2008/0152337	A1	6/2008	Gartner	
2011/0317065	A1	12/2011	Lin	
2014/0185853	A1	7/2014	Aihara	
2014/0198932	A1	7/2014	Parkins	
2014/0226055	A1	8/2014	Schmidt	
2015/0168815	A1	6/2015	Chen	
2015/0316835	A1	11/2015	Scott	
2015/0326748	A1	11/2015	Tisch	
2016/0004142	A1	1/2016	Zhang	
2016/0100083	A1	4/2016	Harrison	
2016/0229556	A1	8/2016	Zhou	
2016/0246162	A1	8/2016	Niemeyer	
2017/0059967	A1	3/2017	Harrison	
2017/0192341	A1	7/2017	Casarez	
2019/0079373	A1	3/2019	Wang	
2019/0161208	A1	5/2019	Sun	
2022/0053118	A1	2/2022	Nashizawa	

OTHER PUBLICATIONS

Google Express IGoPro Karma Harness for Hero4 Black/Silver Camera—AGFHA-001 , first reviewed on Mar. 17, 2017, © 2018 Google [online], [site visited Mar. 16, 2018]. Available from Internet, <URL: <https://goo.gl/hugSGv/>> 1 page.

GoPro i Shop i Mounts & Accessories, posted on Nov. 16, 2017, © 2018 GoPro, Inc. [online], [site visited Mar. 16, 2018]. Available from Internet, <URL: <https://shop.gopro.com/mounts-accessories/>> (13 Pgs).

GoPro The Frame for Hero5 Black. [online] Published date unknown. Retrieved on Oct. 26, 2016 from <URL: <https://www.bhphotovideo.com/c/product/1274422-REG/gopro.sub.--aafm.sub.--001.sub.-frame.sub.--for.sub.-hero5.html>>. 3 pages.

GoPro, “Karma Stabilizer,” Date Unknown, two pages. [Online] [Retrieved Nov. 2, 2016] Retrieved from the Internet <<http://shop.gopro.com/accessories-2/karma-stabilizer/AGMBL-001.html>>. (2 pages).

Linxv i Action Camera Accessories i Action Camera Strap, posted on Jun. 4, 2016, © 2012 Avada [online], [site visited Mar. 16, 2018]. Available from Internet, <URL: <http://www.linxv.com/action-camera-accessories/action-camera-strap/>> (4 Pgs).

Silicon Sleeve Cases for the Frame of Your Gopro Hero 5 , retrieved from URL: <https://www.amazon.com/Silicone-Sleeve-Cases-Frame-Gopro/dp/B01NCQ3GOY>, retrieved Mar. 30, 2018 (6 pages).

Silicon Sleeve for GoPro Her04 Housing—Gocase, retrieved from URL: <https://www.gocase.com/products/silicon-sleeve-for-gopro-hero4-housing>, retrieved Mar. 30, 2018 (2 pages).

Silicone Sleeve Cases for The Frame of your Gopro Hero 5 (1x Frame / 1x Camera Case, Blue + Black), URL: [https://www.amazon.com/dp/B01MR00OPJ/ref=asc\\_df\\_B01MR00OPJ5357481/?tag=hyprod-20&creative=395033&creativeASIN=B01MR00OPJ&linkCode=df0&hvadid=167139098072&hvpos=1o1&hvnetw=g&hvrand=8248390090609077295&hvpone=&hvtwo=&hvqmt=&hvdev=c&hvdvcmdl=&hvlocint=&hvlocphy=1014237&hvtargid=pla-332273337114](https://www.amazon.com/dp/B01MR00OPJ/ref=asc_df_B01MR00OPJ5357481/?tag=hyprod-20&creative=395033&creativeASIN=B01MR00OPJ&linkCode=df0&hvadid=167139098072&hvpos=1o1&hvnetw=g&hvrand=8248390090609077295&hvpone=&hvtwo=&hvqmt=&hvdev=c&hvdvcmdl=&hvlocint=&hvlocphy=1014237&hvtargid=pla-332273337114), retrieved Mar. 30, 2018 (6 pages).

Suction Cup & Locking Arm. Online, published date unknown. Retrieved on Jan. 11, 2018 from URL: <https://joby.com/suction-cup-with-locking-arm> (1 page).

The Frame. [online] Published date unknown. Retrieved on Oct. 24, 2016 from <URL: <http://shop.gopro.com/accessories-2/the-frame/ANDFR-302.html>>. 3 pages.

United States Office Action, U.S. Appl. No. 29/548,666, dated Nov. 17, 2016, 8 pages.

\* cited by examiner

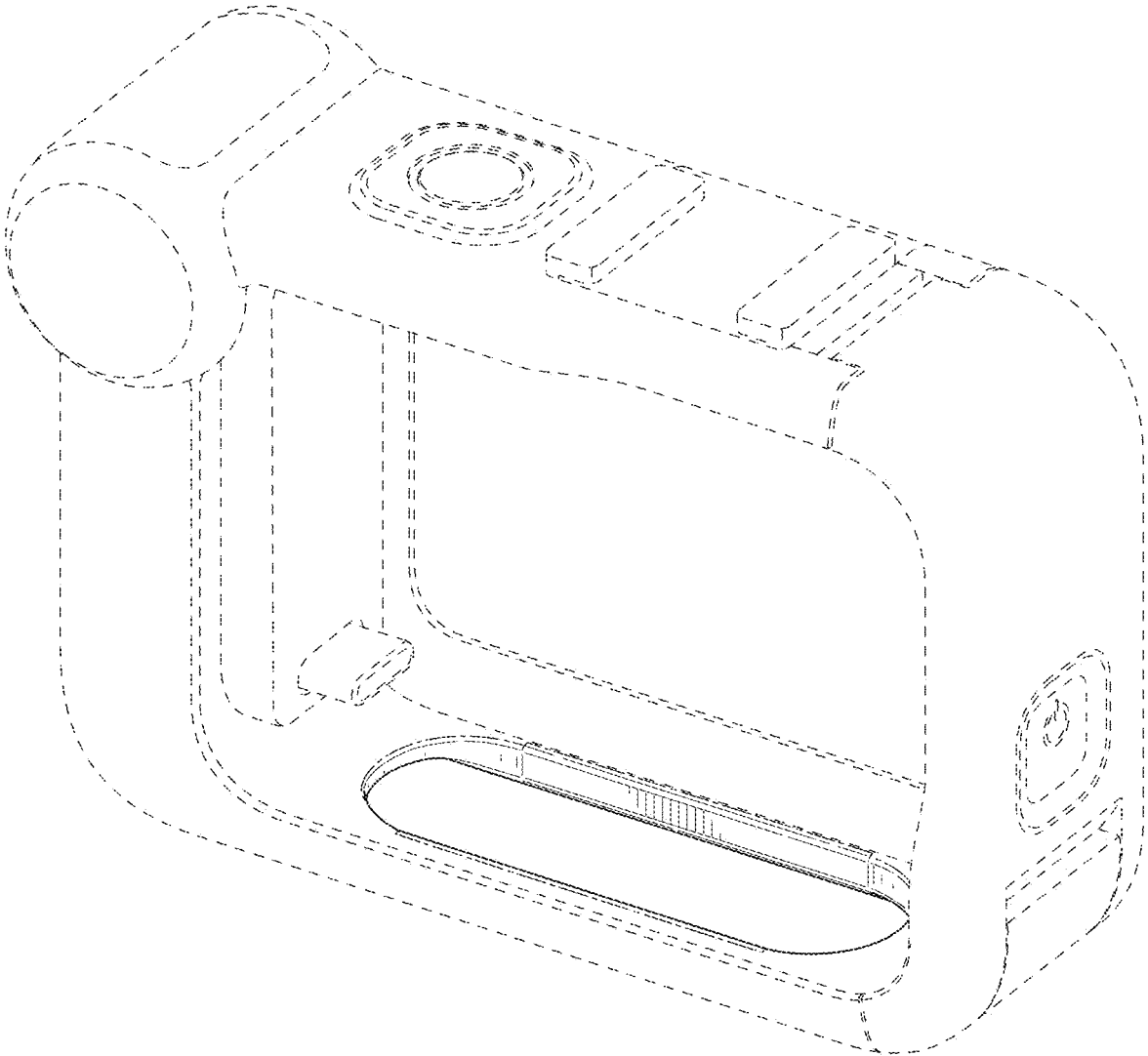


FIG. 1

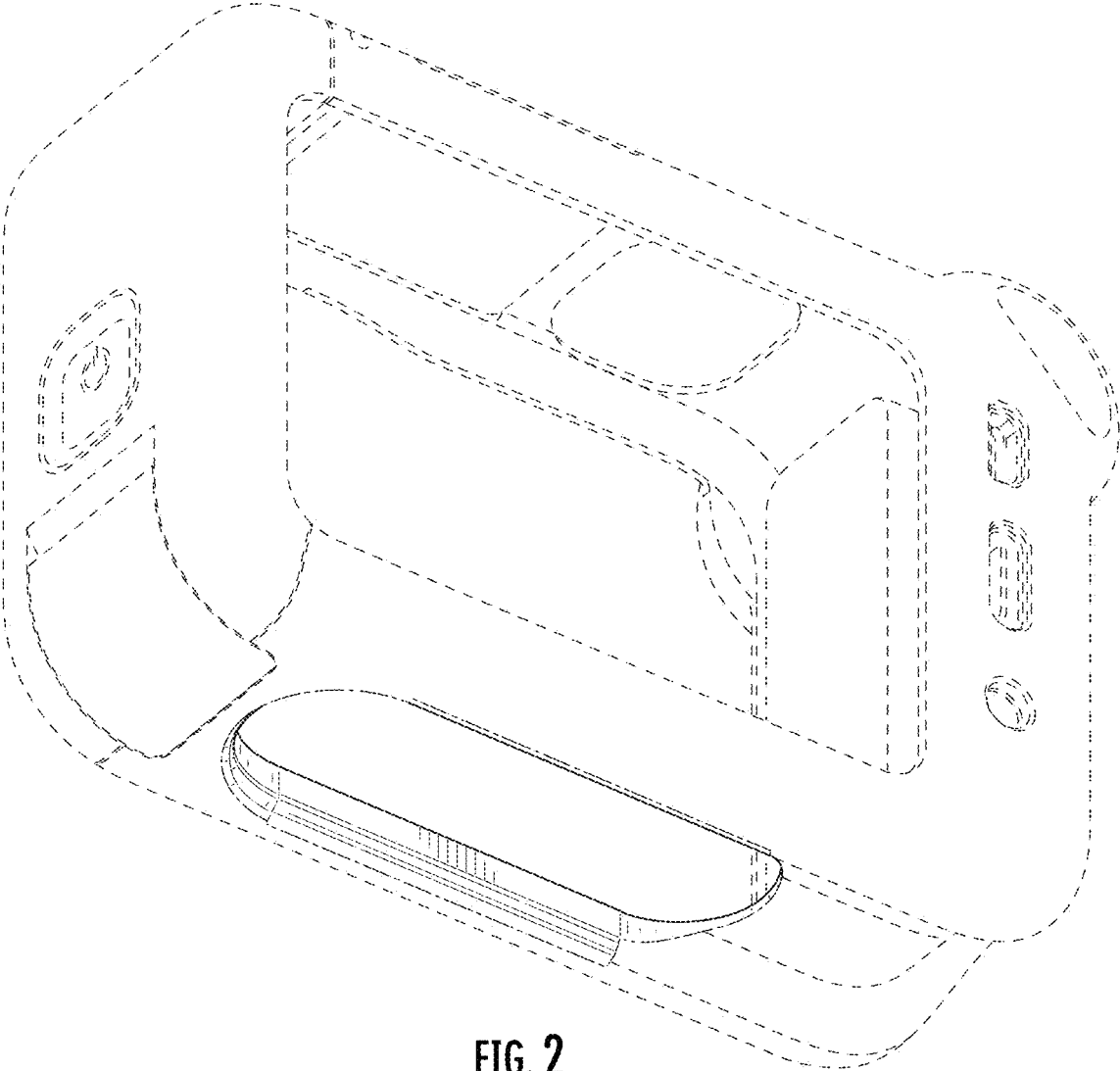


FIG. 2

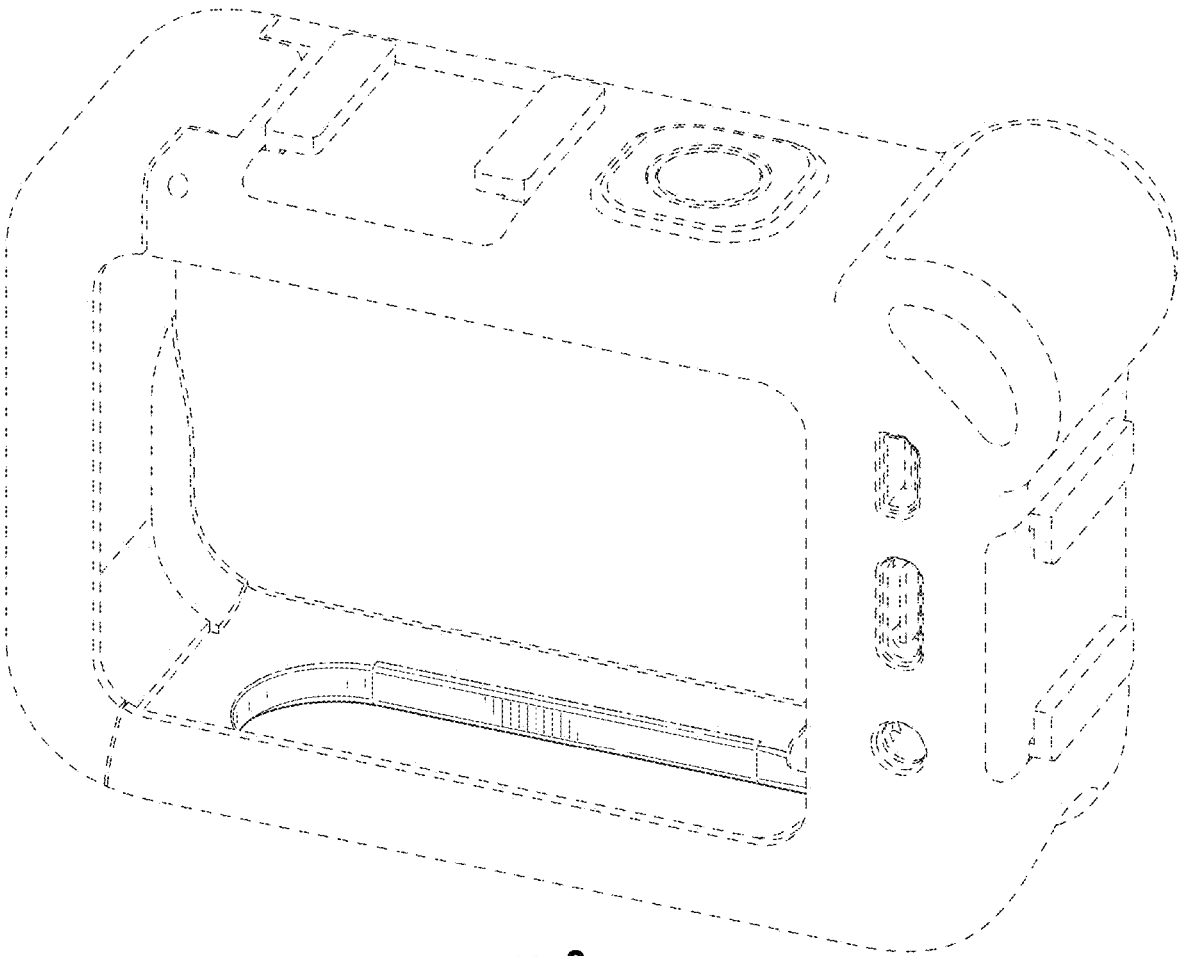


FIG. 3

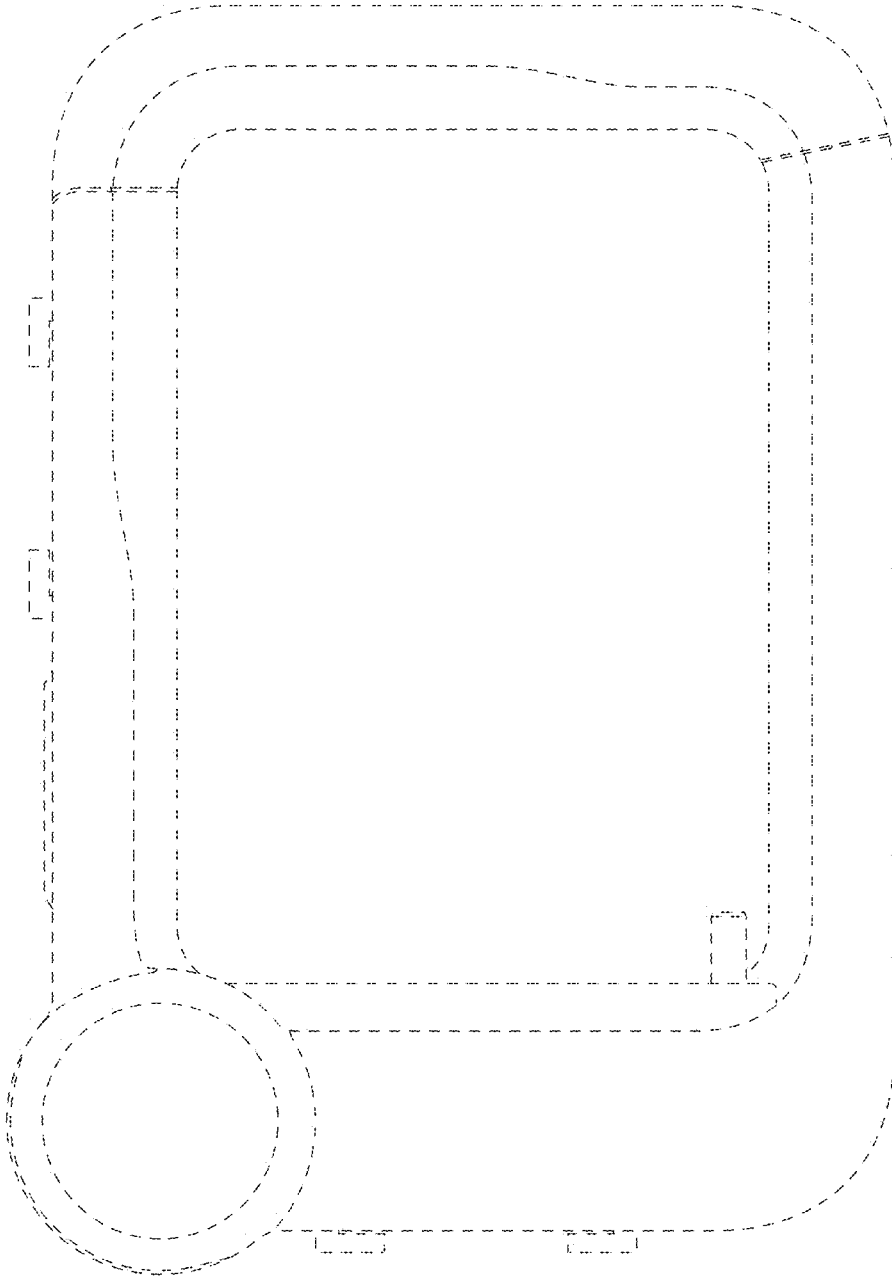


FIG. 4

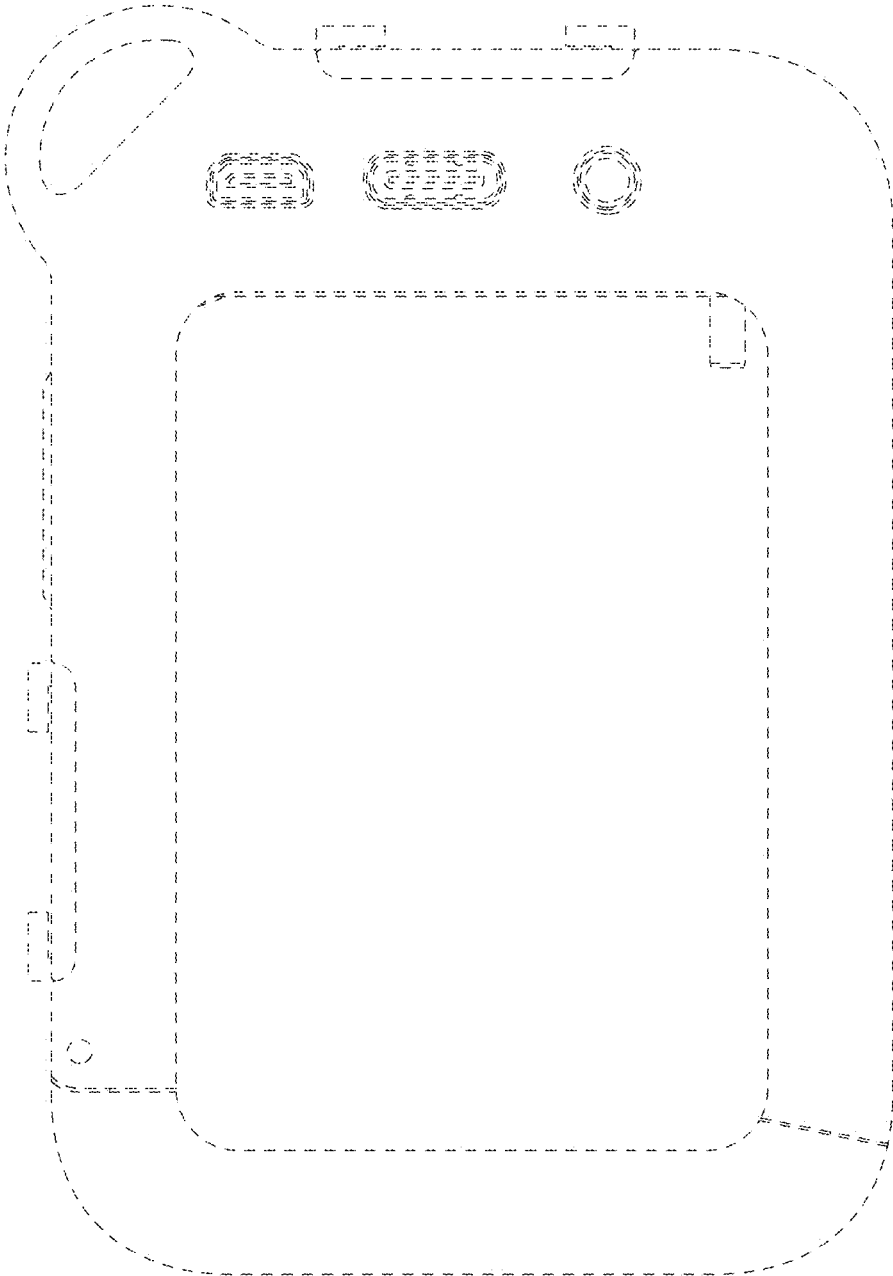


FIG. 5



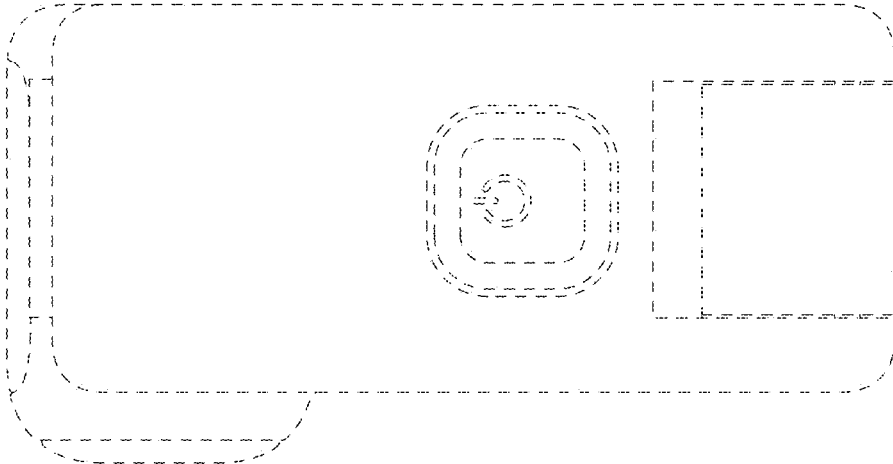


FIG. 7

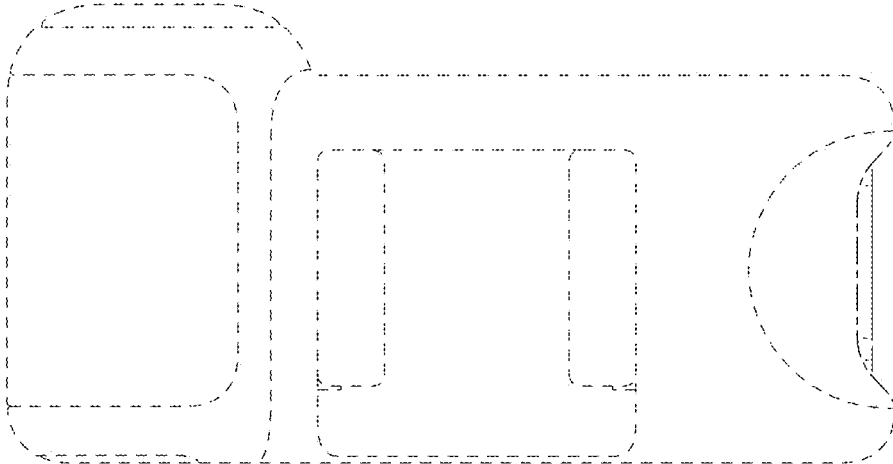


FIG. 6

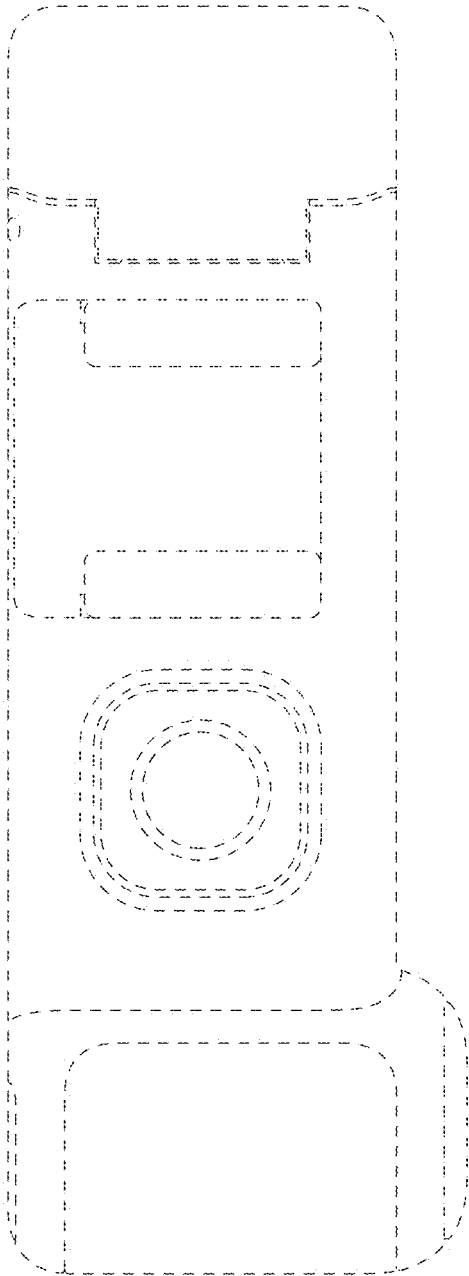


FIG. 8

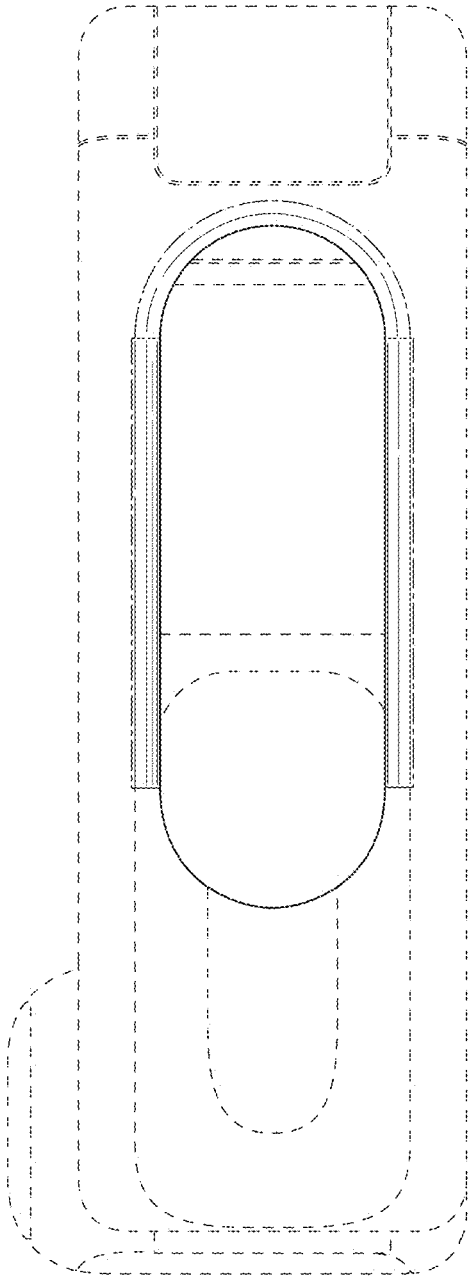


FIG. 9