

(19) World Intellectual Property Organization
International Bureau



(43) International Publication Date
14 June 2001 (14.06.2001)

PCT

(10) International Publication Number
WO 01/42744 A3

(51) International Patent Classification⁷: A61B 5/08

MN 55447 (US). LICHTER, Patrick, A. [US/US]; 14755 27th Avenue, North, Plymouth, MN 55447 (US).

(21) International Application Number: PCT/US00/42395

(22) International Filing Date:
30 November 2000 (30.11.2000)

(74) Agent: UXA, Frank, J.; Stout, Uxa, Buyan & Mullins, LLP, 4 Venture, Suite 300, Irvine, CA 92618 (US).

(25) Filing Language: English

(26) Publication Language: English

(30) Priority Data:
60/168,203 30 November 1999 (30.11.1999) US

(81) Designated States (national): AE, AG, AL, AM, AT, AU, AZ, BA, BB, BG, BR, BY, BZ, CA, CH, CN, CR, CU, CZ, DE, DK, DM, DZ, EE, ES, FI, GB, GD, GE, GH, GM, HR, HU, ID, IL, IN, IS, JP, KE, KG, KP, KR, KZ, LC, LK, LR, LS, LT, LU, LV, MA, MD, MG, MK, MN, MW, MX, MZ, NO, NZ, PL, PT, RO, RU, SD, SE, SG, SI, SK, SL, TJ, TM, TR, TT, TZ, UA, UG, US, UZ, VN, YU, ZA, ZW.

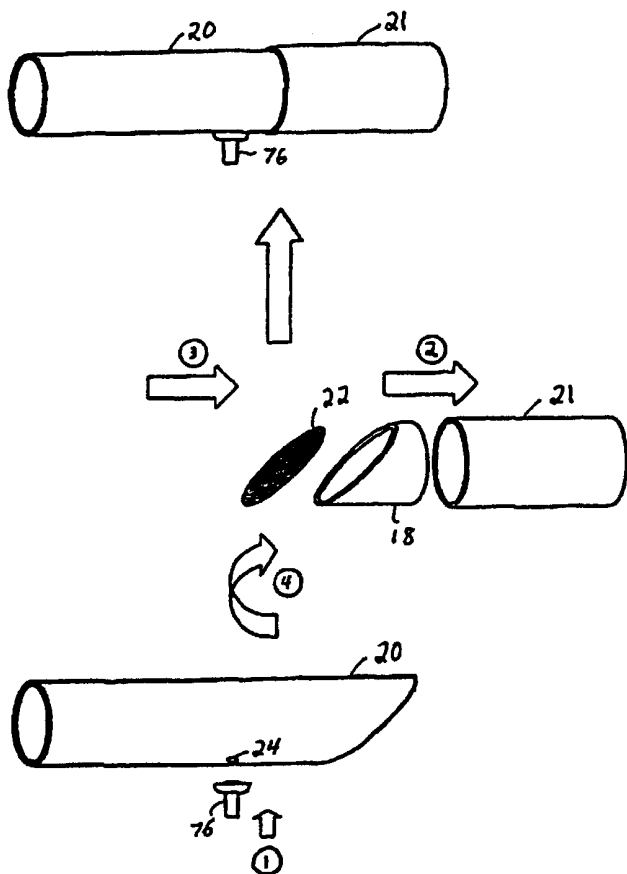
(71) Applicant (for all designated States except US): QRS DIAGNOSTIC, LLC. [US/US]; 14755 27th Avenue, North, Plymouth, MN 55447 (US).

(84) Designated States (regional): ARIPO patent (GH, GM, KE, LS, MW, MZ, SD, SL, SZ, TZ, UG, ZW), Eurasian patent (AM, AZ, BY, KG, KZ, MD, RU, TJ, TM), European patent (AT, BE, CH, CY, DE, DK, ES, FI, FR, GB, GR, IE, IT, LU, MC, NL, PT, SE, TR), OAPI patent (BF, BJ, CF, CG, CI, CM, GA, GN, GW, ML, MR, NE, SN, TD, TG).

(72) Inventors; and
(75) Inventors/Applicants (for US only): HAMILTON, Douglas, L. [US/US]; 14755 27th Avenue, North, Plymouth,

[Continued on next page]

(54) Title: SLANT FABRIC SPIROMETER DESIGN



(57) Abstract: The present air tube assembly includes a planar resistive element (22) which is disposed in the hollow space of an air tube between a first tubular segment (18) and a second tubular segment (20) for use with a spirometer. The resistive element is formed of a fabric material and is disposed within the air tube at a slant angle.



WO 01/42744 A3



Published:

— with international search report

For two-letter codes and other abbreviations, refer to the "Guidance Notes on Codes and Abbreviations" appearing at the beginning of each regular issue of the PCT Gazette.

(88) Date of publication of the international search report:

7 March 2002

INTERNATIONAL SEARCH REPORT

International application No.

PCT/US00/42395

A. CLASSIFICATION OF SUBJECT MATTER

IPC(7) : A61B 5/08
 US CL : 600/529,538

According to International Patent Classification (IPC) or to both national classification and IPC

B. FIELDS SEARCHED

Minimum documentation searched (classification system followed by classification symbols)
 U.S. : 600/529,538

Documentation searched other than minimum documentation to the extent that such documents are included in the fields searched

Electronic data base consulted during the international search (name of data base and, where practicable, search terms used)
 USPAT, EPO, JPO, DERWENT; search terms: spirometer, air tube, resistive element, linear pressure response, mouthpiece, oval, elliptical, slant, angle

C. DOCUMENTS CONSIDERED TO BE RELEVANT

Category *	Citation of document, with indication, where appropriate, of the relevant passages	Relevant to claim No.
A	US 5,743,270 A (GAZZARA et al.) 28 April 1998 (28.04.98)	30-34
A	US 5,715,831 A (JOHNSON) 10 February 1998 (10.02.98)	1-29, 35-40
A	US 5,564,432 A (THOMSON) 15 October 1996 (15.10.96)	1-29, 35-40
A	US 5,360,009 A (HERSKOVITZ) 1 November 1994 (01.11.94)	1-29
A	US 5,137,026 A (WATERSON) 11 August 1992 (11.08.92)	1-29

Further documents are listed in the continuation of Box C.

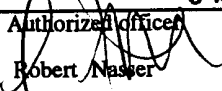
See patent family annex.

* Special categories of cited documents:	"T"
"A" document defining the general state of the art which is not considered to be of particular relevance	later document published after the international filing date or priority date and not in conflict with the application but cited to understand the principle or theory underlying the invention
"E" earlier application or patent published on or after the international filing date	"X" document of particular relevance; the claimed invention cannot be considered novel or cannot be considered to involve an inventive step when the document is taken alone
"L" document which may throw doubts on priority claim(s) or which is cited to establish the publication date of another citation or other special reason (as specified)	"Y" document of particular relevance; the claimed invention cannot be considered to involve an inventive step when the document is combined with one or more other such documents, such combination being obvious to a person skilled in the art
"O" document referring to an oral disclosure, use, exhibition or other means	"&" document member of the same patent family
"P" document published prior to the international filing date but later than the priority date claimed	

Date of the actual completion of the international search
 14 May 2001 (14.05.2001)

Date of mailing of the international search report
02 AUG 2001

Name and mailing address of the ISA/US
 Commissioner of Patents and Trademarks
 Box PCT
 Washington, D.C. 20231
 Facsimile No. (703)305-3230

Authorized officer

 Robert Nasier
 Telephone No. (703) 308-0858