



US00D325634S

# United States Patent [19]

[11] Patent Number: **Des. 325,634**

Sweeney, Jr.

[45] Date of Patent: **\*\* Apr. 21, 1992**

[54] **PORTABLE SPIROMETER**

4,635,647 1/1987 Choksi ..... 128/725 X

[75] Inventor: **Paul B. Sweeney, Jr., Syracuse, N.Y.**

### OTHER PUBLICATIONS

Vitalograph publication, *The Compact Spirometer.*

[73] Assignee: **Welch Allyn, Inc., Skaneateles Falls, N.Y.**

*Primary Examiner—Stella Reid*

*Attorney, Agent, or Firm—Wall and Roehrig*

[\*\*] Term: **14 Years**

### [57] CLAIM

[21] Appl. No.: **501,503**

The ornamental design for a portable spirometer, as shown and described.

[22] Filed: **Mar. 30, 1990**

[52] U.S. Cl. .... **D24/164**

[58] Field of Search ..... **D24/186, 164; 128/719, 128/721, 725, 727**

### DESCRIPTION

FIG. 1 is a perspective view of a portable spirometer, showing my new design;

FIG. 2 is a front elevational view thereof;

FIG. 3 is a rear elevational view thereof;

FIG. 4 is a left end elevational view thereof;

FIG. 5 is a right end elevational view thereof;

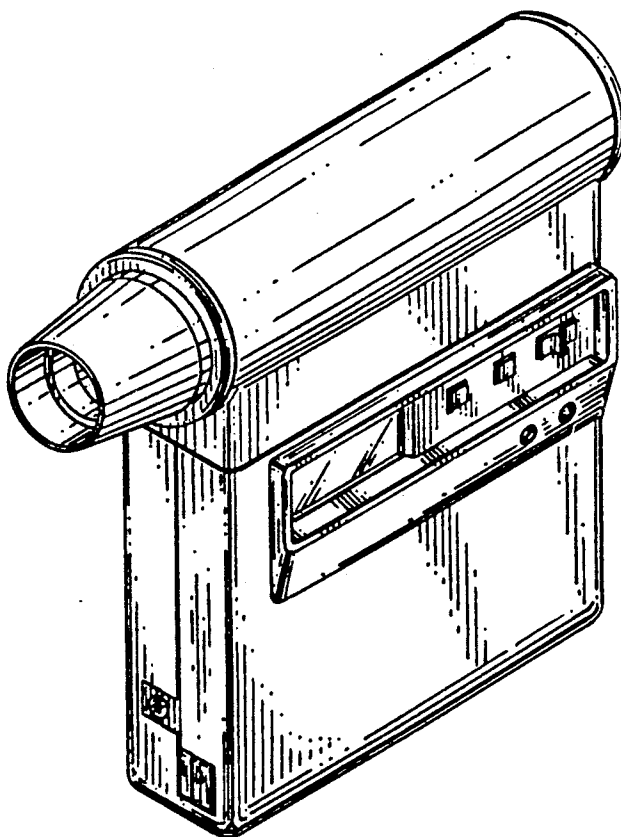
FIG. 6 is a top plan view thereof; and,

FIG. 7 is a bottom plan view thereof.

### [56] References Cited

#### U.S. PATENT DOCUMENTS

- 3,922,525 11/1975 Kozak et al. .... 128/725
- 4,138,105 2/1979 Hunger et al. .... 128/725 X
- 4,391,283 7/1983 Sharpless et al. .... 128/725



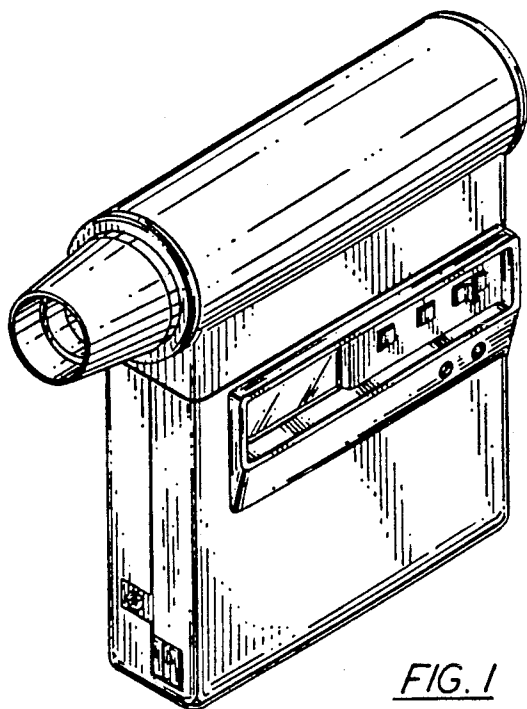


FIG. 1

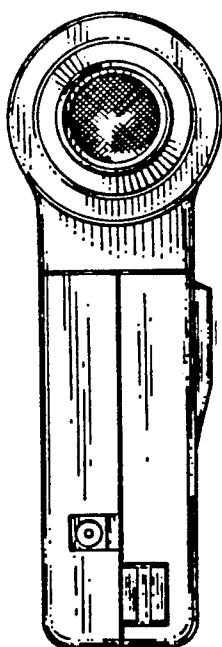


FIG. 4

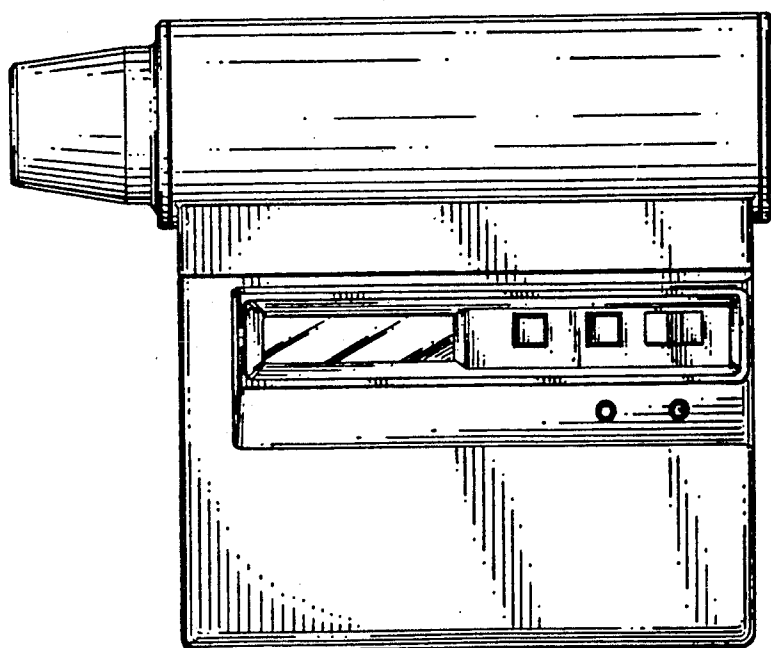


FIG. 2

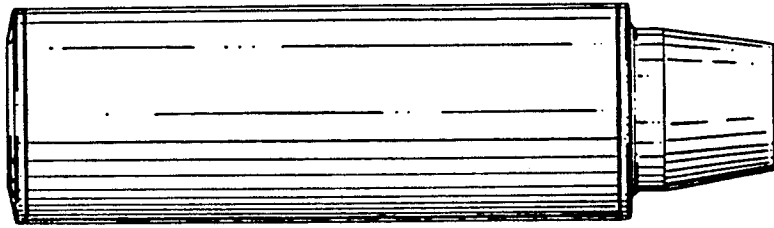


FIG. 6

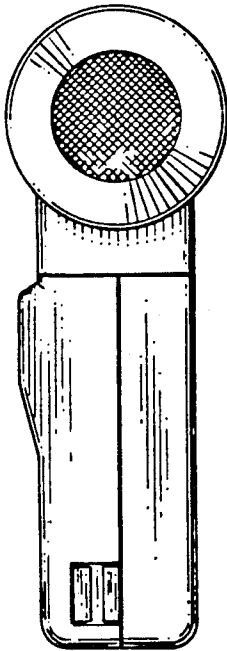


FIG. 5

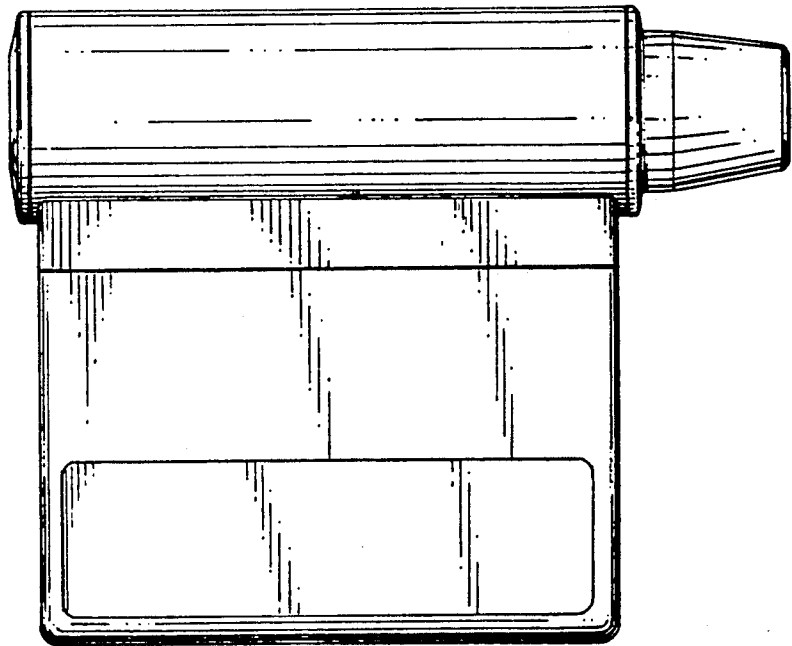


FIG. 3

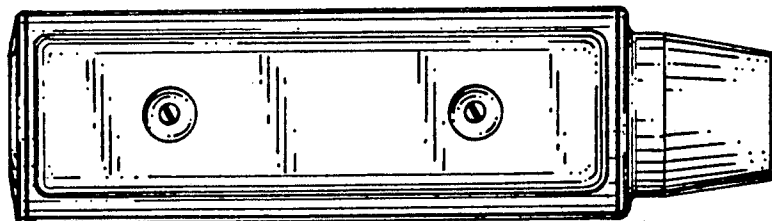


FIG. 7