



(12) **United States Design Patent**
Chong et al.

(10) **Patent No.:** **US D1,003,161 S**
(45) **Date of Patent:** **** Oct. 31, 2023**

(54) **CAP**

(71) Applicant: **Conopco, Inc.**, Englewood Cliffs, NJ (US)

(72) Inventors: **Heesop Chong**, Brooklyn, NY (US); **Mariana Escobar Jimenez**, Brooklyn, NY (US); **Michelle C. Mak**, Brooklyn, NY (US); **Akriti Malhotra**, Brooklyn, NY (US); **Laurent Jean-Marie Hainaut**, Brooklyn, NY (US); **Marco Leone**, Brooklyn, NY (US)

(73) Assignee: **CONOPCO, INC.**, Englewood Cliffs, NJ (US)

(**) Term: **15 Years**

(21) Appl. No.: **29/776,012**

(22) Filed: **Mar. 26, 2021**

(30) **Foreign Application Priority Data**

Oct. 2, 2020 (EM) 008193577-0003

(51) **LOC (14) Cl.** **09-07**

(52) **U.S. Cl.**
USPC **D9/449**

(58) **Field of Classification Search**

USPC D7/387, 391, 392.1, 396.1, 396.2, 396.6, D7/388, 402, 403; D9/434, 435, 436, D9/438, 439, 440, 442, 443, 445, 446, D9/449, 452, 453, 454, 455, 456; D3/201, 273, 304, 315, 318, 319, 323; D23/209, 258, 259, 260, 261; D24/127, D24/162, 193, 194, 197, 199, 224, 227
CPC B25B 13/5008; B25B 15/008; B65D 1/02; B65D 1/0233; B65D 1/08; B65D 1/10; B65D 41/14; B65D 41/16; B65D 41/3428; B65D 55/16; B65D 43/169; B65D 43/26; B65D 43/08; B65D 2543/00972; B65D 2525/285; B65D 2525/286; B65D

(Continued)

(56) **References Cited**

U.S. PATENT DOCUMENTS

D210,067 S 2/1968 Abe
5,078,296 A * 1/1992 Amidzich B65D 55/16
220/838

(Continued)

FOREIGN PATENT DOCUMENTS

ES I0111398-0005 6/1987
GB 4003201 3/2008

(Continued)

OTHER PUBLICATIONS

Joy Snap Top Closure: Site Visited (Sep. 24, 2022). Available from Internet URL: <https://www.aptar.com/products/personal-care-home/joy-snap-top-closure/>.*

(Continued)

Primary Examiner — Catherine S Posthauer
(74) *Attorney, Agent, or Firm* — Foley & Lardner LLP

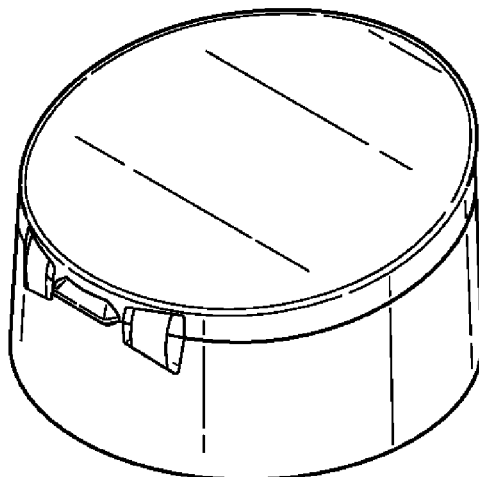
(57) **CLAIM**

We claim the ornamental design for a cap, as shown and described.

DESCRIPTION

FIG. 1 is a perspective view of a cap;
FIG. 2 is a front view of the cap of FIG. 1;
FIG. 3 is a rear view of the cap of FIG. 1;
FIG. 4 is a left side view of the cap of FIG. 1;
FIG. 5 is a right side view of the cap of FIG. 1;
FIG. 6 is a top view of the cap of FIG. 1; and
FIG. 7 is a bottom view of the cap of FIG. 1.
The broken lines are shown for the purpose of illustrating parts of the article that form no part of the claimed design.

1 Claim, 2 Drawing Sheets



(58) **Field of Classification Search**
 CPC 2525/287; B65D 2525/288; B65D 53/02;
 B65D 83/0805; B65D 75/5894; B65D
 43/088; A47G 19/24; B67D 3/00
 See application file for complete search history.

(56) **References Cited**

U.S. PATENT DOCUMENTS

D333,618 S	3/1993	Patel et al.	
D334,705 S	4/1993	Pereira et al.	
D353,326 S	12/1994	Abfier et al.	
D392,898 S	3/1998	Butler et al.	
D433,624 S	11/2000	Negre	
D461,718 S	8/2002	Brozell	
D476,561 S	7/2003	Flurer et al.	
D478,815 S	8/2003	Joubert	
D502,099 S	* 2/2005	Lovell	D9/449
D525,136 S	* 7/2006	Bakic	D9/446
D526,202 S	8/2006	Bakic	
D526,568 S	8/2006	Bakic	
D532,309 S	11/2006	Stolle	
D535,880 S	* 1/2007	Penfold	D9/454
D539,141 S	* 3/2007	Penfold	D9/449
D539,144 S	* 3/2007	Penfold	D9/449
D547,184 S	* 7/2007	Kim	D9/449
D573,892 S	7/2008	Moretti	
D581,279 S	* 11/2008	Oates	D9/454
D605,510 S	* 12/2009	Weber	D9/449
D607,726 S	* 1/2010	Wisniewski	D9/449
D608,198 S	* 1/2010	Lohrman	D9/449
D611,831 S	3/2010	Cummings et al.	
D626,411 S	* 11/2010	Lohrman	D9/449
D626,413 S	* 11/2010	Lohrman	D9/449
D640,556 S	* 6/2011	Bragg	D9/449
D640,563 S	6/2011	Simmons et al.	
D641,627 S	* 7/2011	Rosenauer	D9/449
D648,626 S	* 11/2011	Oates	D9/449
D661,984 S	* 6/2012	Jackel	D9/449
D665,261 S	* 8/2012	Mazurkiewicz	D9/449
D666,103 S	8/2012	Blachford et al.	
D702,551 S	* 4/2014	Wisniewski	D9/449
D709,764 S	* 7/2014	Gibb	D9/449
D711,231 S	* 8/2014	Pun	D9/449
D713,723 S	* 9/2014	den Boer	D9/449
D729,623 S	* 5/2015	Mazurkiewicz	D9/449
D766,085 S	* 9/2016	Smith	D9/449
D784,810 S	* 4/2017	Ozamiz	D9/434
D789,200 S	* 6/2017	Deringer	D9/449

D791,590 S	* 7/2017	Jin	D9/449
D796,336 S	9/2017	Pensler	
D801,172 S	* 10/2017	Bentkovski	D9/434
D811,889 S	3/2018	Cheng	
D820,093 S	6/2018	Pontes et al.	
D822,499 S	7/2018	Lalier et al.	
D823,686 S	* 7/2018	Beaudouin	D9/449
D825,333 S	* 8/2018	Ozamiz	D9/449
D833,278 S	* 11/2018	Pellerin	D9/449
D837,650 S	* 1/2019	Rognard	D9/449
D859,154 S	* 9/2019	Skillin	D9/449
D863,962 S	* 10/2019	Bakic	D9/449
D897,213 S	9/2020	Eyal	
D918,719 S	* 5/2021	Tamarindo	D9/446
D923,399 S	* 6/2021	Egorov	D7/396.2
D941,148 S	* 1/2022	Graux	D9/453
D941,149 S	* 1/2022	Graux	D9/453
D942,275 S	2/2022	Sanghavi	
D954,496 S	* 6/2022	Roberts	D9/449

FOREIGN PATENT DOCUMENTS

JP	1708710 S	3/2022
KR	3010704780000	8/2020
RU	78346 S	5/2011
WO	WO-2021/083786 A1	5/2021

OTHER PUBLICATIONS

Dispensing Flip Top Closure: Site Visited (Nov. 7, 2022). Available from URL: https://www.oberk.com/closures/dispensing-caps/dispensing-flip-top-closure/1012010--25mm-white-smooth-side-pp-tapa-capri-dispensing-flip-top-clos%E2%80%A6%201/7.*

Dispensing Flip Top Closure: Site Visited (Nov. 7, 2022). Available from URL: https://www.oberk.com/closures/dispensing-caps/dispensing-flip-top-closure/1010708--24-410-white-pp-double-wall-art850-dispensing-flip-top-closure#.*

Double Wall Bi-Injected Flip Top Closure: Announced (Oct. 31, 2022; online). Site Visited (Nov. 7, 2022). Available from URL: [https://www.giflor.com/products/art-850/.*](https://www.giflor.com/products/art-850/)

Dove Men Care Body & Face Wash. Date first available: Apr. 5, 2017. Site visited: Aug. 15, 2022. Available online: <https://www.amazon.com/Dove-Care-Body-Extra-Fresh/dp/BOOWZTMUJ8> (Year: 2017).

Straight and Silky Keratin Tri-Silk Serum Shampoo. Date first available: Sep. 21, 2017. Site visited: Aug. 15, 2022. Available online: <https://www.dove.com/ph/hair-care/shampoo/straight-and-silky-shampoo.html> (Year: 2017).

* cited by examiner

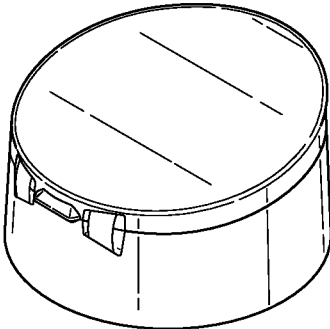


Fig. 1

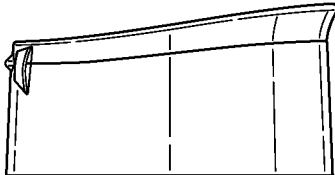


Fig. 2

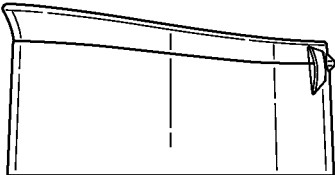


Fig. 3

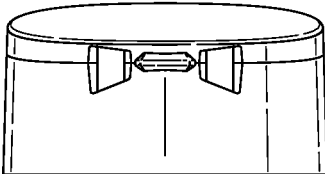


Fig. 4

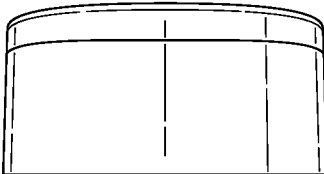


Fig. 5

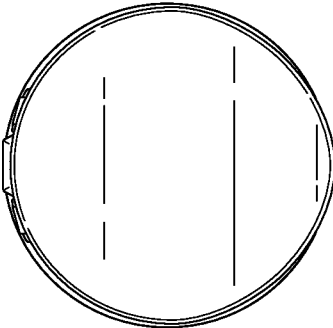


Fig. 6

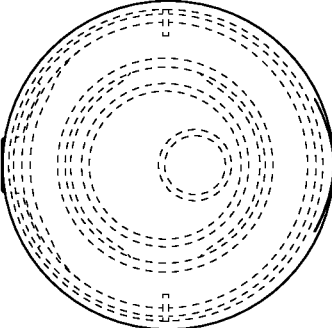


Fig. 7