



US00D940508S

(12) **United States Design Patent**
Thomas

(10) **Patent No.:** **US D940,508 S**

(45) **Date of Patent:** **** Jan. 11, 2022**

(54) **COOLER**

(71) Applicant: **Marcus Thomas**, Beckley, WV (US)

(72) Inventor: **Marcus Thomas**, Beckley, WV (US)

(**) Term: **15 Years**

(21) Appl. No.: **29/723,824**

(22) Filed: **Feb. 11, 2020**

(51) **LOC (13) Cl.** **07-01**

(52) **U.S. Cl.**
USPC **D7/605**

(58) **Field of Classification Search**

USPC D7/605-607, 629, 620, 709, 710;
D3/301, 272-274, 201, 203.1-203.8
CPC F25D 3/08; F25D 3/02; F25D 3/04; F25D
3/06; F25D 3/14; F25D 3/107; F25D
2331/804; F25D 2331/801; B65D 81/38;
B65D 81/3813; B65D 81/3816; B65D
81/3818; B65D 81/382; B65D 81/3823;
B65D 81/3825; B65D 81/3827; B65D
81/383; B65D 81/3832; B65D 81/3834;
B65D 81/3848; B65D 81/3851; B65D
81/3853; B65D 81/3855; B65D 81/3858;
B65D 81/386; B65D 81/3862; B65D
81/3874; A45C 11/20; A45C 3/00; A45C
2003/008

See application file for complete search history.

(56) **References Cited**

U.S. PATENT DOCUMENTS

D792,167 S * 7/2017 Bradley D7/607
D817,722 S * 5/2018 Bradley D7/607

* cited by examiner

Primary Examiner — Terry A Wallace

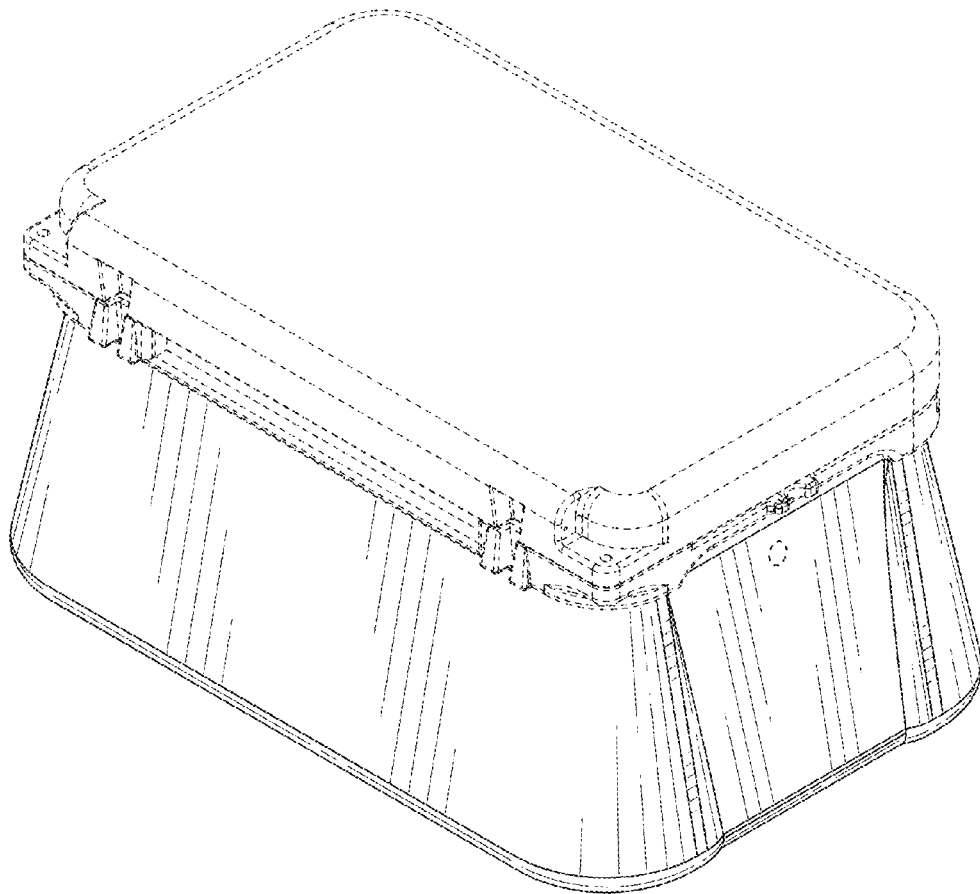
(57) **CLAIM**

The ornamental design for a cooler, as shown and described.

DESCRIPTION

FIG. 1 is a front-top perspective view of a cooler showing my new design;
FIG. 2 is a front-bottom perspective view thereof;
FIG. 3 is a rear-top perspective view thereof;
FIG. 4 is a rear-bottom perspective view thereof;
FIG. 5 is a front elevational view thereof;
FIG. 6 is a rear elevational view thereof;
FIG. 7 is a left elevational view thereof;
FIG. 8 is a right elevational view thereof;
FIG. 9 is a top plan view thereof; and,
FIG. 10 is a bottom plan view thereof.
The broken lines shown are for illustrative purposes only and form no part of the claimed design.

1 Claim, 10 Drawing Sheets



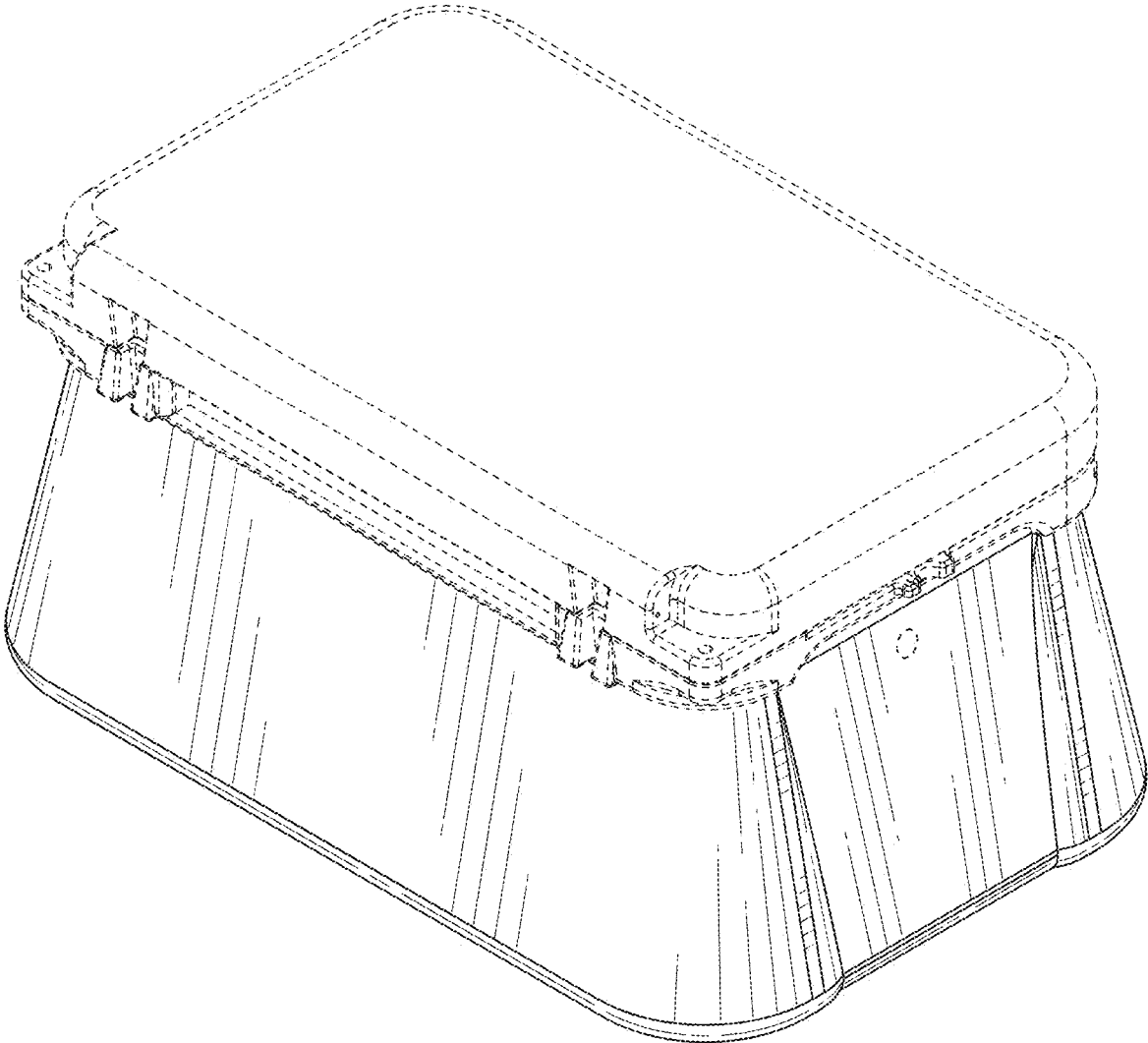


FIG. 1

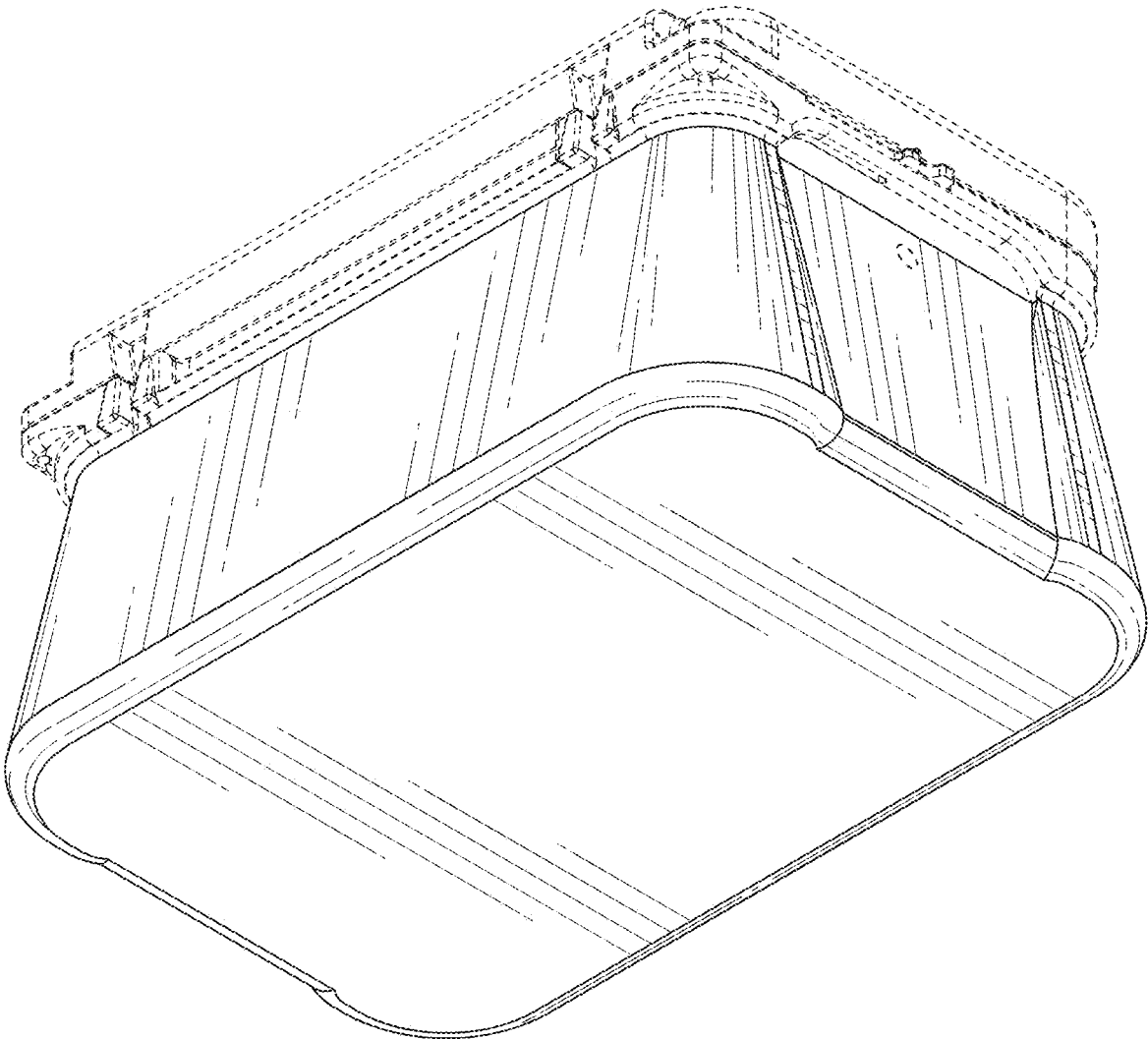


FIG. 2

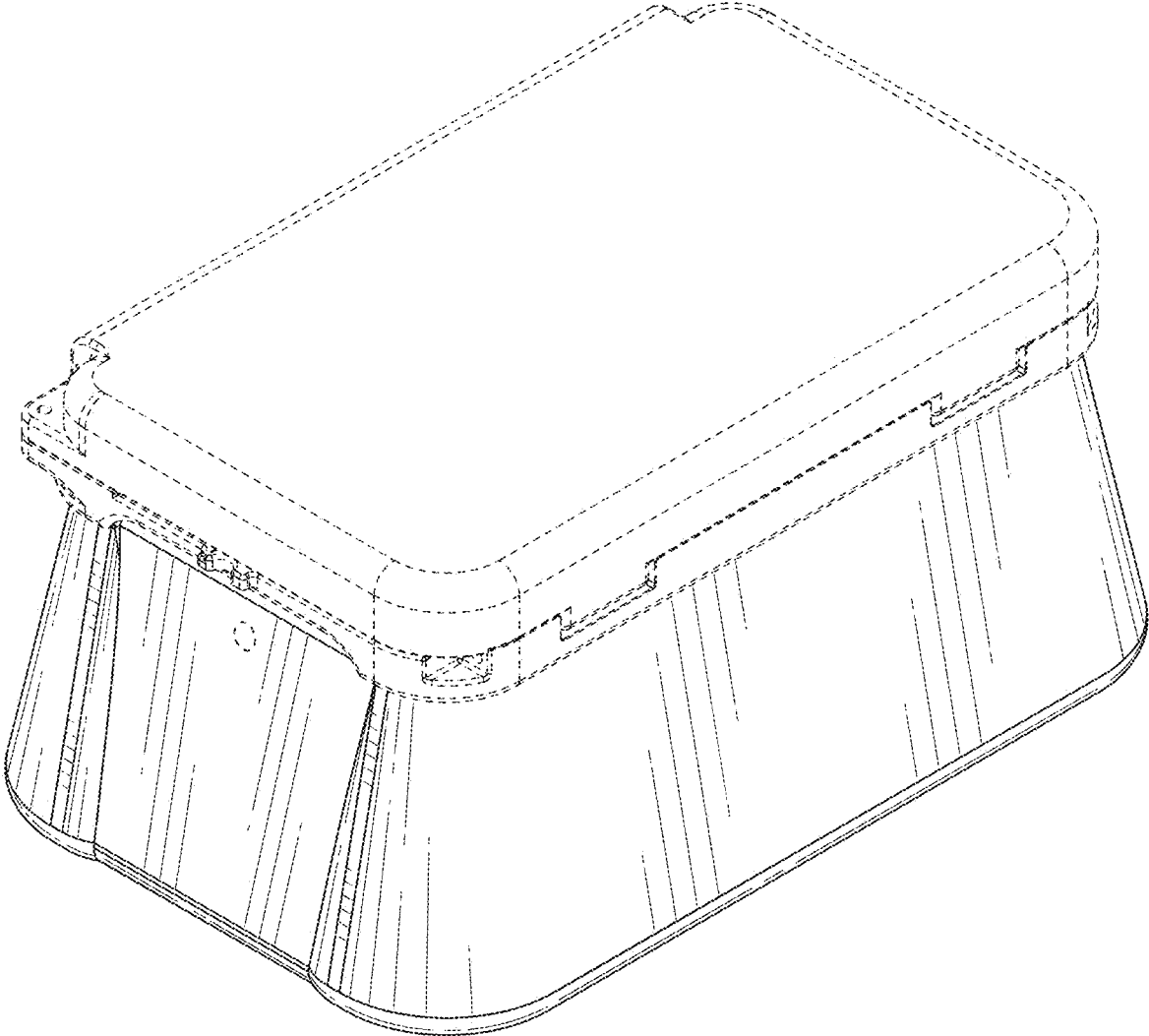


FIG. 3

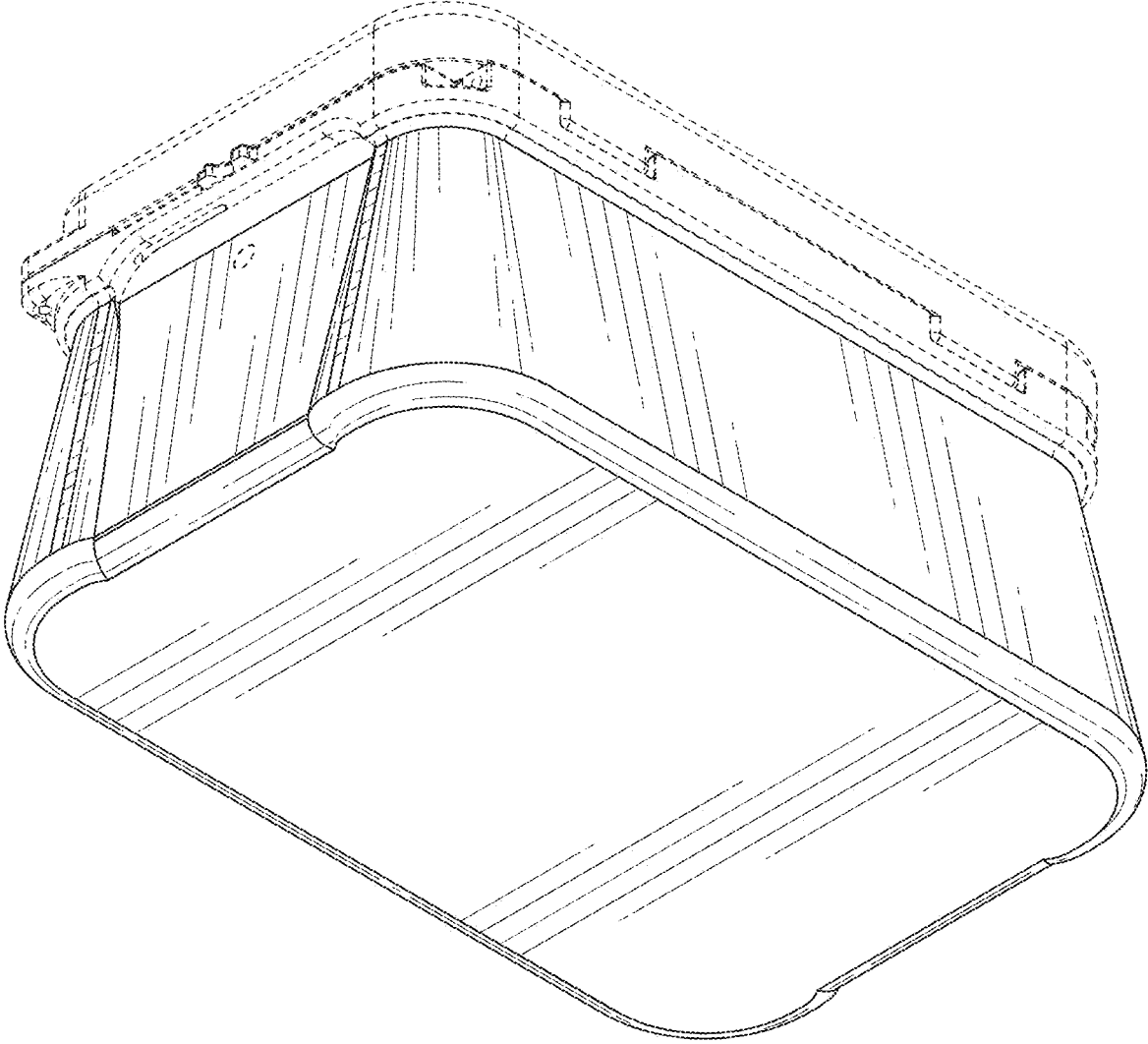


FIG. 4

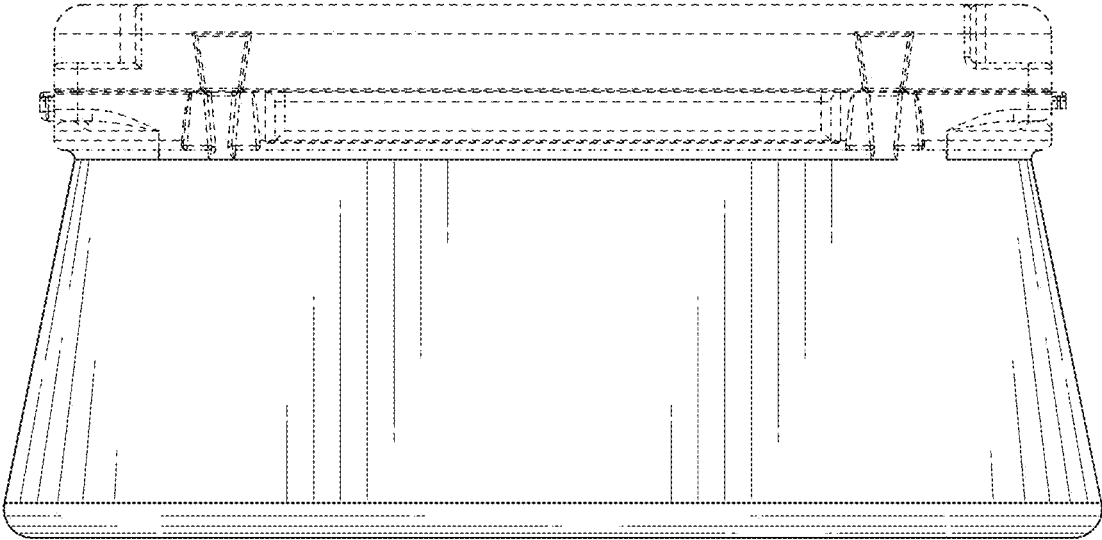


FIG. 5

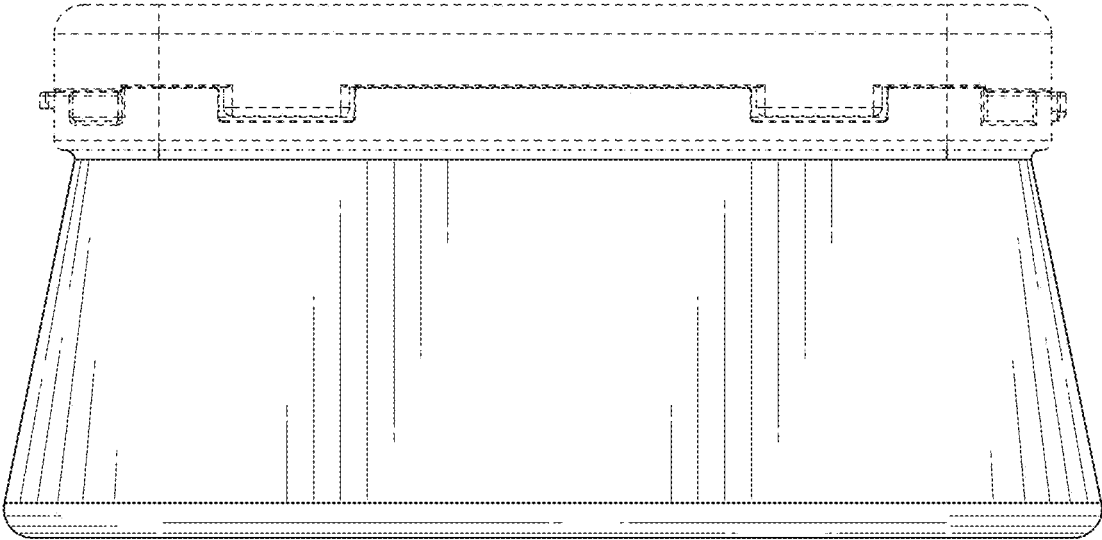


FIG. 6

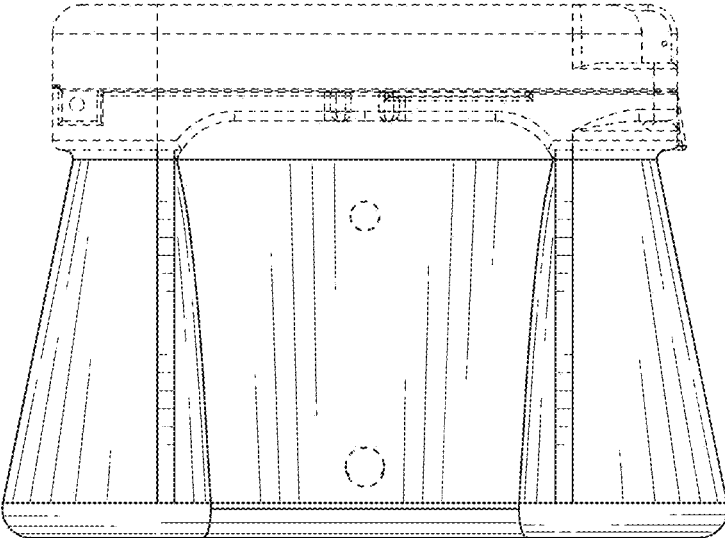


FIG. 7

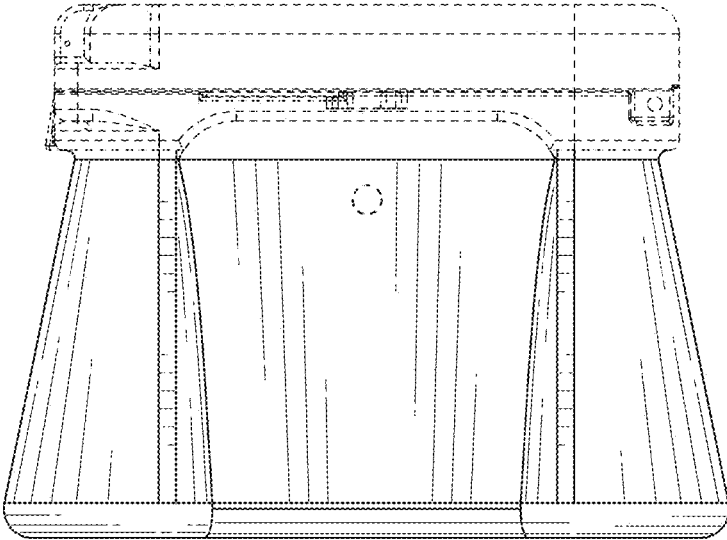


FIG. 8

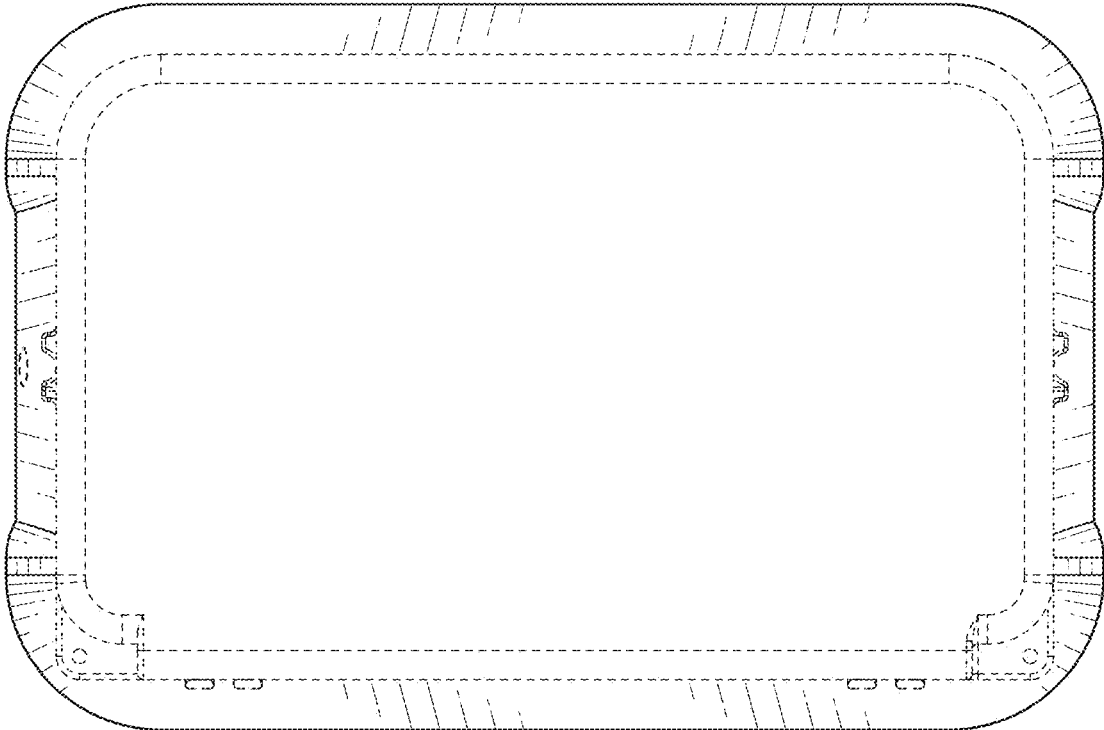


FIG. 9

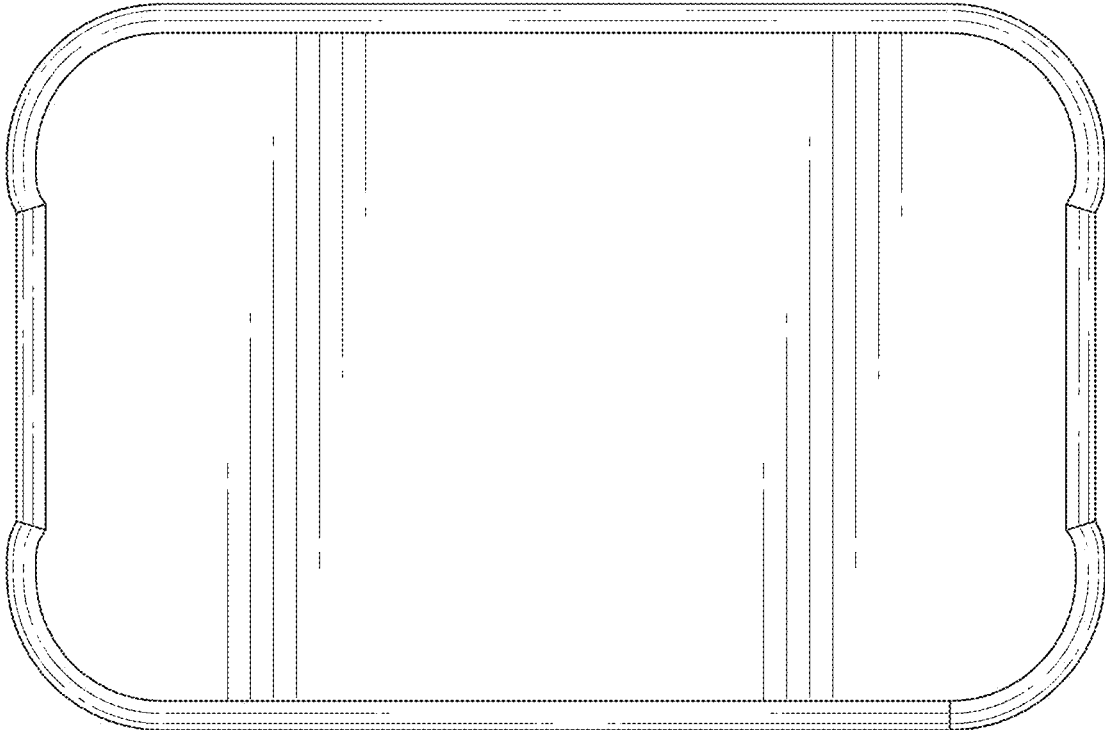


FIG. 10