

# United States Patent [19]

**Weckman**

[11] **Patent Number: Des. 308,337**

[45] **Date of Patent: \*\* Jun. 5, 1990**

- [54] **BOTTLE**
- [75] **Inventor: Richard L. Weckman, Perrysburg, Ohio**
- [73] **Assignee: Owens-Illinois Glass Container Inc., Toledo, Ohio**
- [\*\*] **Term: 14 Years**
- [21] **Appl. No.: 36,817**
- [22] **Filed: Apr. 10, 1987**
- [52] **U.S. Cl. .... D9/404; D9/403**
- [58] **Field of Search .... D9/349-413; D7/70, 300; 215/1 R, 1 C, 1 A, 1 B, 100 R, 100 A, 31-33**

- D. 250,170 11/1978 Strand ..... D9/349
- D. 256,992 9/1980 Kretz ..... D9/403
- D. 260,966 9/1981 Kretz ..... D9/349
- D. 262,778 1/1982 Britt ..... D9/404

### OTHER PUBLICATIONS

Modern Packaging, Jun. 1974, p. 16.  
 Modern Packaging, 10-1976, p. 15, Lavioris Bottle.

*Primary Examiner*—Bernard Ansher  
*Assistant Examiner*—C. Tuttle

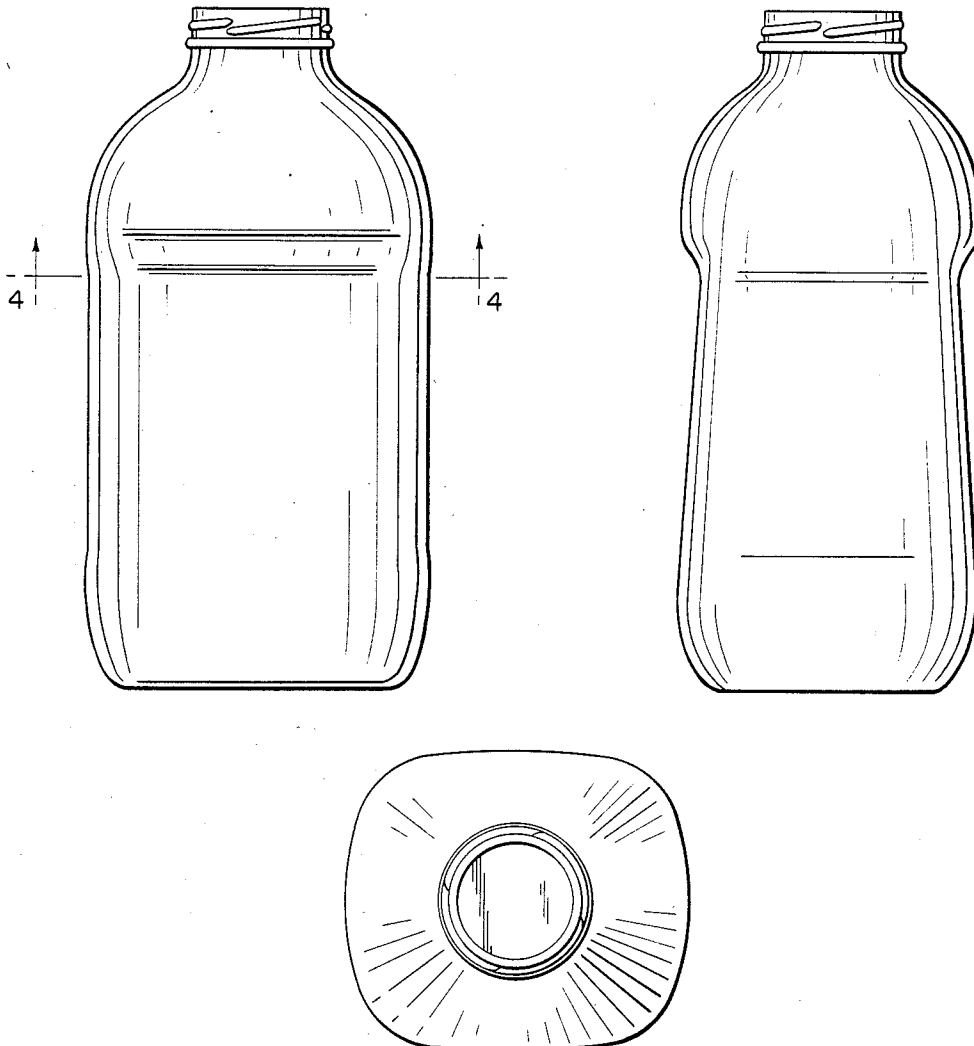
### [57] CLAIM

The ornamental design for a bottle, substantially as shown and described.

### DESCRIPTION

FIG. 1 is a side elevational view of a bottle showing my new design;  
 FIG. 2 is a top plan view thereof;  
 FIG. 3 is an elevation rotated 90° clockwise from FIG. 1; and  
 FIG. 4 is a cross-section view taken at the line 4—4 of FIG. 1.  
 The side opposite that shown in FIG. 1 is the same in appearance as the side shown.

- [56] **References Cited**
- U.S. PATENT DOCUMENTS**
- D. 182,855 5/1958 Sampson ..... D9/404
- D. 201,216 5/1965 Lorenzen ..... D9/408
- D. 208,731 9/1967 Reinsema ..... D9/404
- D. 209,715 12/1967 Ninesling ..... D9/390
- D. 211,156 5/1968 Wilson ..... D9/412
- D. 212,587 11/1968 Shepler ..... D9/404



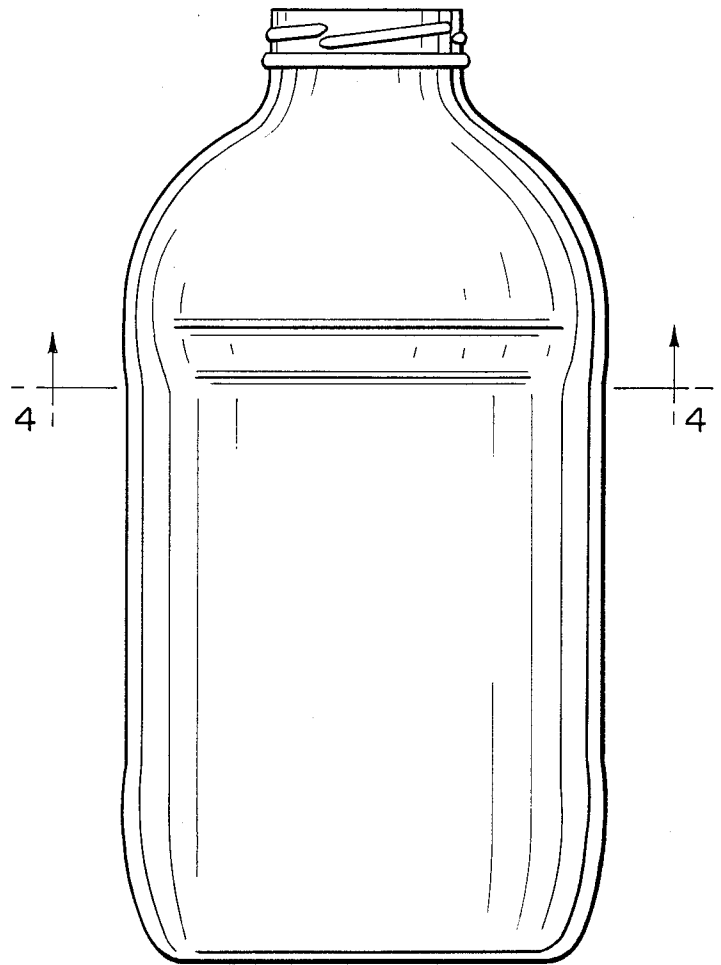


FIG. 1

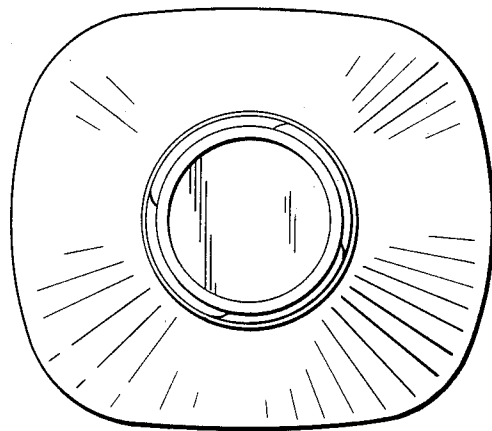


FIG. 2

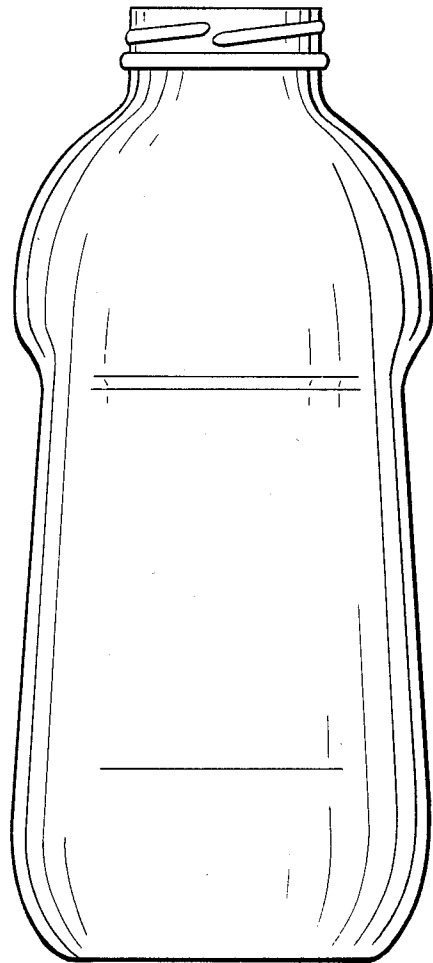


FIG. 3

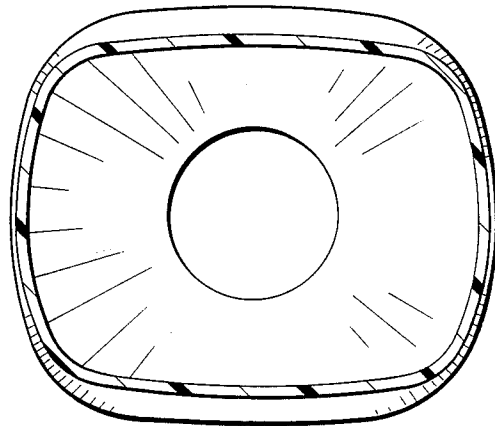


FIG. 4