



(12) **United States Design Patent**
Biddle

(10) **Patent No.:** **US D901,451 S**
(45) **Date of Patent:** **** Nov. 10, 2020**

- (54) **REMOTE CONTROL**
- (71) Applicant: **Amazon Technologies, Inc.**, Seattle, WA (US)
- (72) Inventor: **Jonathan Howard Biddle**, San Francisco, CA (US)
- (73) Assignee: **Amazon Technologies, Inc.**, Seattle, WA (US)
- (**) Term: **15 Years**
- (21) Appl. No.: **29/697,362**
- (22) Filed: **Jul. 8, 2019**

D535,261 S *	1/2007	Daniels	D13/168
D568,299 S	5/2008	Tuli	
D568,827 S *	5/2008	Ikeda	D13/168
D573,957 S	7/2008	Ledbetter et al.	
D584,718 S *	1/2009	Moller	D14/218
D607,846 S *	1/2010	Daniels	D13/168
D620,456 S	7/2010	Akana et al.	

(Continued)

FOREIGN PATENT DOCUMENTS

CN	304588761	4/2018
CN	304772469	* 8/2018
IN	261918-0001	* 5/2015

OTHER PUBLICATIONS

Amazon Fire TV Stick 4K with Alexa Voice Remote, oldest image review 2018, <https://www.amazon.com/Stick-Alexa-Remote-streaming-player/dp/B079QHML21/ref=c...> site visited Sep. 30, 2019 (Year: 2018).*

(Continued)

Primary Examiner — John R Yeh
(74) *Attorney, Agent, or Firm* — Lee & Hayes, P.C.

(57) **CLAIM**

The ornamental design for a remote control, as shown and described.

DESCRIPTION

FIG. 1 is a front perspective view of a remote control; FIG. 2 is a back perspective view thereof; FIG. 3 is a front view thereof; FIG. 4 is a back view thereof; FIG. 5 is a left-side view thereof; FIG. 6 is a right-side view thereof; FIG. 7 is a top view thereof; and, FIG. 8 is a bottom view thereof. The broken lines depict portions of the remote control that form no part of the claimed design.

1 Claim, 8 Drawing Sheets

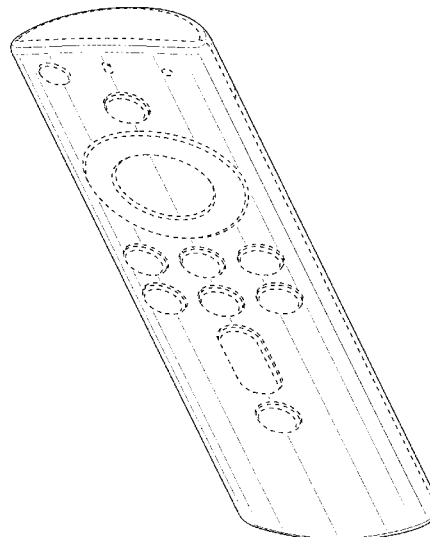
Related U.S. Application Data

- (62) Division of application No. 29/641,357, filed on Mar. 21, 2018, now Pat. No. Des. 858,486.
- (51) **LOC (12) Cl.** **14-03**
- (52) **U.S. Cl.**
USPC **D14/218**
- (58) **Field of Classification Search**
USPC D14/218, 401, 388; D13/168, 401; D21/333; D32/40; D11/26; D10/30-32, D10/38
CPC G06F 3/0219; G06F 1/16; G06F 3/0202; G09G 5/00; G05B 19/02; G08C 17/00; G06Q 50/00
See application file for complete search history.

References Cited

U.S. PATENT DOCUMENTS

D298,941 S	12/1988	Ennio	
D314,384 S	2/1991	Hafner	
D450,662 S *	11/2001	Kwok	D13/168
D503,687 S *	4/2005	Hoffman	D13/168
D520,495 S *	5/2006	Dukerschein	D14/218
D529,872 S *	10/2006	Weitgasser	D13/168
D531,585 S *	11/2006	Weitgasser	D13/168



(56)

References Cited

U.S. PATENT DOCUMENTS

D622,703 S * 8/2010 Cheng Teh D14/218
 D625,693 S * 10/2010 Charleux D13/168
 D628,985 S 12/2010 VanDuyn et al.
 D633,478 S * 3/2011 Bolton D14/218
 D654,476 S 2/2012 Weitgasser
 D654,477 S 2/2012 Weitgasser
 D661,688 S * 6/2012 Weitgasser D14/218
 D661,690 S * 6/2012 Weitgasser D14/218
 D661,691 S 6/2012 Weitgasser
 D663,721 S 7/2012 McManigal et al.
 D669,885 S 10/2012 Kim et al.
 D672,321 S 12/2012 Park et al.
 D691,987 S 10/2013 Peh
 D697,056 S 1/2014 McManigal
 D697,499 S 1/2014 McManigal
 D703,188 S * 4/2014 Maier D14/218
 D703,190 S 4/2014 Zaslavsky et al.
 D735,195 S 7/2015 Yakel
 D735,718 S 8/2015 Pang et al.
 D788,017 S 5/2017 Smallhorn
 D811,373 S * 2/2018 Lee D14/218
 D826,937 S * 8/2018 Ruegg D14/388
 D828,336 S * 9/2018 Matvienko D14/218

D835,074 S 12/2018 Cheng
 D836,613 S 12/2018 Lu
 D851,631 S * 6/2019 Einaudi D14/218
 D856,332 S * 8/2019 Ruegg D14/388
 2010/0035668 A1 2/2010 Lee
 2011/0051016 A1* 3/2011 Malode H03G 1/02
 348/734
 2011/0102230 A1* 5/2011 Vergis G08C 19/28
 341/176
 2016/0086483 A1* 3/2016 Hong G08C 17/02
 340/12.5
 2017/0332031 A1* 11/2017 Park H04N 5/4403

OTHER PUBLICATIONS

Geekbuying, "FM5S Wireless Mini Keyboard 2.4G Fly Air Mouse Remote Control", retrieved on Mar. 12, 2019 at <<<https://www.geekbuying.com/item/FM5S-Wireless-Mini-Keyboard-2-4G-Fly-Air-Mouse-Remote-Control-Black-374742.html>>>, Geekbuying, 2018, 5 pages.
 Indian Office Action dated Oct. 3, 2018 for Indian Patent Application No. 310098, a counterpart foreign patent application for the U.S. Appl. No. 29/641,357, 2 pages.

* cited by examiner

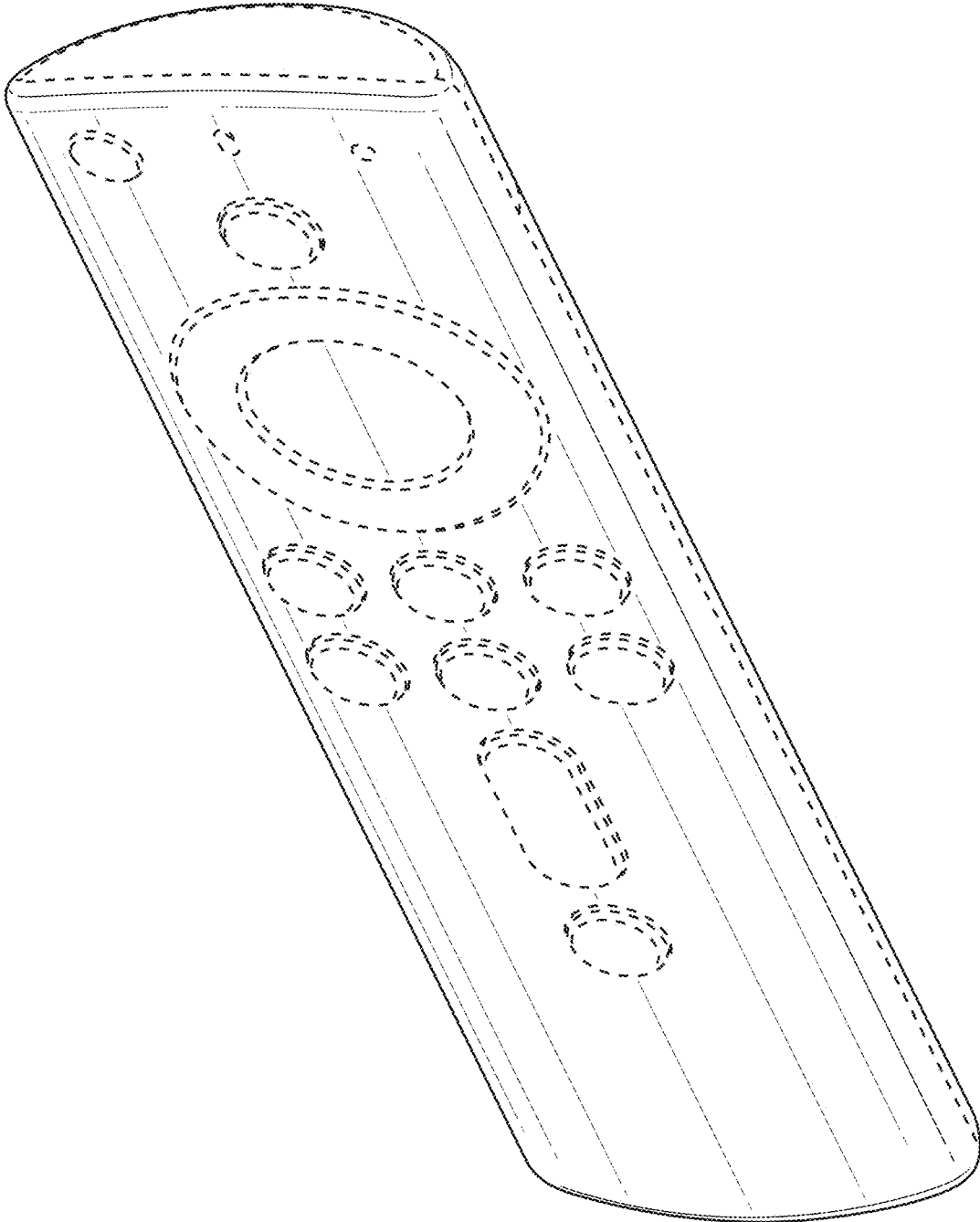


FIG. 1

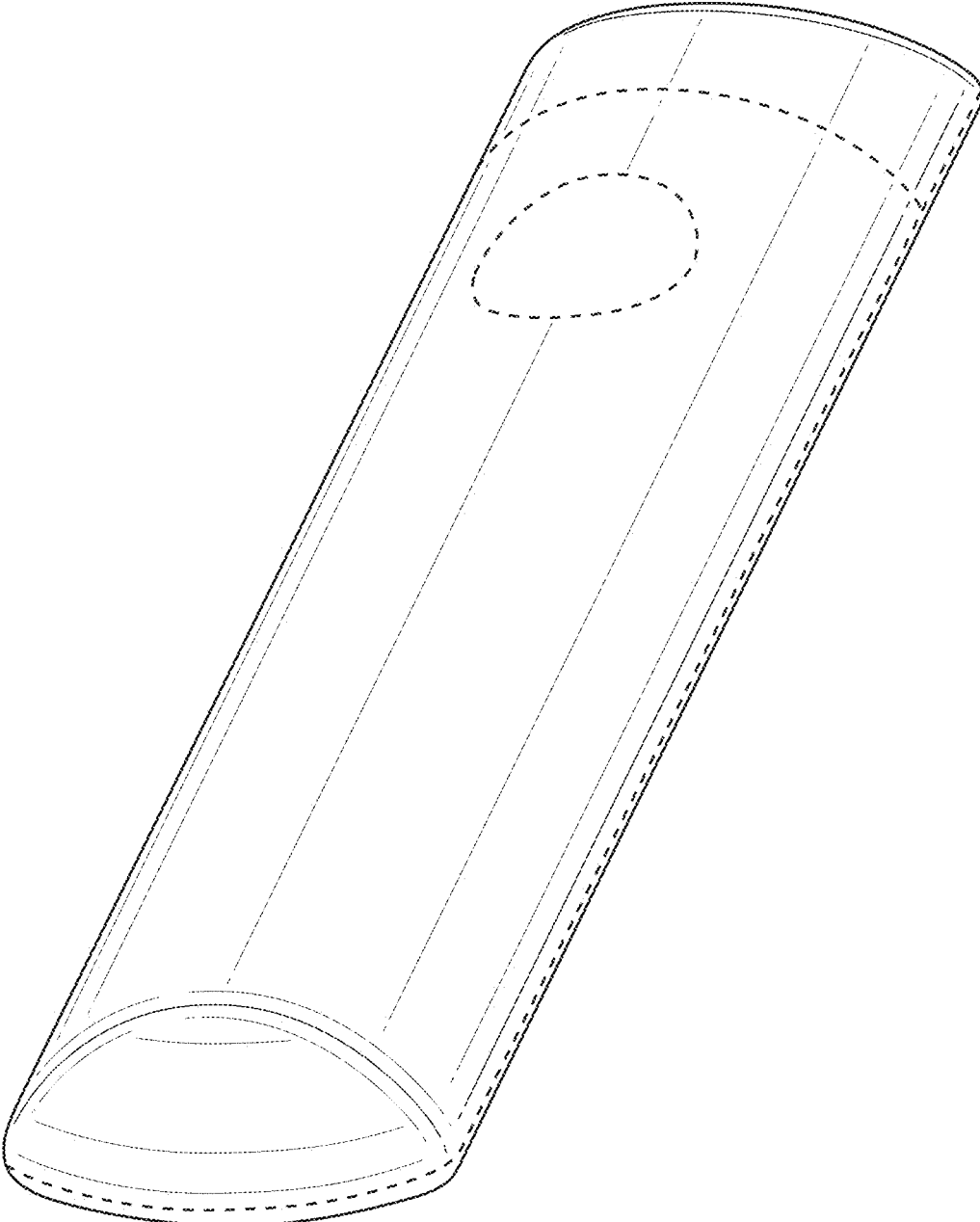


FIG. 2

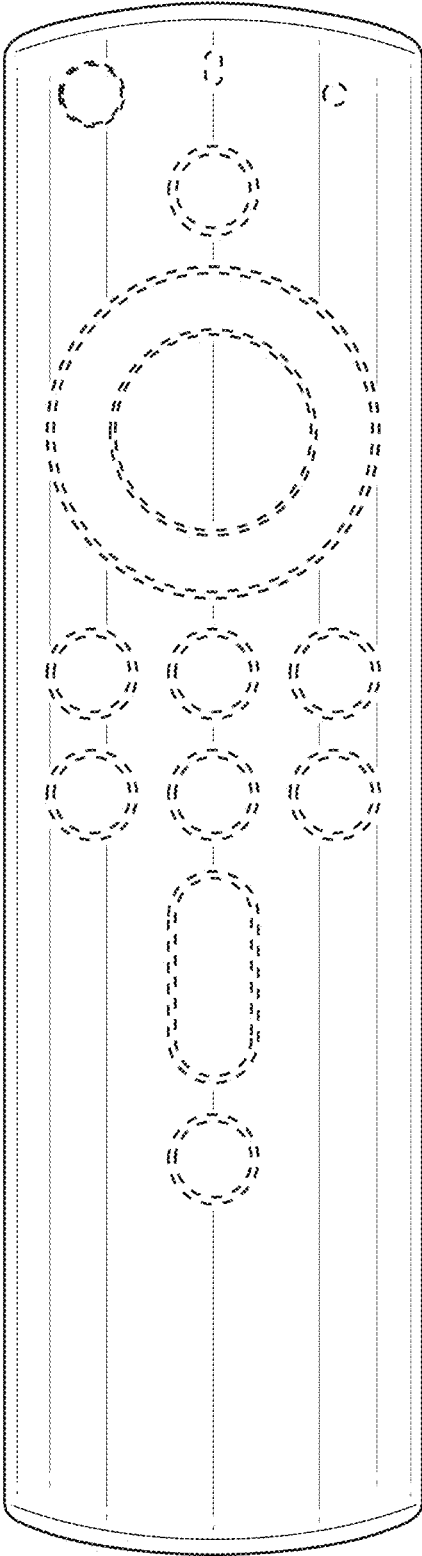


FIG. 3

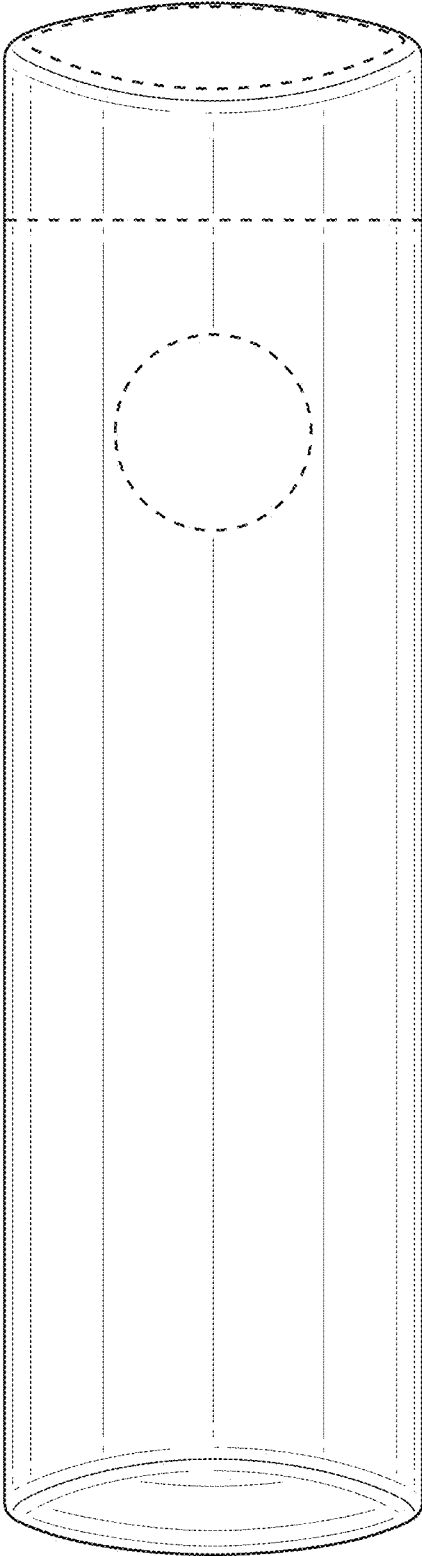


FIG. 4

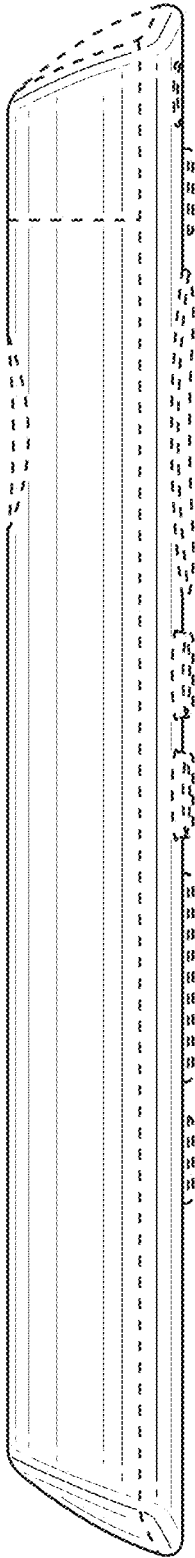


FIG. 5

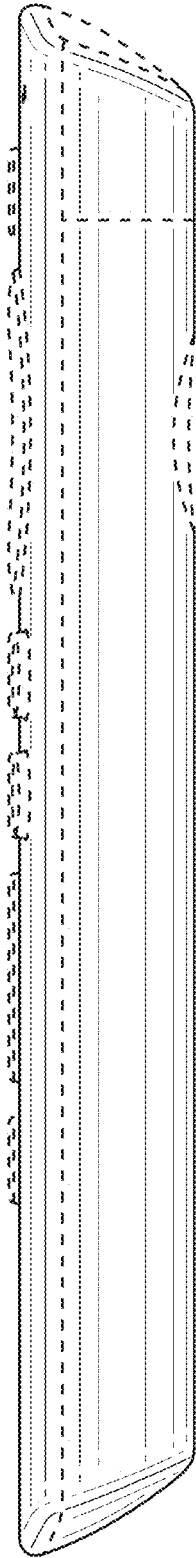


FIG. 6



FIG. 7



FIG. 8