



US00D806463S

(12) **United States Design Patent**
Gloger

(10) **Patent No.:** **US D806,463 S**

(45) **Date of Patent:** **** Jan. 2, 2018**

- (54) **GRILL**
- (71) Applicant: **Enders Colman AG**, Werdohl (DE)
- (72) Inventor: **Michael Gloger**, Werdohl (DE)
- (73) Assignee: **Enders Colman AG**, Werdohl (DE)
- (**) Term: **15 Years**
- (21) Appl. No.: **29/581,480**
- (22) Filed: **Oct. 19, 2016**

D474,063 S *	5/2003	Eisinger	D7/334
D479,430 S *	9/2003	Chung	D7/334
D517,365 S *	3/2006	Huang	D7/332
D521,307 S *	5/2006	Parrant	D7/334
D550,023 S *	9/2007	Chung	D7/334
D551,489 S *	9/2007	Gondek	D7/332
D618,035 S *	6/2010	Chung	D7/334
D618,037 S *	6/2010	Chung	D7/334
D618,483 S *	6/2010	Chung	D7/334
D636,628 S *	4/2011	Chung	D7/334
D657,181 S *	4/2012	Chung	D7/334
D658,926 S *	5/2012	Chung	D7/334
D661,538 S *	6/2012	Chung	D7/334
D680,364 S *	4/2013	Chung	D7/334
D680,365 S *	4/2013	Chung	D7/334
D680,366 S *	4/2013	Chung	D7/334
D680,796 S *	4/2013	Chung	D7/334
D687,668 S *	8/2013	Chung	D7/334

(Continued)

Related U.S. Application Data

- (62) Division of application No. 35/500,216, filed on Aug. 26, 2015 (U.S. filing date under 35 U.S.C. 384), and having an international filing date of Jun. 23, 2015, now Pat. No. Des. 780,502.

- (51) **LOC (11) Cl.** **07-02**
- (52) **U.S. Cl.**
USPC **D7/334**

- (58) **Field of Classification Search**
USPC D7/332, 334-337, 338, 348, 402-405, D7/417; 126/257 E
CPC A47J 36/26; A47J 37/0704; A47J 37/0763; A47J 37/0745; A47J 37/0713; A47J 37/0768; A47J 37/079; A47J 39/00; F24B 1/205; F24B 1/02; F24B 15/04; F24C 3/14; F24C 3/027; F24C 15/08; F47J 33/00; B65D 7/26; B65D 7/24; A23B 4/052

See application file for complete search history.

(56) **References Cited**

U.S. PATENT DOCUMENTS

- D326,207 S * 5/1992 Koziol D7/332
- 6,397,731 B1 * 6/2002 Gillespie A47J 37/0704
126/25 R

OTHER PUBLICATIONS

“Coleman NXT Grill.” Camping World., retrieved on Oct. 17, 2016. Retrieved from the Internet <URL: <http://www.campingworld.com/shopping/item/coleman-nxt-grill/68326#qanda>>.

(Continued)

Primary Examiner — Darlington Ly
(74) *Attorney, Agent, or Firm* — Polson Intellectual Property Law, PC; Margaret Polson

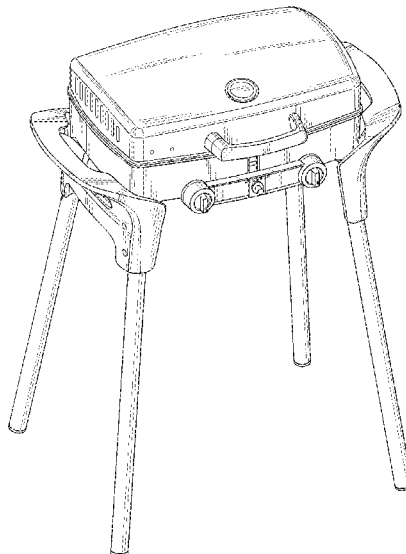
(57) **CLAIM**

The ornamental design for a grill, as shown and described.

DESCRIPTION

FIG. 1 is a front and left side perspective view of a grill showing my new design; FIG. 2 is a rear and left side perspective view thereof; and, FIG. 3 is a front elevation view thereof. The broken lines in the drawings illustrate portions of the grill that form no part of the claimed design.

1 Claim, 3 Drawing Sheets



(56)

References Cited

U.S. PATENT DOCUMENTS

D687,669	S *	8/2013	Chung	D7/334
D688,082	S *	8/2013	Crick	D7/334
D689,322	S *	9/2013	Chung	D7/332
D712,191	S *	9/2014	Chung	D7/334
D717,096	S *	11/2014	Chung	D7/334
2015/0114383	A1 *	4/2015	Lin	A47J 37/0763 126/25 R

OTHER PUBLICATIONS

“Portable Outdoor Propane Gas Grill BBQ Travel Camping Cooking Roll-away Cuisine.” Tera Peak., retrieved on Oct. 2016. Retrieved from the Internet <URL: [http://www.terapeak.com/worth/portable-camping-grill-outdoor-propane-bbq-stove-cooking-burner-barbecuefolding/181953627369!](http://www.terapeak.com/worth/portable-camping-grill-outdoor-propane-bbq-stove-cooking-burner-barbecuefolding/181953627369!>)>.

Barbie66Foody. “Best Small Propane Grills for 2015.” Barbecue Grill., retrieved on Oct. 17, 2016. Retrieved from the Internet <URL: <http://barbecuegrill.co/best-small-propane-grills/>>.

U.S. Appl. No. 35/300,216, filed Aug. 26, 2016.

U.S. Appl. No. 29/581,477, filed Oct. 19, 2016.

* cited by examiner

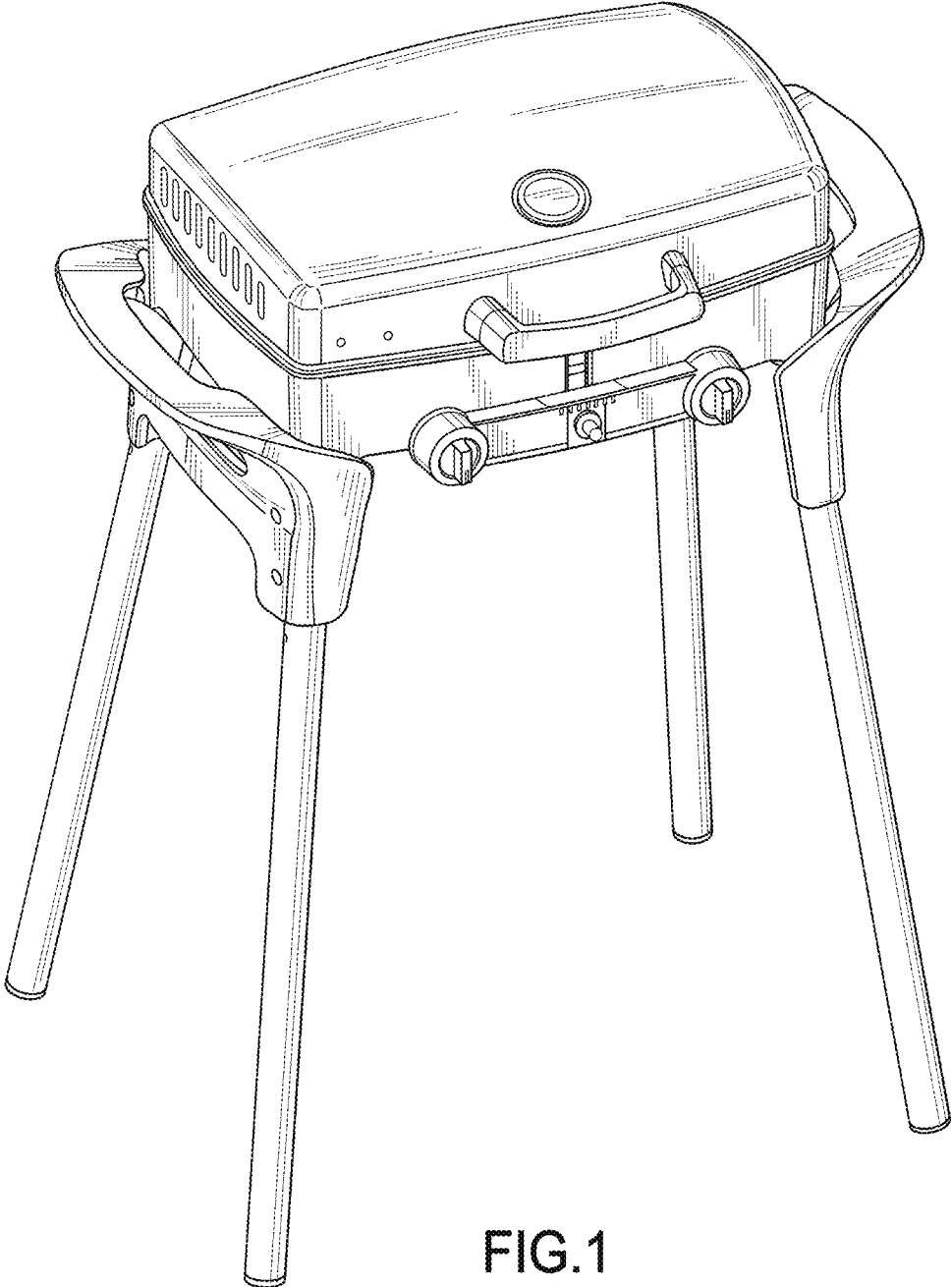


FIG.1

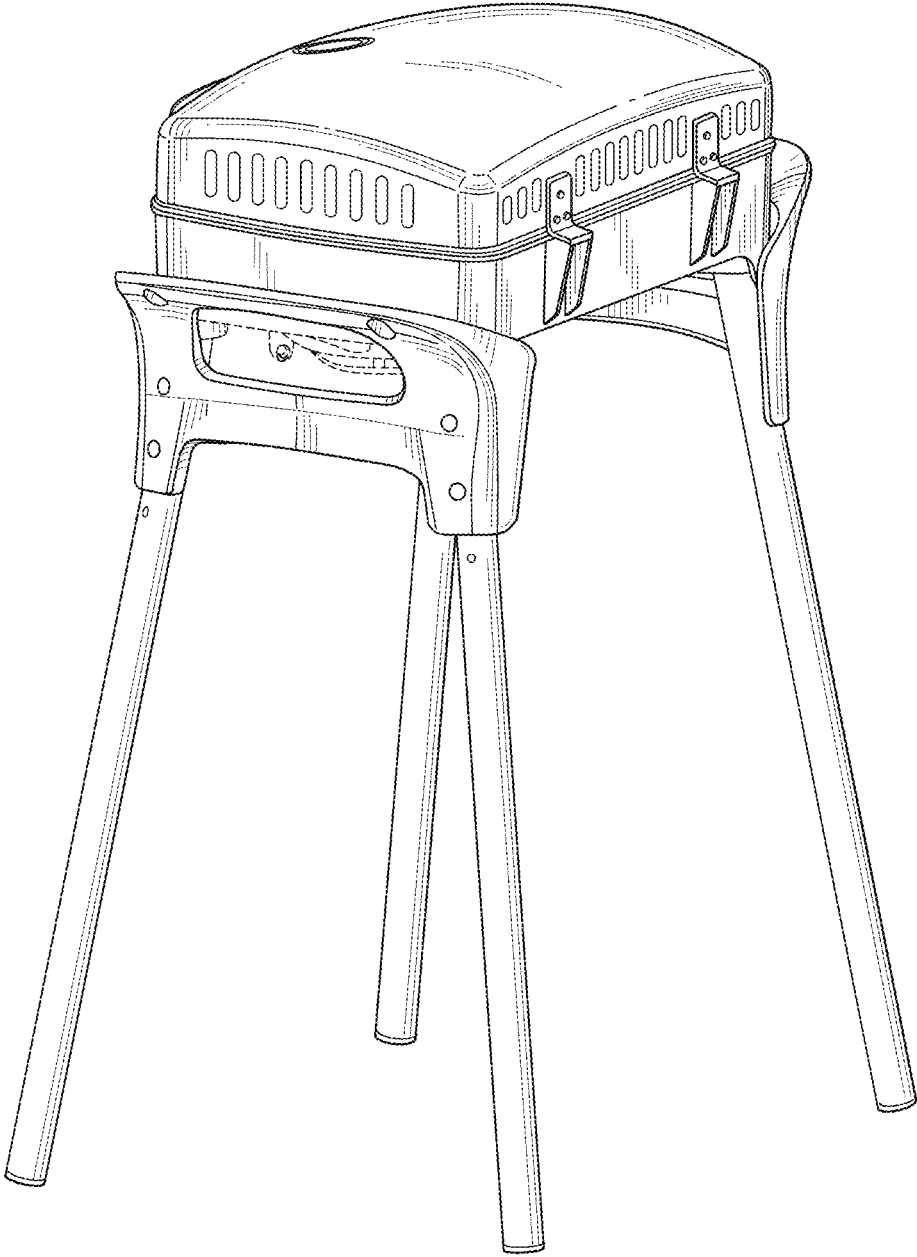


FIG.2

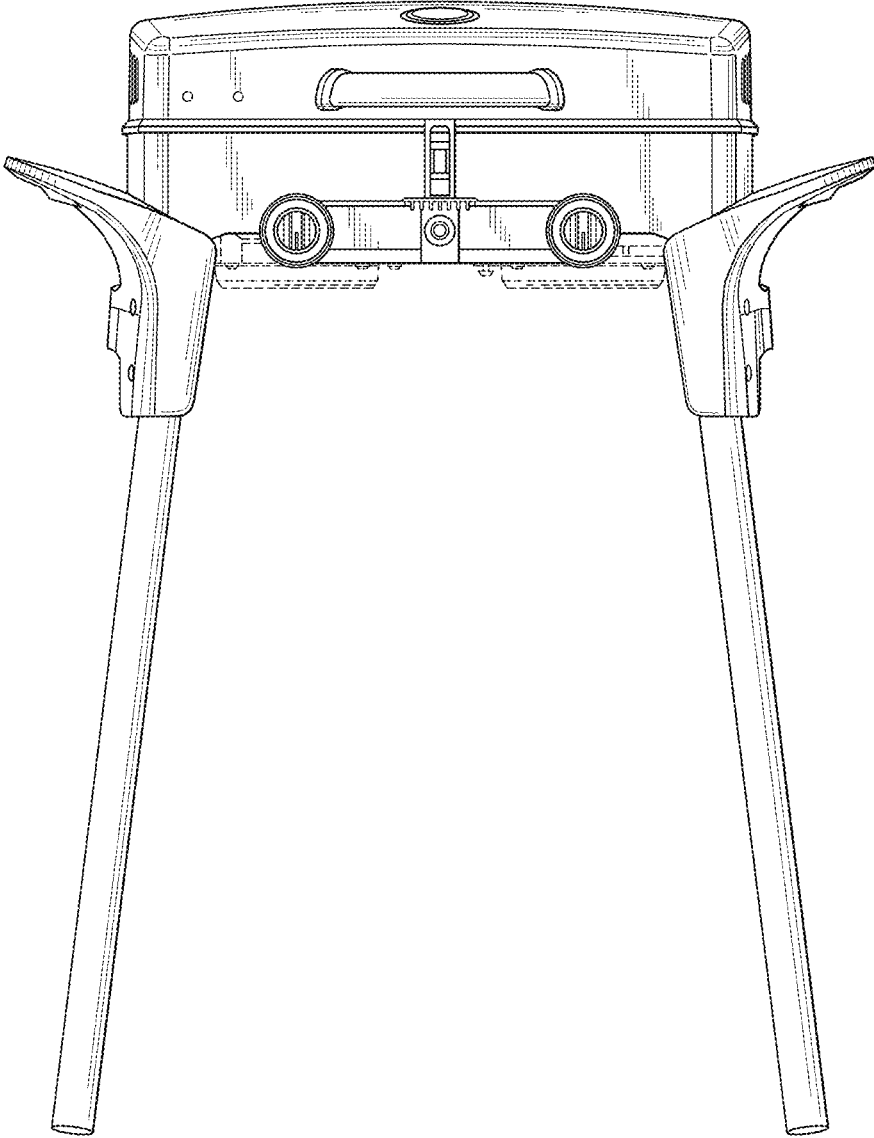


FIG.3