



US00D724475S

(12) **United States Design Patent**  
**Lux**

(10) **Patent No.:** **US D724,475 S**

(45) **Date of Patent:** **\*\* Mar. 17, 2015**

- (54) **BANGLE**
- (71) Applicant: **R.Q.C. Ltd.**, Williamsville, NY (US)
- (72) Inventor: **Richard Christopher Lux**, Williamsville, NY (US)
- (73) Assignee: **R.Q.C. Ltd.**, Williamsville, NY (US)
- (\*\*) Term: **14 Years**
- (21) Appl. No.: **29/500,138**

D386,999 S	12/1997	Kothari	
D472,177 S *	3/2003	McCullough-McPherson	D11/4
D487,709 S	3/2004	Ferlise	
D498,167 S	11/2004	Ferlise	
D539,689 S	4/2007	Mertens	
D592,950 S	5/2009	Kopulos	
D658,086 S	4/2012	Rafaelian	
D658,087 S	4/2012	Rafaelian	
D658,088 S *	4/2012	Rafaelian	
D658,089 S	4/2012	Rafaelian	
D658,528 S	5/2012	Rafaelian	
D662,849 S	7/2012	Rafaelian	
D664,466 S *	7/2012	Rafaelian	D11/8
D669,115 S *	10/2012	Kalbach	D16/339
D672,678 S *	12/2012	Nadeau	D11/11
D686,520 S *	7/2013	Rafaelian	D11/5
D692,340 S *	10/2013	Mejia	D11/3

- (22) Filed: **Aug. 21, 2014**
- (51) **LOC (10) Cl.** ..... **11-01**
- (52) **U.S. Cl.**  
USPC ..... **D11/5**
- (58) **Field of Classification Search**  
USPC ..... D11/1-25; 63/1.11, 3.1, 3.2, 15,  
63/15.1-15.4, 15.45, 15.5, 15.6, 15.65,  
63/5.1; D28/41; 24/130, 122.3, 129 R,  
24/136 R, 115 A

See application file for complete search history.

(56) **References Cited**

**U.S. PATENT DOCUMENTS**

D14,438 S	11/1883	Alin	
421,615 A *	2/1890	Riker	63/11
993,303 A	5/1911	Kirby	
1,124,518 A	1/1915	Qvarnstrom	
2,462,425 A	2/1949	Pratt et al.	
2,713,706 A	7/1955	Biagi	
3,187,396 A	6/1965	Carroll	
D224,257 S *	7/1972	Lee	D11/4
D245,834 S *	9/1977	Wilbert	D11/7
4,321,804 A	3/1982	Borofsky	
4,322,077 A	3/1982	Van't Hof	
4,334,413 A	6/1982	Gaston	
D267,159 S	12/1982	Borofsky	
D268,013 S	2/1983	Stimmler	
5,247,814 A	9/1993	McDonald	
D358,017 S	5/1995	Clark et al.	

(Continued)

**OTHER PUBLICATIONS**

[Online] [https://img0.etsystatic.com/048/0/5522034/il\\_340x270.661816182\\_90gt.jpg](https://img0.etsystatic.com/048/0/5522034/il_340x270.661816182_90gt.jpg). Retrieved Nov. 9, 2014.\*

(Continued)

*Primary Examiner* — Garth Rademaker  
*Assistant Examiner* — Melanie Pellegrini  
(74) *Attorney, Agent, or Firm* — Hodgson Russ LLP

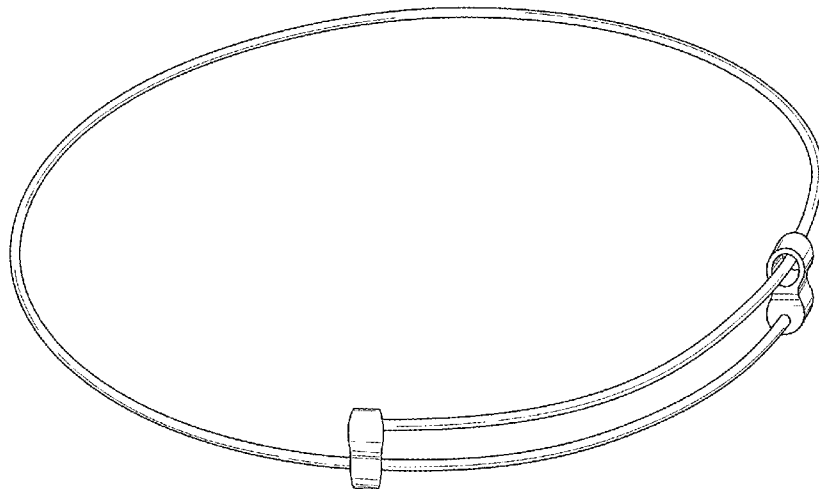
(57) **CLAIM**

The ornamental design for a bangle, as shown and described.

**DESCRIPTION**

FIG. 1 is a perspective view of a bangle showing my new design;  
FIG. 2 is a front view thereof;  
FIG. 3 is a rear view thereof;  
FIG. 4 is a left view thereof;  
FIG. 5 is a right view thereof;  
FIG. 6 is a top view thereof; and,  
FIG. 7 is a bottom view thereof.

**1 Claim, 4 Drawing Sheets**



(56)

**References Cited**

U.S. PATENT DOCUMENTS

D700,860	S	*	3/2014	Nadeau .....	D11/5
D703,087	S	*	4/2014	Fiasconaro .....	D11/5
D703,088	S		4/2014	Fiasconaro	
D704,085	S	*	5/2014	DiPietro .....	D11/5
D704,086	S	*	5/2014	DiPietro .....	D11/5
D704,087	S	*	5/2014	DiPietro .....	D11/5
D706,665	S	*	6/2014	Goldwitz .....	D11/5
D707,149	S	*	6/2014	Ovadia .....	D11/5
D707,582	S	*	6/2014	DiPietro .....	D11/5
D708,088	S	*	7/2014	DeCristofaro .....	D11/5
D709,789	S	*	7/2014	Soares .....	D11/5
RE45,079	E	*	8/2014	Ferlise .....	D11/5
D716,175	S	*	10/2014	Rosenel .....	D11/5

OTHER PUBLICATIONS

Bling Jewelry, Bling Jewelry Sterling Silver Claddagh Baby Childrens Bracelet Expandable, <http://www.amazon.com/Bling-Jewelry-Sterling-Childrens-Expandable/dp/B007GB4U84>, accessed Oct. 15, 2014.

Lolo Angel Bangle, Lauren G Adams, [http://www.laurengadams.com/index.php?p=product&id=19691&parent=811&is\\_print\\_version=true](http://www.laurengadams.com/index.php?p=product&id=19691&parent=811&is_print_version=true), accessed Oct. 15, 2014.

Angelica Bangle, Royal Chain Group, <http://royalchain.com/angelica/wgel1122.html>, accessed Oct. 15, 2014.

Bracelets/Tubular & Bangle, B.A. Ballou & Co. Inc., 1988.

\* cited by examiner

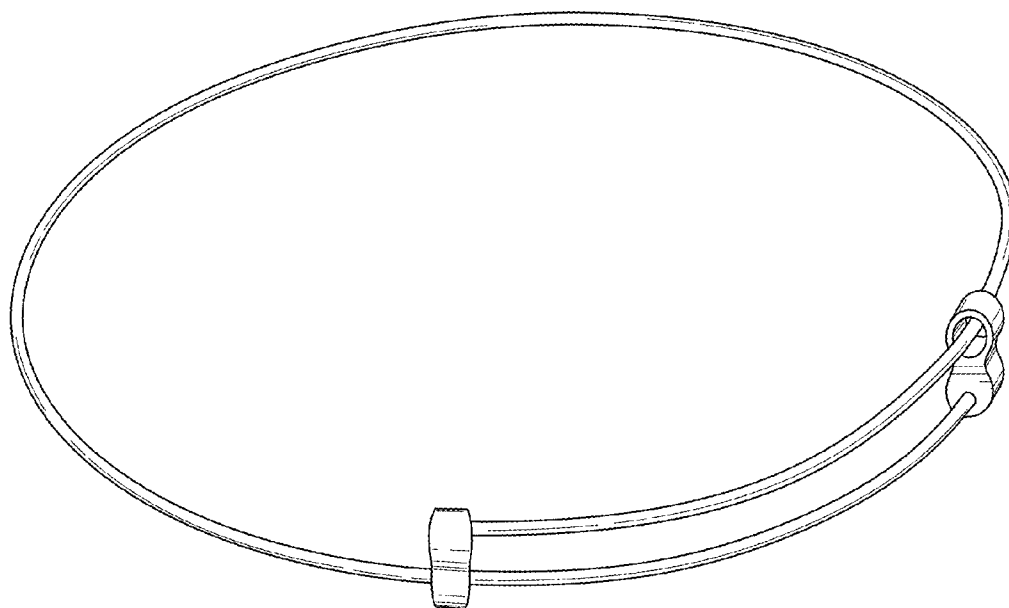


FIG. 1

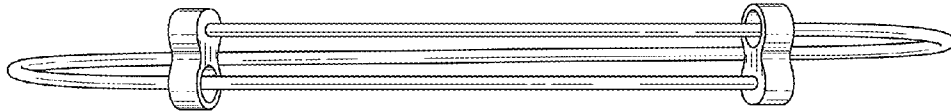


FIG. 2

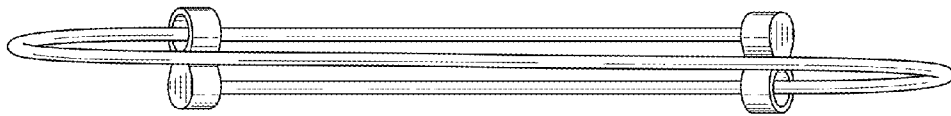


FIG. 3

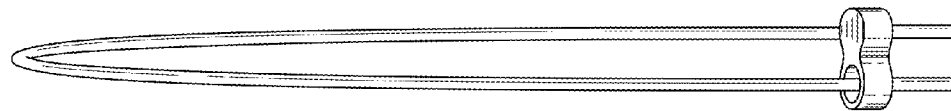


FIG. 4

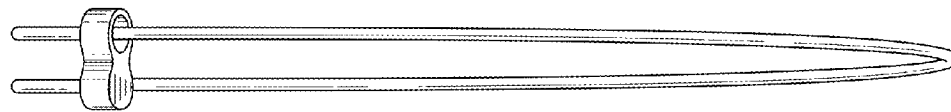


FIG. 5

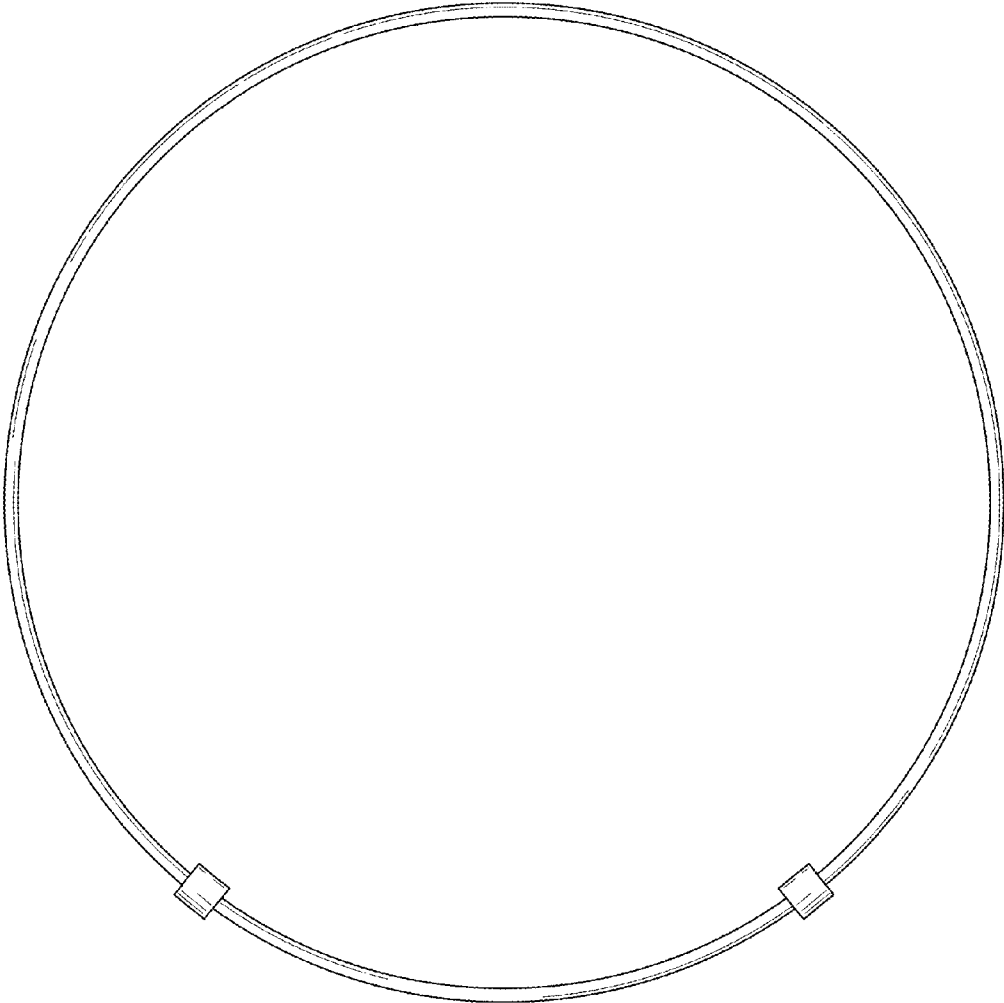
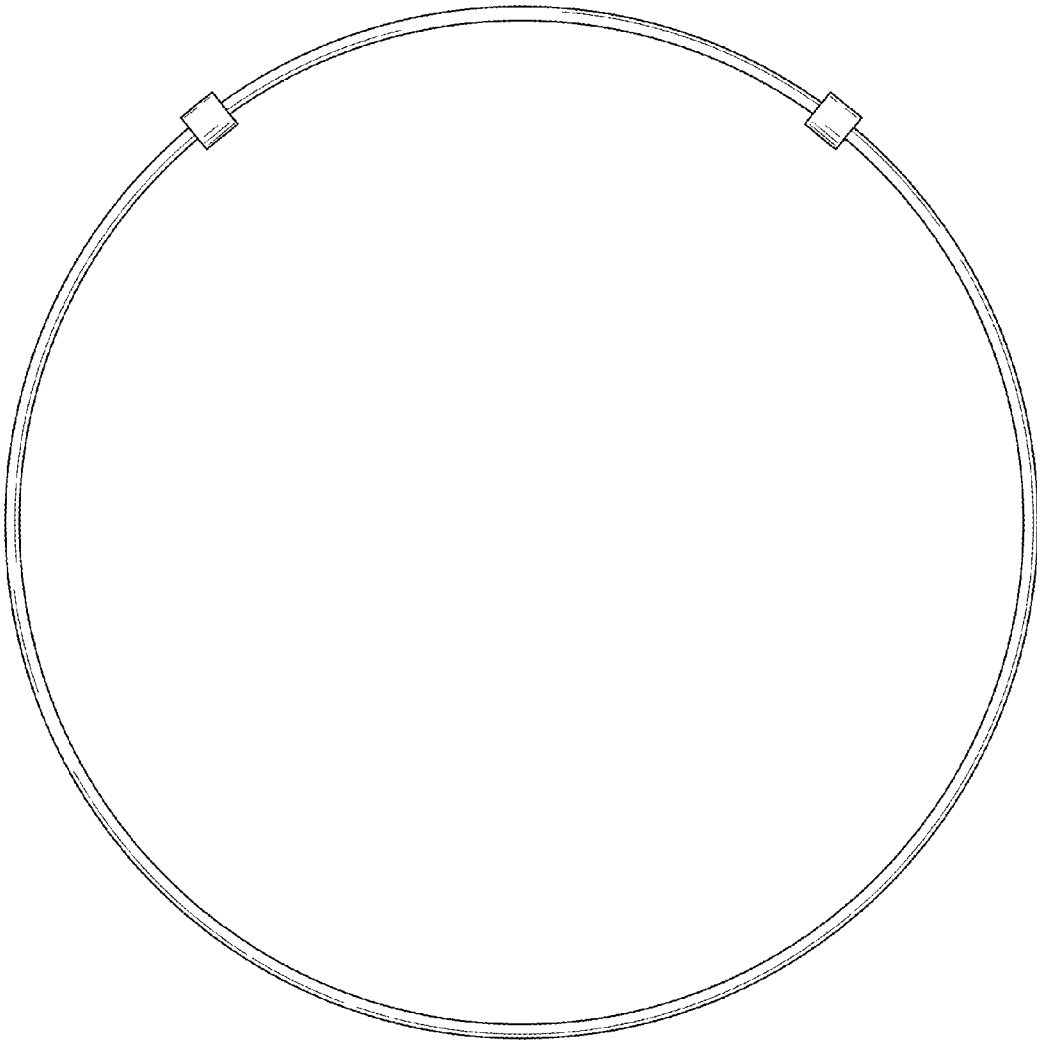


FIG. 6



*FIG. 7*