



US0D1024744S

(12) **United States Design Patent**
Huang et al.

(10) **Patent No.:** **US D1,024,744 S**

(45) **Date of Patent:** **** Apr. 30, 2024**

(54) **REEL SEAT**

D703,974 S * 5/2014 Chou D6/580
D746,077 S * 12/2015 Vrooman D6/580
2008/0099157 A1* 5/2008 Nien E06B 9/322
160/84.05

(71) Applicant: **CHING FENG HOME FASHIONS CO., LTD.**, Fuxing Township, Changhua County (TW)

* cited by examiner

(72) Inventors: **Chien-Chih Huang**, Fuxing Township (TW); **Ming-Chu Chiang**, Fuxing Township (TW)

Primary Examiner — Eliza Z Harvey

(73) Assignee: **CHING FENG HOME FASHIONS CO., LTD.**, Fuxing Township, Changhua County (TW)

(74) *Attorney, Agent, or Firm* — Birch, Stewart, Kolasch & Birch, LLP

(**) Term: **15 Years**

(57) **CLAIM**

(21) Appl. No.: **29/764,861**

The ornamental design for a reel seat, as shown and described.

(22) Filed: **Jan. 4, 2021**

(30) **Foreign Application Priority Data**

DESCRIPTION

Dec. 17, 2020 (TW) 109307084

(51) **LOC (14) Cl.** **06-10**

FIG. 1 is a perspective view of a reel seat showing the new design;

(52) **U.S. Cl.** **D6/580**

FIG. 2 is a front elevational view thereof;

(58) **Field of Classification Search**

FIG. 3 is a rear elevational view thereof;

USPC **D6/580**

FIG. 4 is a left side elevational view thereof;

CPC D8/356, 358; D6/580

FIG. 5 is a right side elevational view thereof;

CPC E06B 9/303

FIG. 6 is a top plan view thereof; and,

See application file for complete search history.

FIG. 7 is a bottom plan view thereof.

(56) **References Cited**

The broken lines shown in FIGS. 1-7 illustrate portions of the reel seat that form no part of the claimed design.

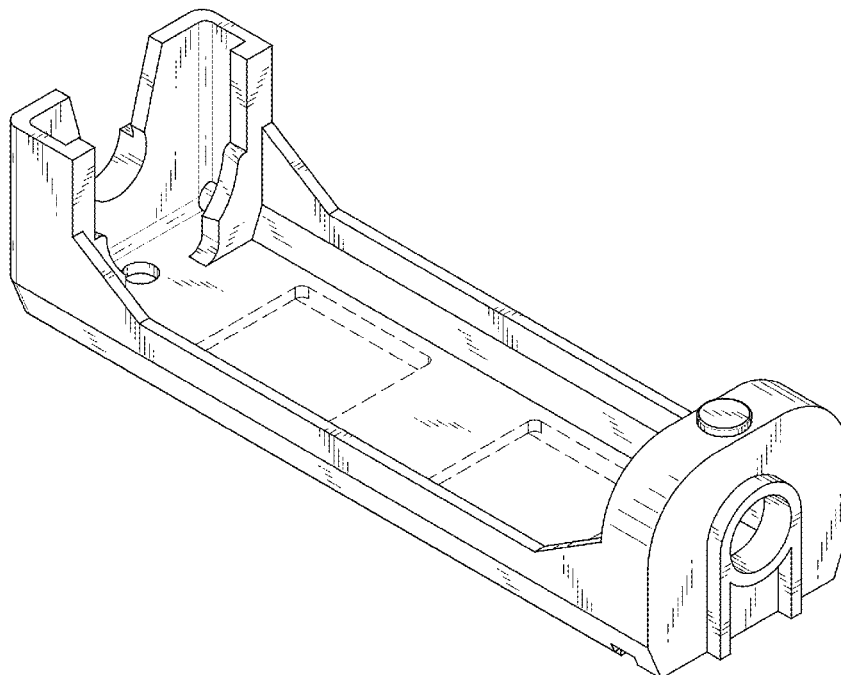
U.S. PATENT DOCUMENTS

D291,395 S * 8/1987 Hennequin D6/580

5,638,882 A * 6/1997 Morris E06B 9/308

160/176.1 R

1 Claim, 6 Drawing Sheets



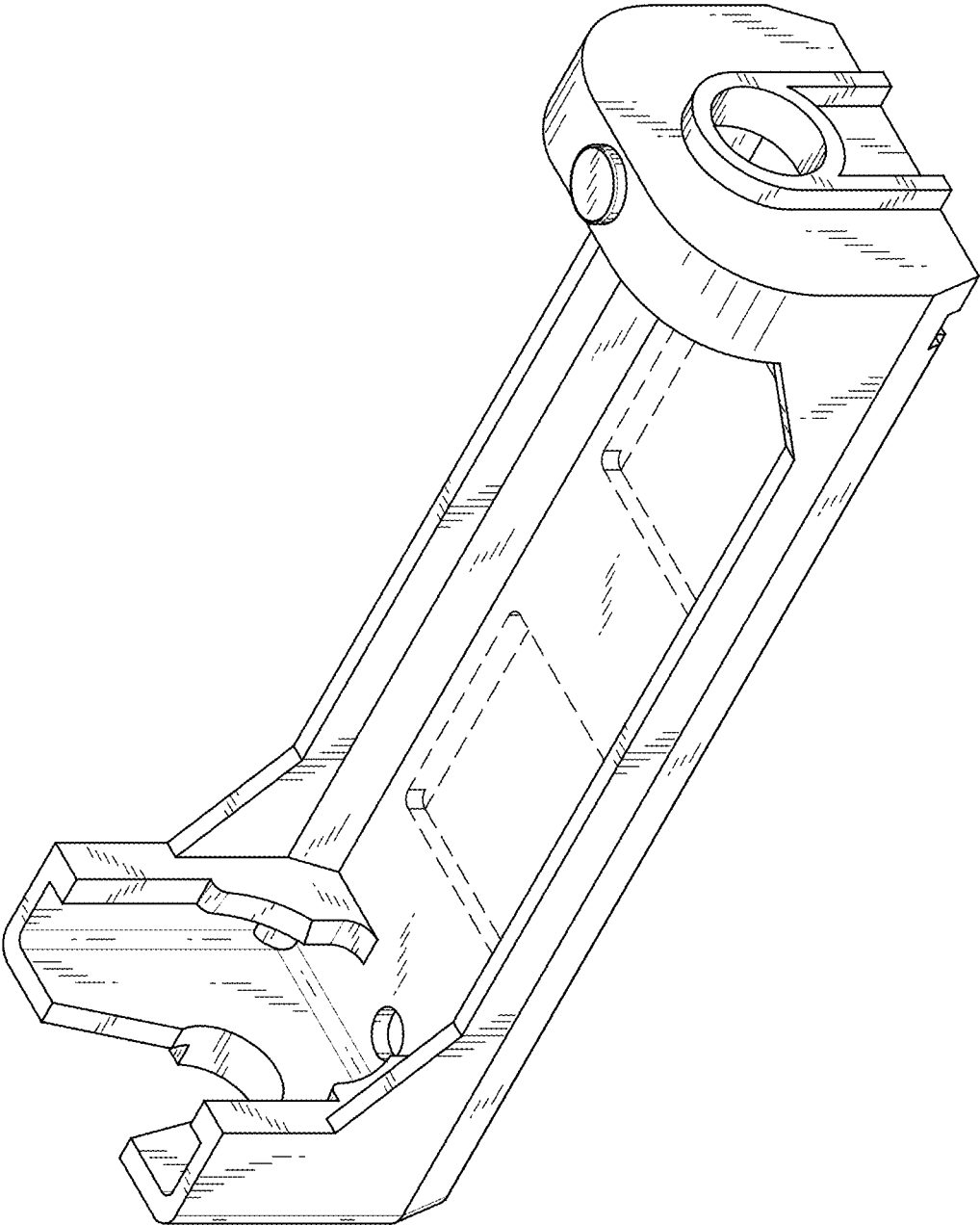


FIG. 1

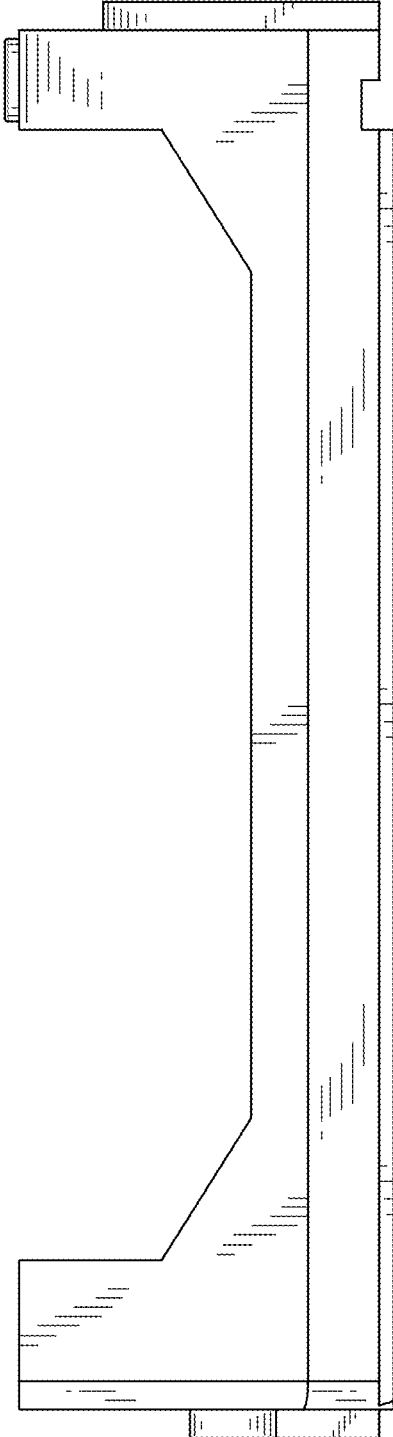


FIG. 2

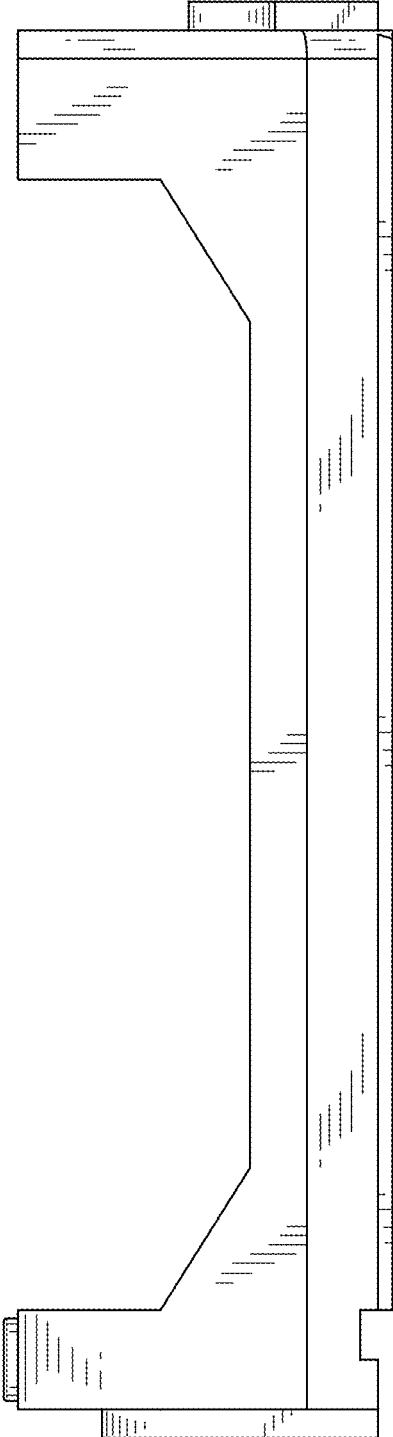


FIG. 3

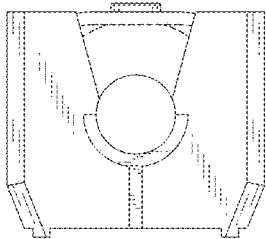


FIG. 4

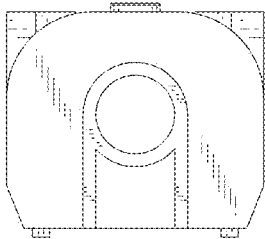


FIG. 5

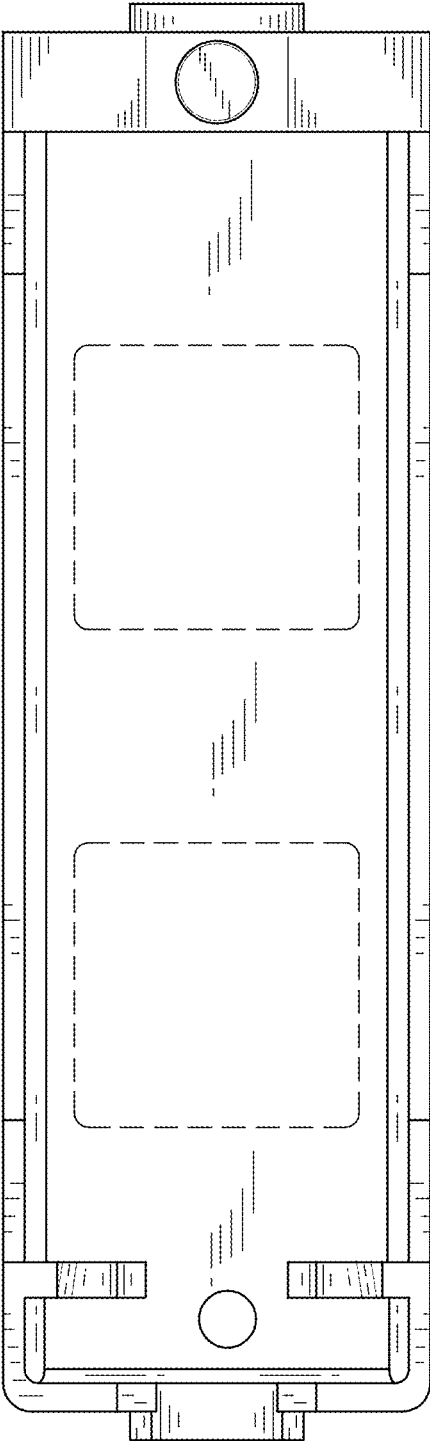


FIG. 6

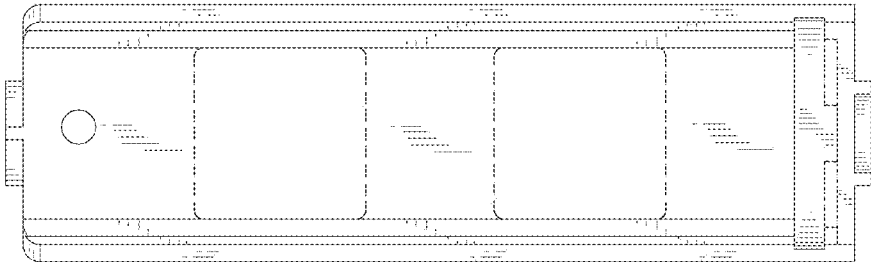


FIG. 7