



US00D414740S

**United States Patent** [19]  
**Margaritoff**

[11] **Patent Number: Des. 414,740**  
[45] **Date of Patent: \*\* Oct. 5, 1999**

[54] **AIRCRAFT**

5,167,383 12/1992 Nozaki ..... 244/12.5

[76] Inventor: **Michael Margaritoff**, 132 Seminole Ave., Palm Beach, Fla. 33480

*Primary Examiner*—Kay H. Chin  
*Attorney, Agent, or Firm*—McHale & Slavin, P.A.

[\*\*] Term: **14 Years**

[57] **CLAIM**

[21] Appl. No.: **29/075,012**

The ornamental design for an aircraft, as shown and described.

[22] Filed: **Aug. 11, 1997**

**DESCRIPTION**

[51] **LOC (6) Cl.** ..... **12-07**

[52] **U.S. Cl.** ..... **D12/319; D12/326**

[58] **Field of Search** ..... D12/319-345;  
244/13, 15, 55, 12.5, 65

FIG. 1 is a perspective view of the aircraft of the instant invention;

FIG. 2 is a front view thereof;

FIG. 3 is a rear view thereof;

FIG. 4 is a top view thereof;

FIG. 5 is a bottom view thereof; and

FIG. 6 is a left side view thereof; and,

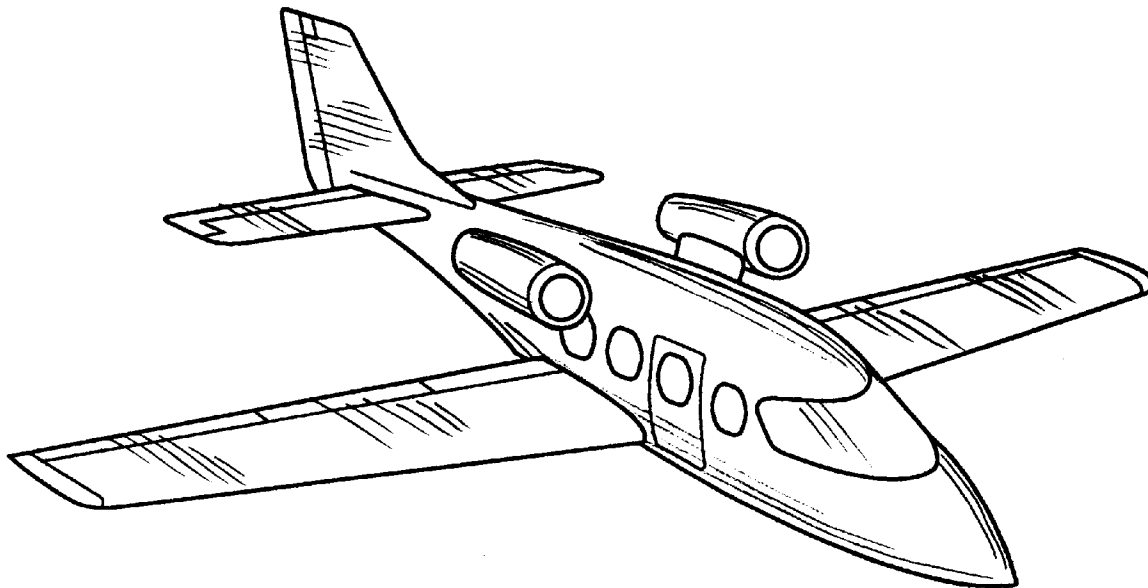
FIG. 7 is a right side view thereof.

[56] **References Cited**

**U.S. PATENT DOCUMENTS**

- D. 264,454 5/1982 Snyder ..... D12/341
- D. 386,143 11/1997 Astaire ..... D12/345

**1 Claim, 7 Drawing Sheets**



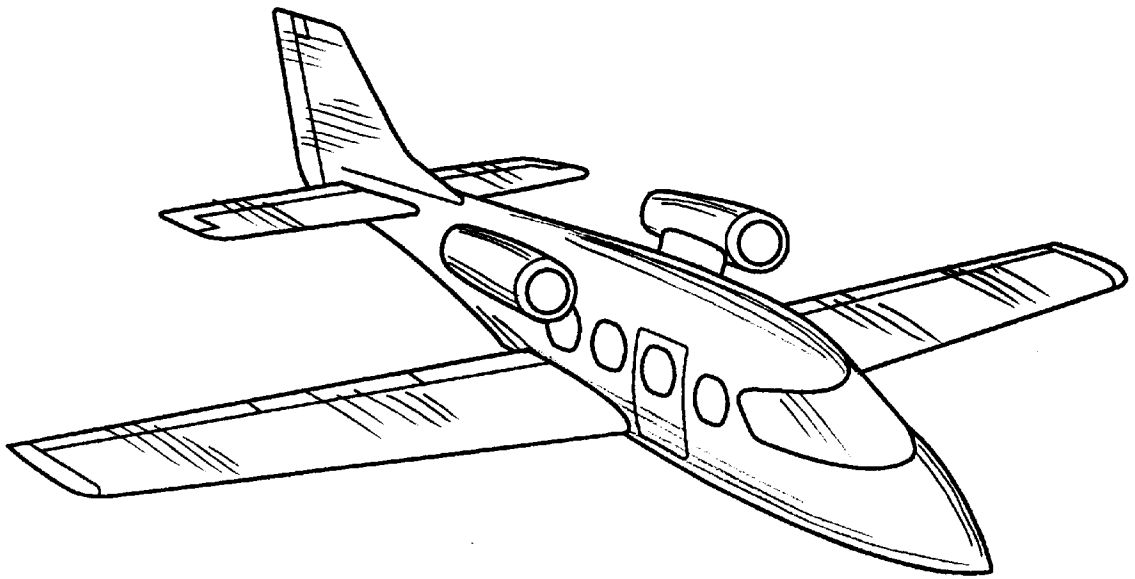


FIG 1

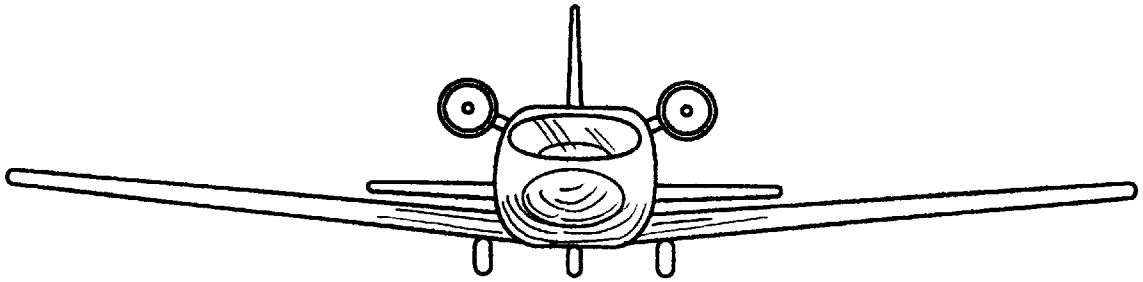


FIG 2

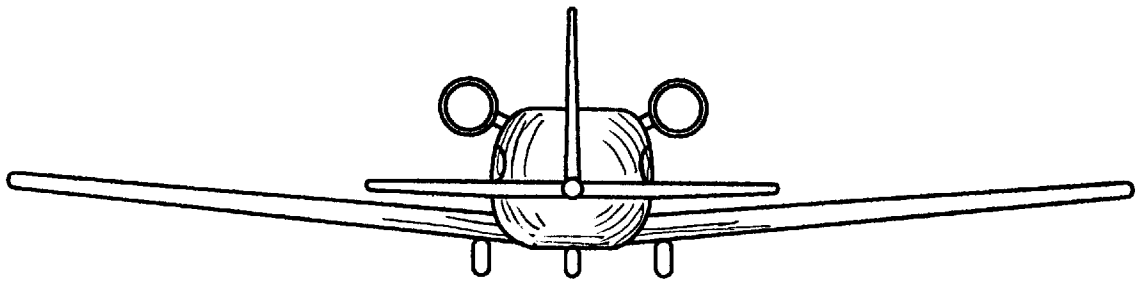


FIG 3

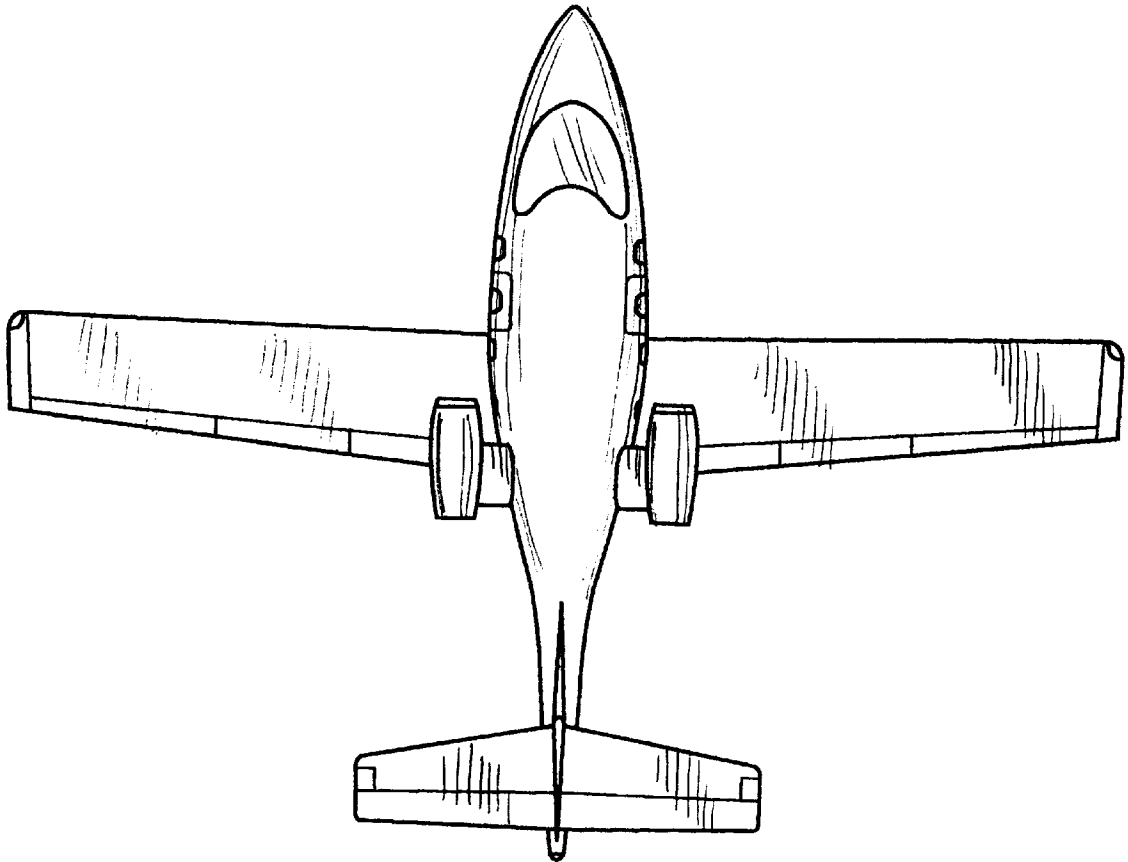


FIG 4

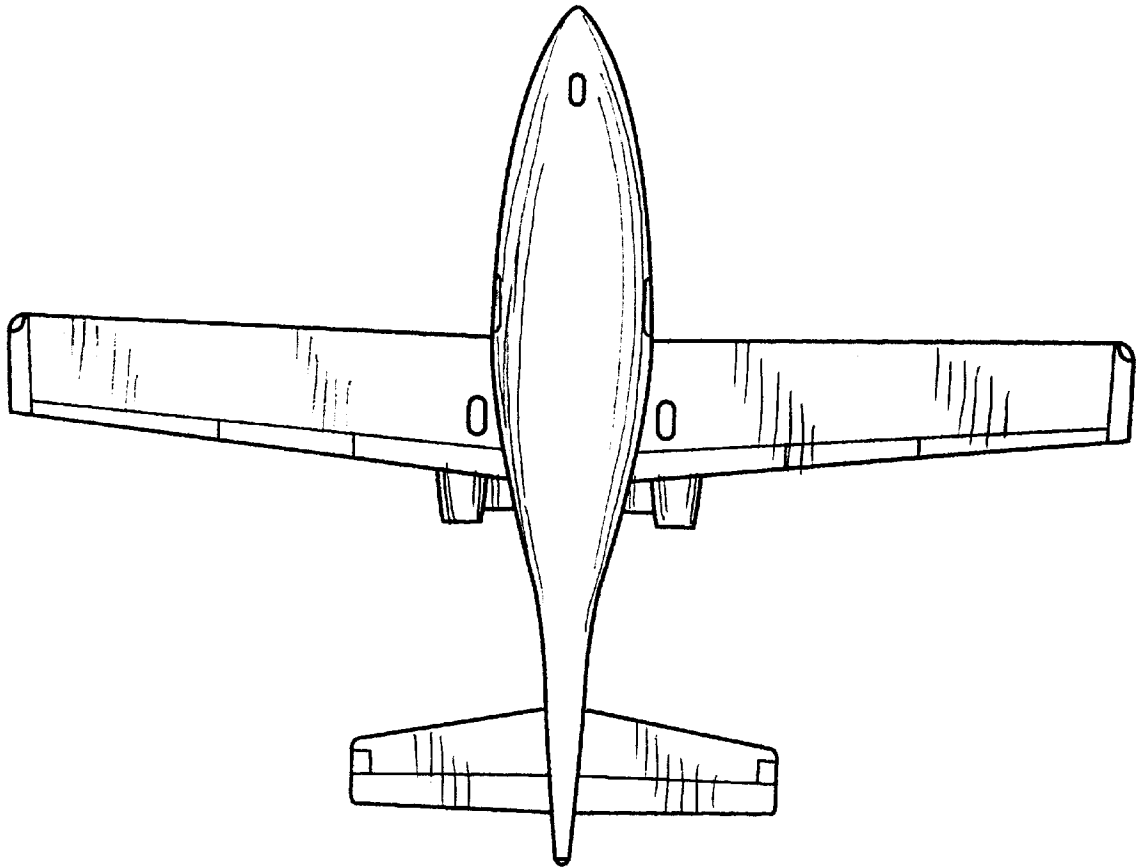


FIG 5

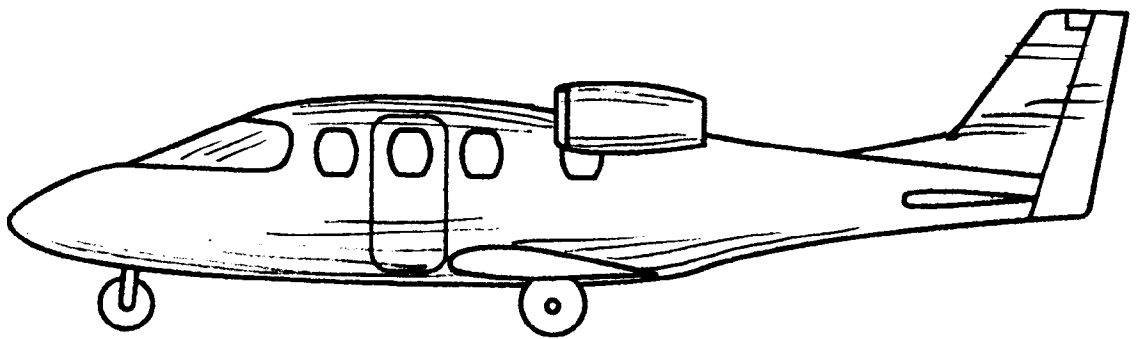


FIG 6

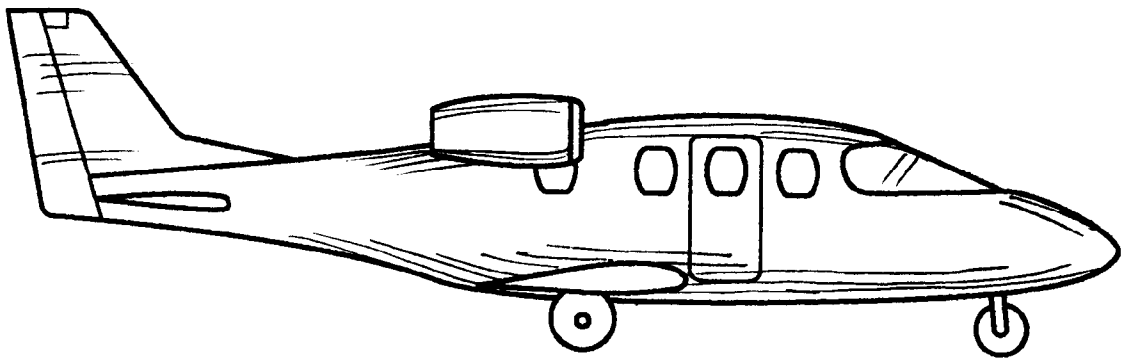


FIG 7