



US00D518893S

(12) **United States Design Patent**  
**Ugent et al.**

(10) **Patent No.:** **US D518,893 S**

(45) **Date of Patent:** **\*\* Apr. 11, 2006**

(54) **IV POLE**

(76) Inventors: **Cari Lynn Ugent**, 1749 N. Wells,  
Chicago, IL (US) 60614; **Chris K.**  
**Barmore**, 703 W. Willow, #2b,  
Chicago, IL (US) 60614; **Paul D.**  
**Hatch**, 1308 W. Fillmore St., Chicago,  
IL (US) 60607

5,421,548 A	6/1995	Bennett et al.	
5,479,953 A	1/1996	Pasulka	
D367,530 S *	2/1996	Stiith .....	D24/128
D390,953 S *	2/1998	Ward et al. ....	D24/128
D436,167 S *	1/2001	Ebert .....	D24/128
6,224,027 B1	5/2001	Johnson et al.	
6,267,613 B1	7/2001	McCoy et al.	
6,585,206 B1	7/2003	Metz et al.	
2002/0096608 A1	7/2002	Cedarberg, III	

(\*\*) Term: **14 Years**

\* cited by examiner

(21) Appl. No.: **29/206,658**

*Primary Examiner*—Ian Simmons

*Assistant Examiner*—Daniel Yu

(22) Filed: **Jun. 2, 2004**

(74) *Attorney, Agent, or Firm*—Katten Muchin Rosenman  
LLP

(51) **LOC (8) Cl.** ..... **24-01**

(52) **U.S. Cl.** ..... **D24/128**

(58) **Field of Classification Search** ..... D24/128,  
D24/127; 248/121, 125.1, 124.1, 129

See application file for complete search history.

(57) **CLAIM**

We claim the ornamental design for an IV pole, as shown  
and described.

(56) **References Cited**

**DESCRIPTION**

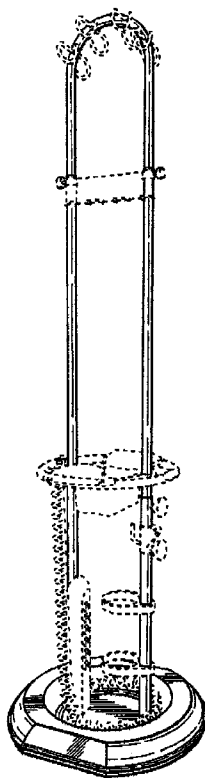
U.S. PATENT DOCUMENTS

4,173,096 A	11/1979	Meyer et al.	
4,725,027 A	2/1988	Bekanich	
4,744,536 A	5/1988	Bancalari	
4,892,279 A	1/1990	Lafferty et al.	
4,905,944 A	3/1990	Jost et al.	
5,038,819 A	8/1991	Sutphen	
D326,969 S *	6/1992	Eason et al. ....	D24/128
5,135,191 A	8/1992	Schmuhl	
D332,311 S *	1/1993	Redding .....	D24/128

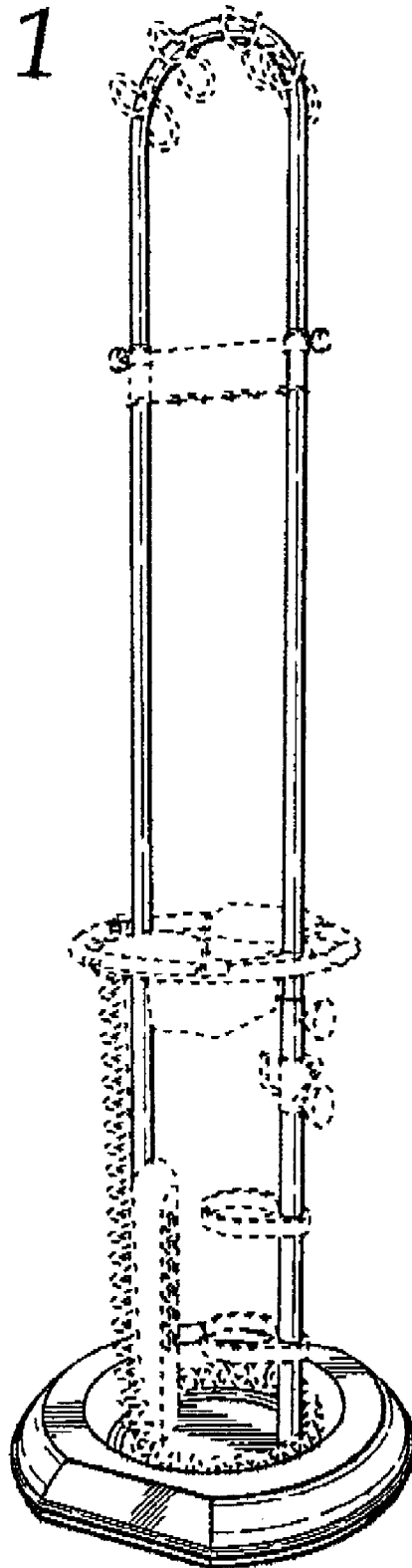
FIG. 1 is a perspective view of an IV pole;  
FIG. 2 is a left side view of the IV pole;  
FIG. 3 is a right side view of the IV pole;  
FIG. 4 is a back view of the IV pole;  
FIG. 5 is a front view of the IV pole; and,  
FIG. 6 is a top view of the IV pole.

The broken lines shown in FIGS. 1–6 are for illustrative  
purposes only and form no part of the claimed design.

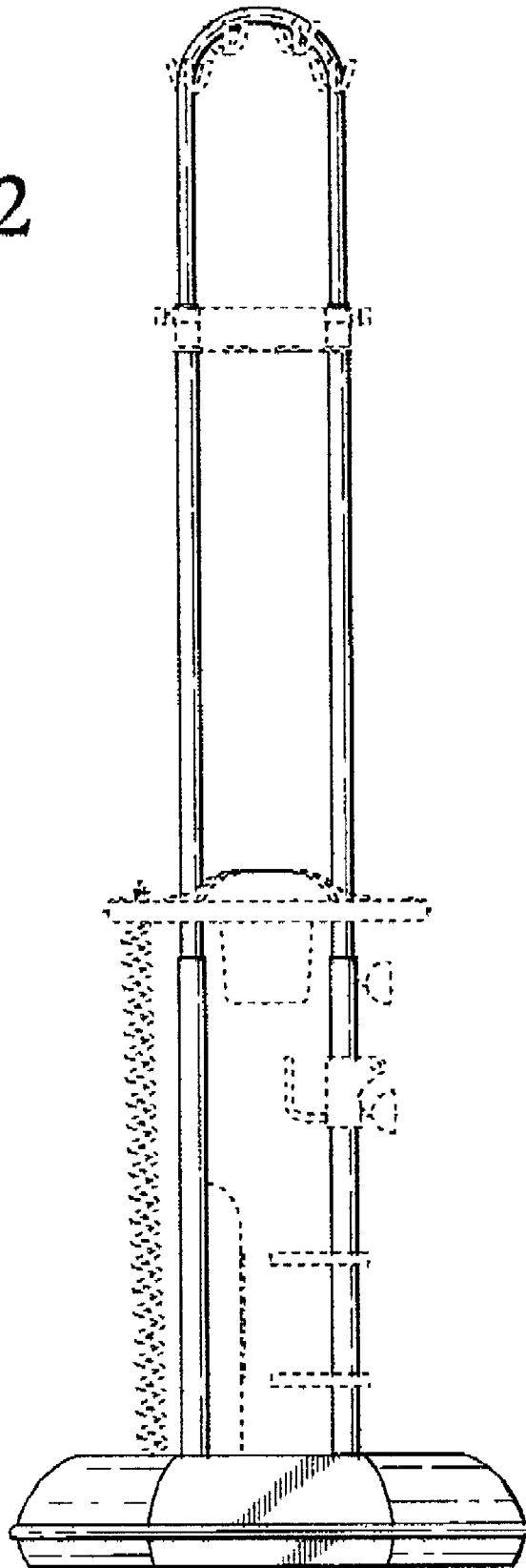
**1 Claim, 6 Drawing Sheets**



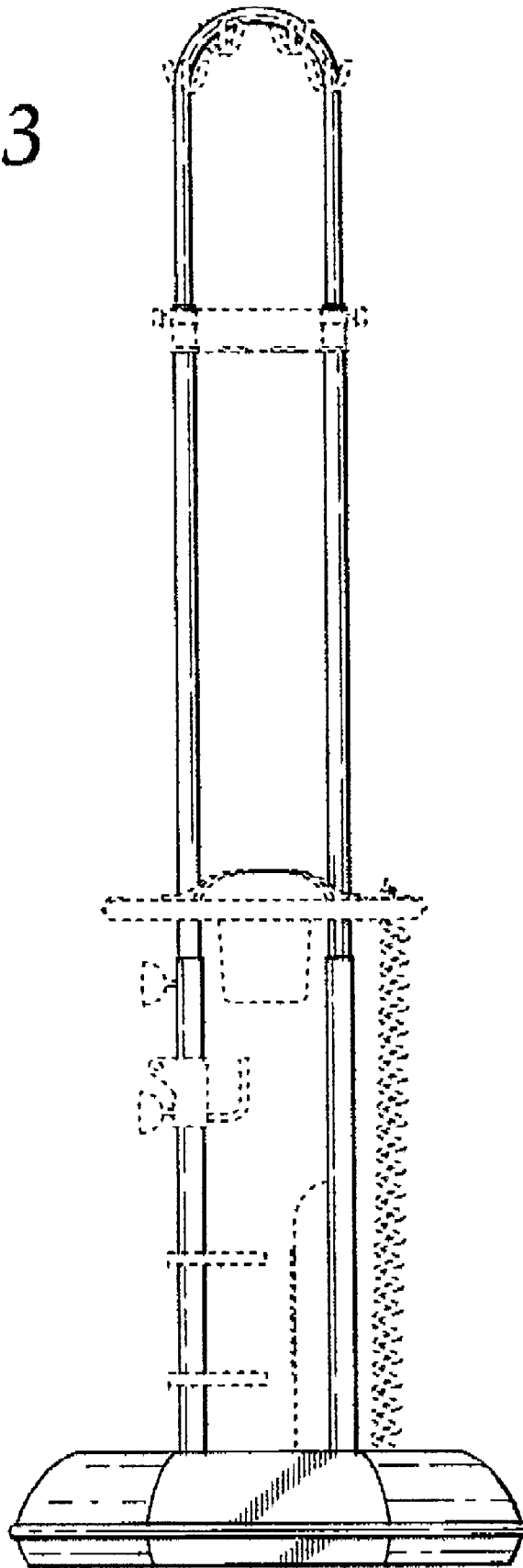
*Fig. 1*



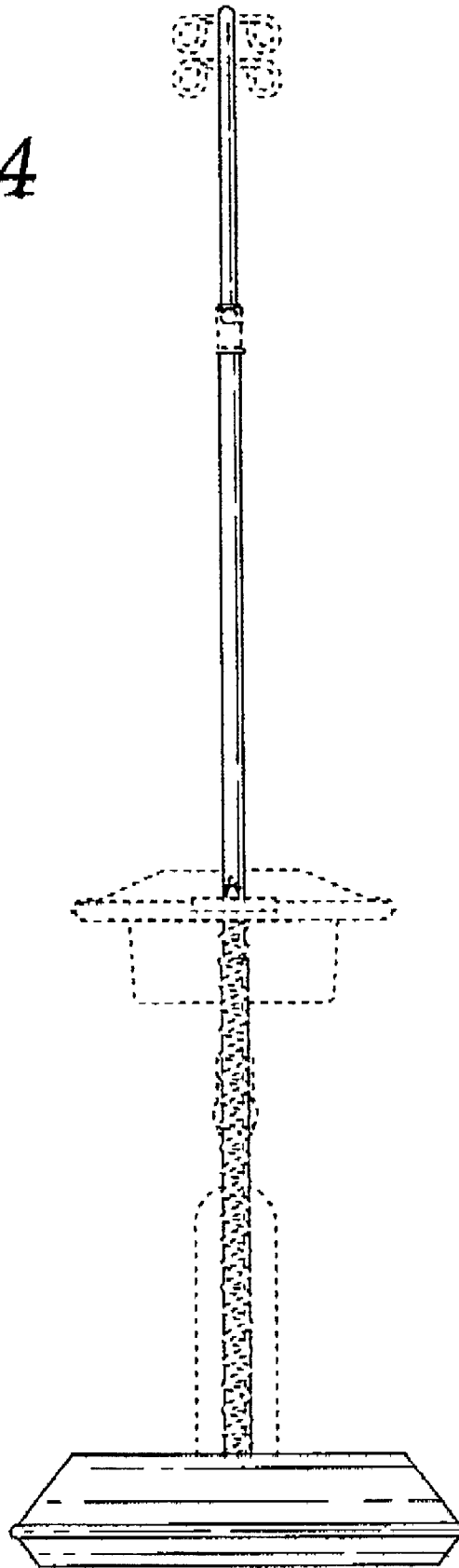
*Fig. 2*



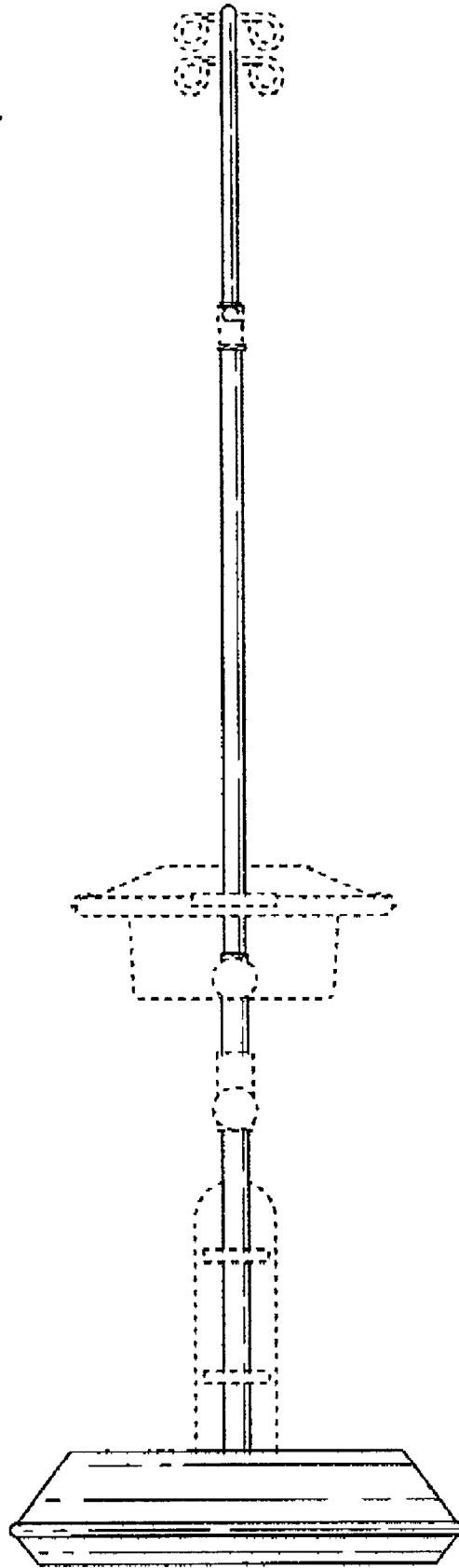
*Fig. 3*



*Fig. 4*



*Fig. 5*



*Fig. 6*

