



US00D610564S

(12) **United States Design Patent**
Schellen

(10) **Patent No.:** **US D610,564 S**

(45) **Date of Patent:** **** Feb. 23, 2010**

(54) **HANDSET**

(75) Inventor: **Joeske Schellen**, London (GB)

(73) Assignee: **Nokia Corporation**, Espoo (FI)

(**) Term: **14 Years**

(21) Appl. No.: **29/320,930**

(22) Filed: **Jul. 8, 2008**

(51) **LOC (9) Cl.** **14-03**

(52) **U.S. Cl.** **D14/138 AA**

(58) **Field of Classification Search** D14/137,
D14/138, 138 AA, 138 R, 147-148, 156,
D14/218, 247-248, 341-347, 390, 399, 455-456,
D14/496; D16/208; D21/329, 331, 333,
D21/517; 348/14.01-14.02; 361/814; 379/433.01-433.13;
455/90.3, 556.1-556.2, 566, 575.1, 575.3,
455/575.4; D13/164, 168; 439/165; 343/702;
345/167, 168, 169

See application file for complete search history.

(56) **References Cited**

U.S. PATENT DOCUMENTS

D546,314 S *	7/2007	Im	D14/138 AA
D549,208 S *	8/2007	Huang et al.	D14/138 AA
D556,171 S *	11/2007	Lee et al.	D14/138 AA
D563,379 S *	3/2008	Mai et al.	D14/138 AA
D564,492 S	3/2008	Lyles		
D573,130 S *	7/2008	Kim et al.	D14/138 AA
D573,967 S *	7/2008	Tsai et al.	D14/138 AA
D574,800 S *	8/2008	Stillerman	D14/138 AA
D574,805 S	8/2008	Cobb		
D577,351 S *	9/2008	Kim et al.	D14/138 AA
D583,343 S *	12/2008	Lee et al.	D14/138 AA
D584,269 S *	1/2009	Baik et al.	D14/138 AA
D584,271 S *	1/2009	Ko et al.	D14/138 R
D585,039 S *	1/2009	Wang et al.	D14/138 R

2007/0287302 A1* 12/2007 Lindberg et al. 439/38

FOREIGN PATENT DOCUMENTS

WO DM/069167 * 7/2007

OTHER PUBLICATIONS

Vodafone 226 pictures, announced Jul. 2007, <URL:http://www.gsmarena.com/vodafone_226-pictures-2451.php>, retrieved from internet Jan. 28, 2009 5:47:37 PM.*

Sony Ericsson K770, announced Aug. 2007, <URL:http://www.gsmarena.com/sony_ericsson_k770-pictures-2052.php>, retrieved from internet Jan. 28, 2009 5:51:25 PM.*

* cited by examiner

Primary Examiner—Ian Simmons

Assistant Examiner—Carla Jobe Wright

(74) *Attorney, Agent, or Firm*—Banner & Witcoff, Ltd.

(57) **CLAIM**

The ornamental design for a handset, as shown and described.

DESCRIPTION

FIG. 1 is a perspective front view of a handset showing my new design;

FIG. 2 is a front view thereof;

FIG. 3 is a rear view thereof;

FIG. 4 is a right side view thereof;

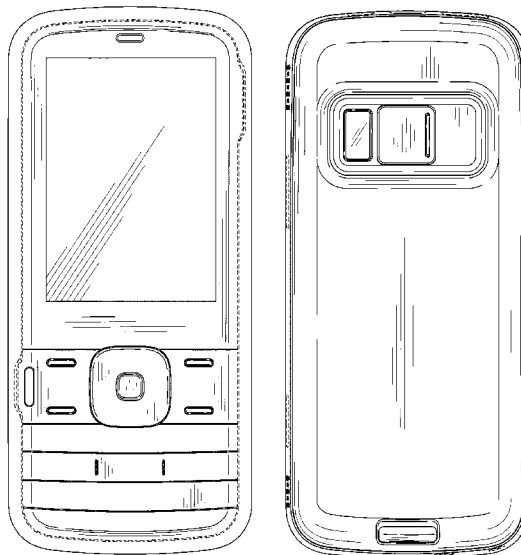
FIG. 5 is a left side view thereof;

FIG. 6 is a top view thereof; and,

FIG. 7 is a bottom view thereof.

The broken lines immediately adjacent to the shaded areas, which define the unshaded regions, represent the bounds of the claimed design while all other broken lines are directed to environment and are for illustrative purposes only. The broken lines and unshaded regions within the broken lines form no part of the claimed design.

1 Claim, 5 Drawing Sheets



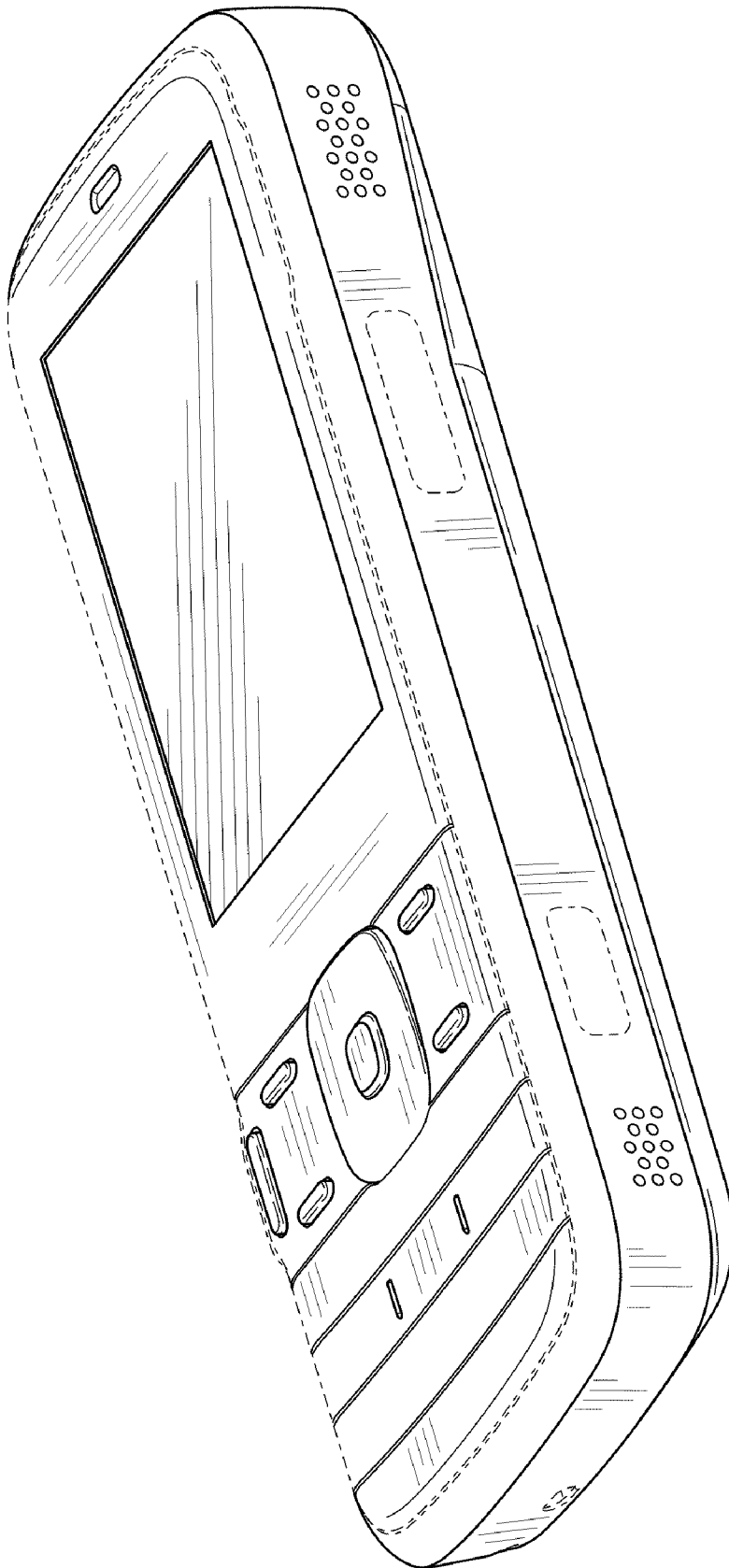


FIG. 1

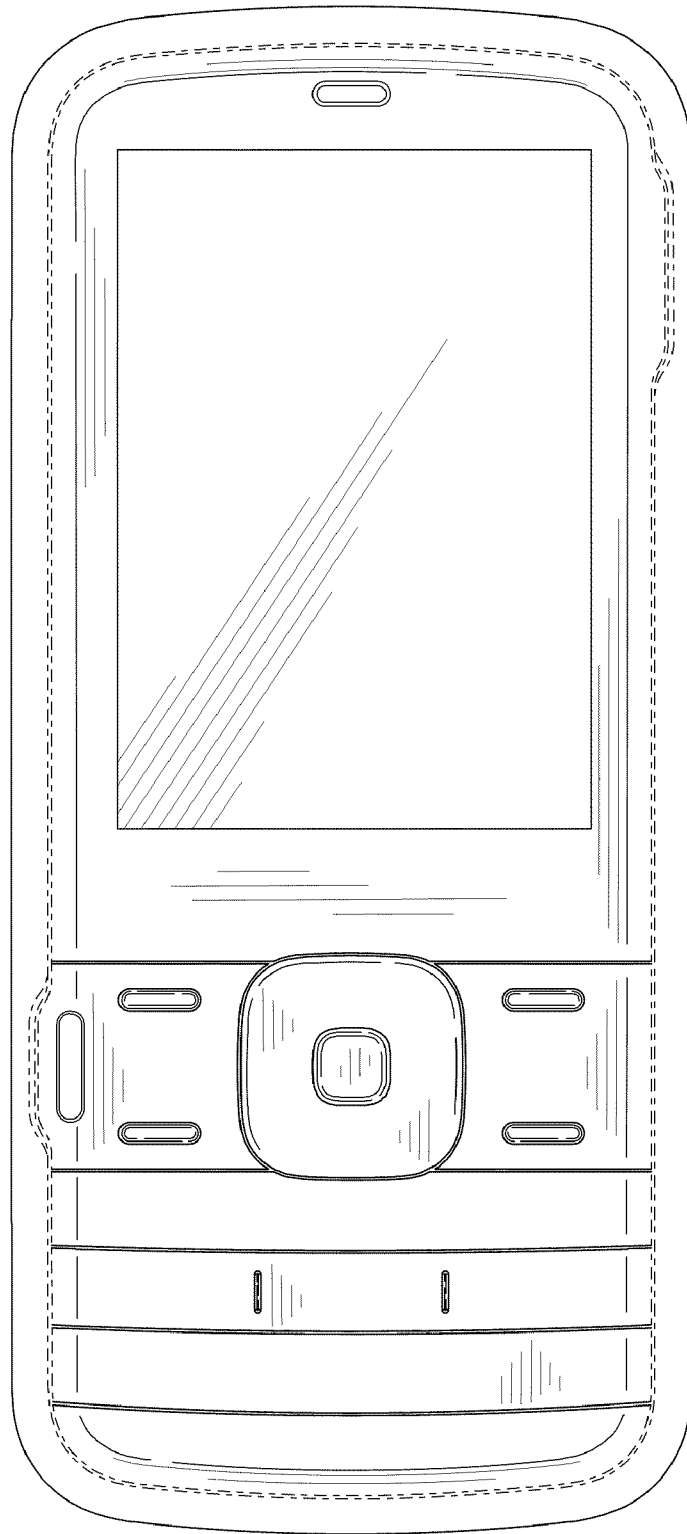


FIG. 2

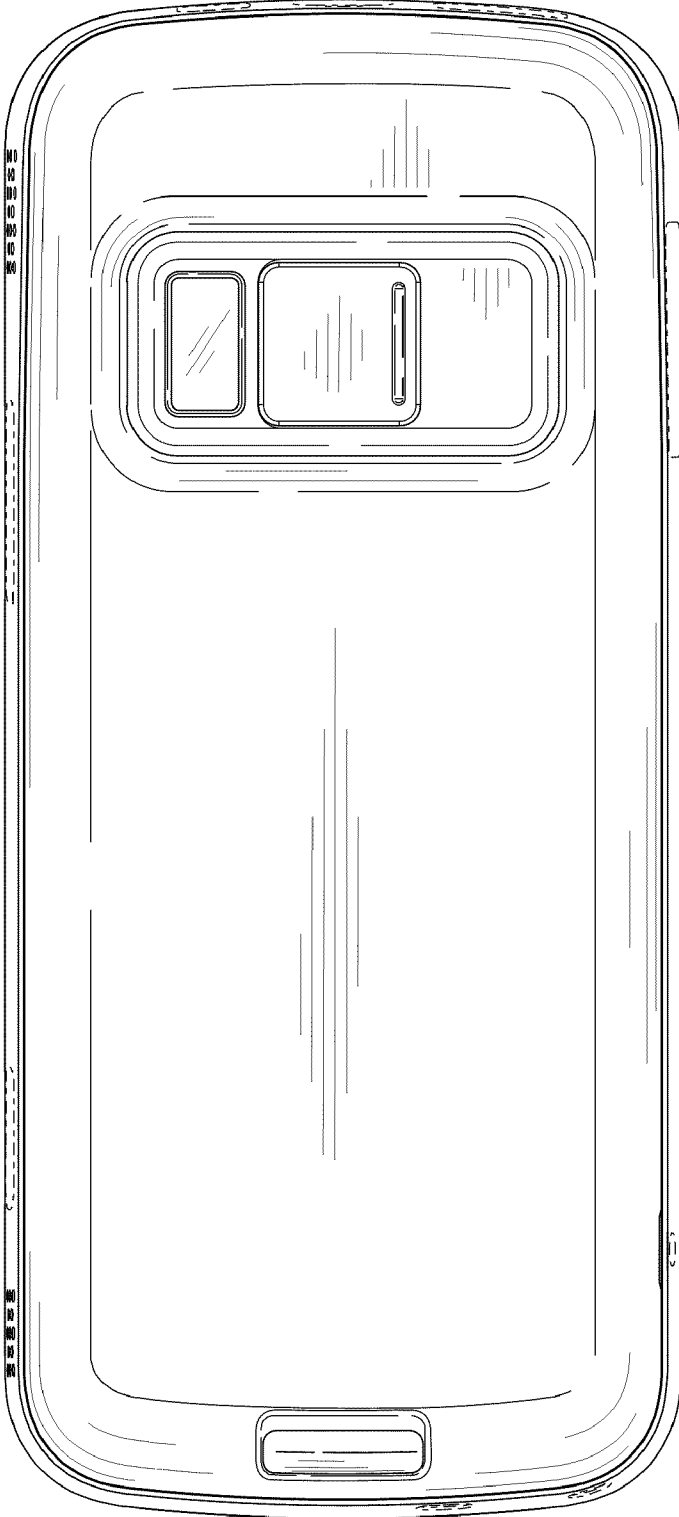


FIG. 3

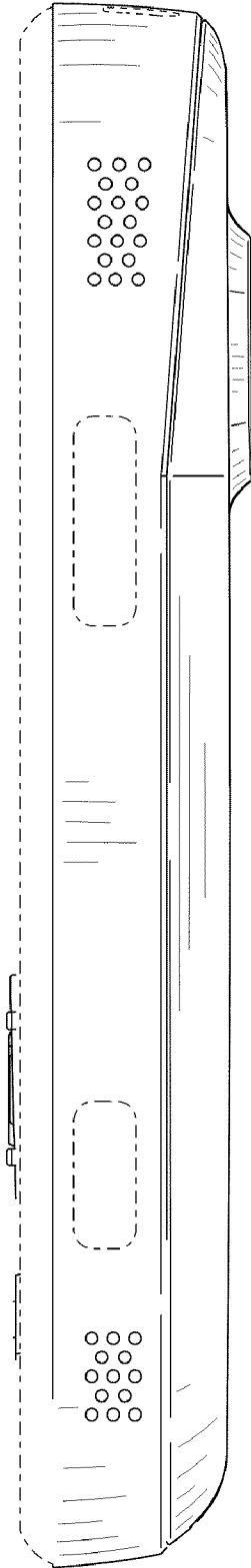


FIG. 4

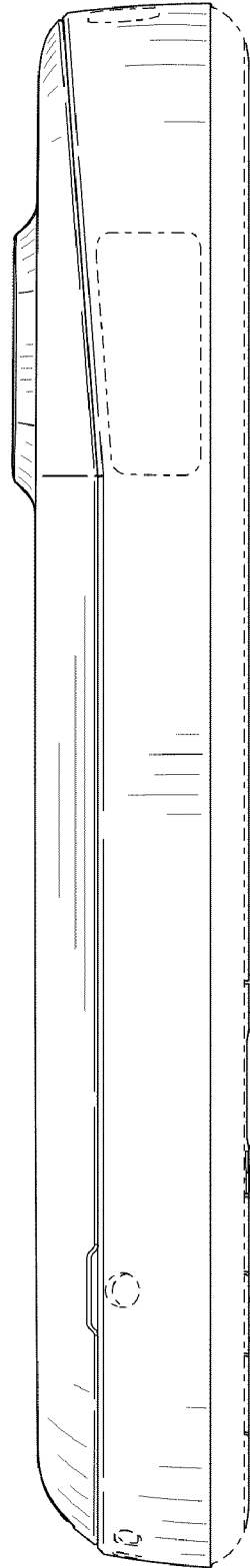


FIG. 5

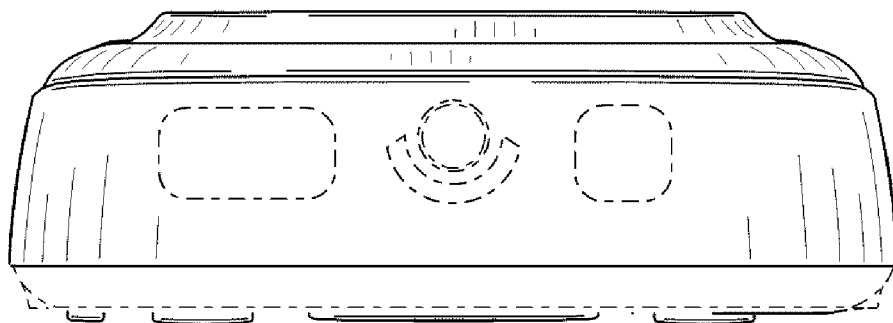


FIG. 6

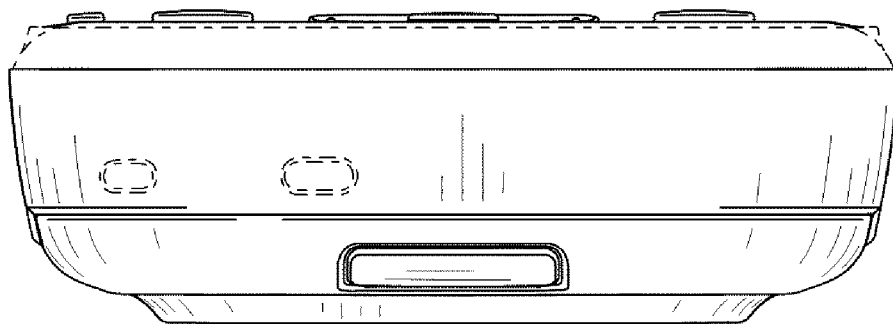


FIG. 7