

(19) World Intellectual Property Organization
International Bureau



(43) International Publication Date
2 October 2008 (02.10.2008)

PCT

(10) International Publication Number
WO 2008/118564 A3

- (51) International Patent Classification:
A61L 2/20 (2006.01)
- (21) International Application Number:
PCT/US2008/054339
- (22) International Filing Date:
20 February 2008 (20.02.2008)
- (25) Filing Language: English
- (26) Publication Language: English
- (30) Priority Data:
60/893,134 6 March 2007 (06.03.2007) US
60/962,876 1 August 2007 (01.08.2007) US
- (71) Applicant (for all designated States except US): **STERIS INC.** [US/US]; 43425 Business Park Drive, Temecula, California 92590 (US).
- (72) Inventors; and
- (75) Inventors/Applicants (for US only): **WEISS, Richard A.** [US/US]; 5741 Noble Court, Willoughby, Ohio 44094 (US). **CENTANNI, Michael A.** [US/US]; 7335 Beresford Avenue, Parma, Ohio 44130 (US).
- (74) Agent: **DUCHEZ, Neil, A.**; Renner, Otto, Boisselle & Sklar, LLP, 1621 Euclid Avenue, 19th Floor, Cleveland, Ohio 44115-2191 (US).

- (81) Designated States (unless otherwise indicated, for every kind of national protection available): AE, AG, AL, AM, AO, AT, AU, AZ, BA, BB, BG, BH, BR, BW, BY, BZ, CA, CH, CN, CO, CR, CU, CZ, DE, DK, DM, DO, DZ, EC, EE, EG, ES, FI, GB, GD, GE, GH, GM, GT, HN, HR, HU, ID, IL, IN, IS, JP, KE, KG, KM, KN, KP, KR, KZ, LA, LC, LK, LR, LS, LT, LU, LY, MA, MD, ME, MG, MK, MN, MW, MX, MY, MZ, NA, NG, NI, NO, NZ, OM, PG, PH, PL, PT, RO, RS, RU, SC, SD, SE, SG, SK, SL, SM, SV, SY, TJ, TM, TN, TR, TT, TZ, UA, UG, US, UZ, VC, VN, ZA, ZM, ZW.
- (84) Designated States (unless otherwise indicated, for every kind of regional protection available): ARIPO (BW, GH, GM, KE, LS, MW, MZ, NA, SD, SL, SZ, TZ, UG, ZM, ZW), Eurasian (AM, AZ, BY, KG, KZ, MD, RU, TJ, TM), European (AT, BE, BG, CH, CY, CZ, DE, DK, EE, ES, FI, FR, GB, GR, HR, HU, IE, IS, IT, LT, LU, LV, MC, MT, NL, NO, PL, PT, RO, SE, SI, SK, TR), OAPI (BF, BJ, CF, CG, CI, CM, GA, GN, GQ, GW, ML, MR, NE, SN, TD, TG).

- Published:
 - with international search report
 - before the expiration of the time limit for amending the claims and to be republished in the event of receipt of amendments
- (88) Date of publication of the international search report:
24 December 2008

(54) Title: DECONTAMINATION UNIT AND PROCESS

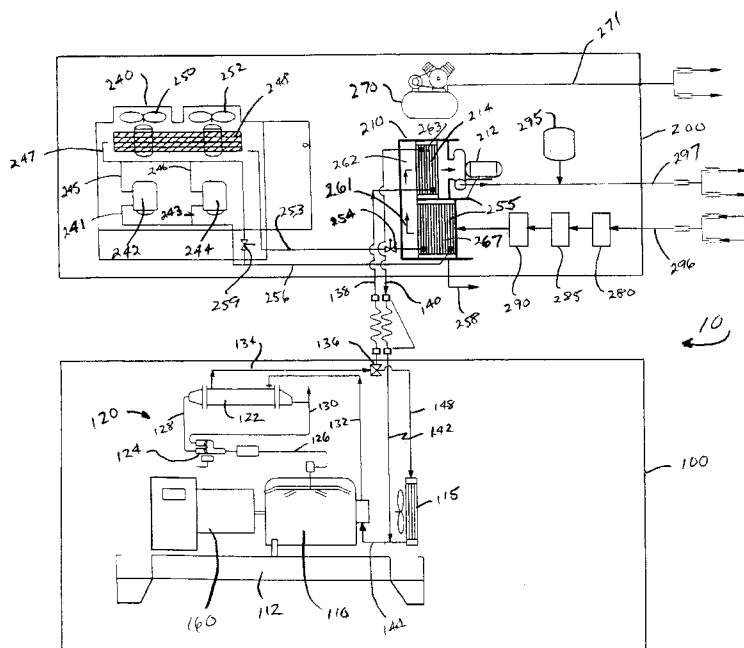


FIG. 1

(57) Abstract: The disclosed invention relates to a decontamination unit which is energy efficient and may be used to decontaminate a large enclosure such as a multi-room building. The invention also relates to a decontamination process. The decontamination unit may be ruggedized for use in hostile environments such as those that may be anticipated for military applications.

WO 2008/118564 A3

INTERNATIONAL SEARCH REPORT

International application No
PCT/US2008/054339

A. CLASSIFICATION OF SUBJECT MATTER INV. A61L2/20		
According to International Patent Classification (IPC) or to both national classification and IPC		
B. FIELDS SEARCHED		
Minimum documentation searched (classification system followed by classification symbols) A61L		
Documentation searched other than minimum documentation to the extent that such documents are included in the fields searched		
Electronic data base consulted during the international search (name of data base and, where practical, search terms used) EPO-Internal		
C. DOCUMENTS CONSIDERED TO BE RELEVANT		
Category*	Citation of document, with indication, where appropriate, of the relevant passages	Relevant to claim No.
A	US 2 404 778 A (ALLISON DONALD K) 30 July 1946 (1946-07-30) column 1, lines 4-7,45-47; figure 1 column 2, lines 10-35 column 3, lines 3-38	1-34
A	US 2006/289490 A1 (MIELNIK THADDEUS J [US]) 28 December 2006 (2006-12-28) the whole document	1-34
A	US 2006/088441 A1 (HILL AARON L [US]) 27 April 2006 (2006-04-27) paragraphs [0033], [0034], [0037], [0038]; figure 1	1-34
A	US 4 342 200 A (LOWI JR ALVIN) 3 August 1982 (1982-08-03) the whole document	1-34
-/--		
<input checked="" type="checkbox"/> Further documents are listed in the continuation of Box C. <input checked="" type="checkbox"/> See patent family annex.		
* Special categories of cited documents : *A* document defining the general state of the art which is not considered to be of particular relevance *E* earlier document but published on or after the international filing date *L* document which may throw doubts on priority claim(s) or which is cited to establish the publication date of another citation or other special reason (as specified) *O* document referring to an oral disclosure, use, exhibition or other means *P* document published prior to the international filing date but later than the priority date claimed *T* later document published after the international filing date or priority date and not in conflict with the application but cited to understand the principle or theory underlying the invention *X* document of particular relevance; the claimed invention cannot be considered novel or cannot be considered to involve an inventive step when the document is taken alone *Y* document of particular relevance; the claimed invention cannot be considered to involve an inventive step when the document is combined with one or more other such documents, such combination being obvious to a person skilled in the art. *&* document member of the same patent family		
Date of the actual completion of the international search 14 October 2008		Date of mailing of the international search report 28/10/2008
Name and mailing address of the ISA European Patent Office, P.B. 5818 Patentlaan 2. NL - 2280 HV Rijswijk Tel. (+31-70) 340-2040, Fax: (+31-70) 340-3016		Authorized officer Nissen, Vagn

INTERNATIONAL SEARCH REPORT

International application No

PCT/US2008/054339

C(Continuation). DOCUMENTS CONSIDERED TO BE RELEVANT		
Category	Citation of document, with indication, where appropriate, of the relevant passages	Relevant to claim No.
A	WO 2004/110504 A (SAFE HAVEN INC [US]; BERRY LAMBERT DARRYL [US]) 23 December 2004 (2004-12-23) page 4, lines 19-27 page 7, lines 8-16 -----	1-34

INTERNATIONAL SEARCH REPORT

Information on patent family members

International application No. PCT/US2008/054339
--

Patent document cited in search report	A	Publication date	Patent family member(s)	Publication date
US 2404778	A	30-07-1946	NONE	
US 2006289490	A1	28-12-2006	AU 2006261863 A1 CA 2608396 A1 EP 1888128 A2 KR 20080022130 A WO 2007002581 A2	04-01-2007 04-01-2007 20-02-2008 10-03-2008 04-01-2007
US 2006088441	A1	27-04-2006	AU 2005300089 A1 CA 2583776 A1 CN 101080242 A EP 1802353 A2 JP 2008517650 T KR 20070083738 A WO 2006046993 A2	04-05-2006 04-05-2006 28-11-2007 04-07-2007 29-05-2008 24-08-2007 04-05-2006
US 4342200	A	03-08-1982	NONE	
WO 2004110504	A	23-12-2004	AU 2004247156 A1 CA 2528867 A1 EP 1638614 A1 JP 2007511253 T US 2006165563 A1	23-12-2004 23-12-2004 29-03-2006 10-05-2007 27-07-2006