

(19) World Intellectual Property Organization
International Bureau



(43) International Publication Date
9 February 2006 (09.02.2006)

PCT

(10) International Publication Number
WO 2006/014177 A3

(51) International Patent Classification:

H04L 12/28 (2006.01) H04J 3/22 (2006.01)
H04L 12/56 (2006.01) H04J 3/24 (2006.01)
H04J 3/16 (2006.01)

(21) International Application Number:

PCT/US2004/031181

(22) International Filing Date:

23 September 2004 (23.09.2004)

(25) Filing Language:

English

(26) Publication Language:

English

(30) Priority Data:

10/710,336 1 July 2004 (01.07.2004) US

(71) Applicant (for all designated States except US):

TRANSPACE TECH CO., LTD [US/US]; 1308 Delaware Avenue Wilmington, New Castle County, DE 19806 (US).

(72) Inventor; and

(75) Inventor/Applicant (for US only): CHEN, Heng-Chien; 4 Fl., No 106, Shih-Shang Rd., Shih-Lin Chiu, Taipei City (TW).

(74) Agent: HSU, Winston; P.O. Box 506, Merrifield, VA 22116 (US).

(81) Designated States (unless otherwise indicated, for every kind of national protection available): AE, AG, AL, AM,

AT, AU, AZ, BA, BB, BG, BR, BW, BY, BZ, CA, CH, CN, CO, CR, CU, CZ, DE, DK, DM, DZ, EC, EE, EG, ES, FI, GB, GD, GE, GH, GM, HR, HU, ID, IL, IN, IS, JP, KE, KG, KP, KR, KZ, LC, LK, LR, LS, LT, LU, LV, MA, MD, MG, MK, MN, MW, MX, MZ, NA, NI, NO, NZ, OM, PG, PH, PL, PT, RO, RU, SC, SD, SE, SG, SK, SL, SY, TJ, TM, TN, TR, TT, TZ, UA, UG, US, UZ, VC, VN, YU, ZA, ZM, ZW.

(84) Designated States (unless otherwise indicated, for every kind of regional protection available):

ARIPO (BW, GH, GM, KE, LS, MW, MZ, NA, SD, SL, SZ, TZ, UG, ZM, ZW), Eurasian (AM, AZ, BY, KG, KZ, MD, RU, TJ, TM), European (AT, BE, BG, CH, CY, CZ, DE, DK, EE, ES, FI, FR, GB, GR, HU, IE, IT, LU, MC, NL, PL, PT, RO, SE, SI, SK, TR), OAPI (BF, BJ, CF, CG, CI, CM, GA, GN, GQ, GW, ML, MR, NE, SN, TD, TG).

Declarations under Rule 4.17:

- as to applicant's entitlement to apply for and be granted a patent (Rule 4.17(ii))
- as to the applicant's entitlement to claim the priority of the earlier application (Rule 4.17(iii))
- of inventorship (Rule 4.17(iv))

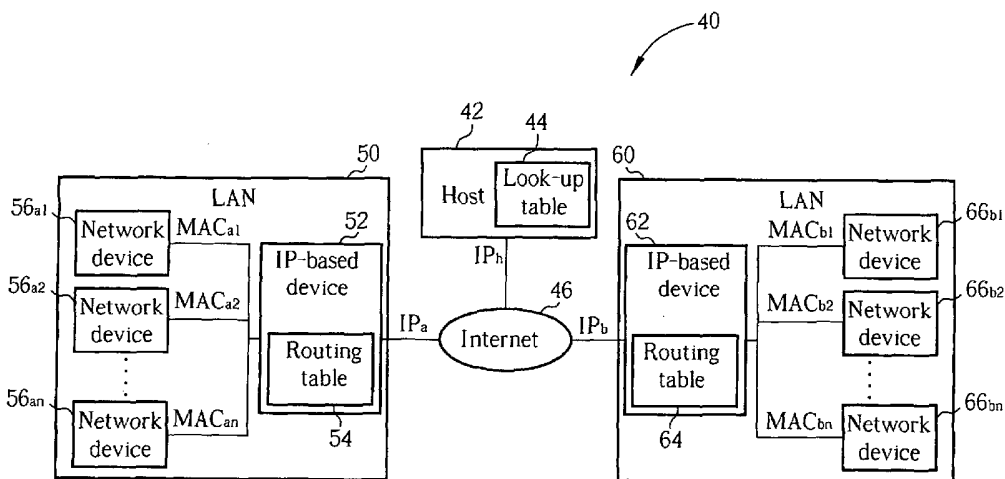
Published:

- with international search report

(88) Date of publication of the international search report: 20 April 2006

[Continued on next page]

(54) Title: NETWORK SYSTEM AND CONNECTING METHOD THEREOF



(57) Abstract: A network system and a connecting method thereof. The network system includes a first network device having a first MAC address, a second network device having a second MAC address, a first IP-based device having a first IP address for transmitting the data to the first network device through the first MAC address, a second IP-based device having a second IP address for receiving the data outputted from the second network device through the second MAC address, and a host having a predetermined IP address and being connected to the first IP-based device and the second IP-based device through the predetermined IP address, the first IP address, and the second IP address. The host has a look-up table for recording the first MAC address mapping to the first IP address, wherein the second IP-based device checks the look-up table for directing the data to the first IP-based device.

WO 2006/014177 A3



For two-letter codes and other abbreviations, refer to the "Guidance Notes on Codes and Abbreviations" appearing at the beginning of each regular issue of the PCT Gazette.

INTERNATIONAL SEARCH REPORT

International application No.

PCT/US04/31181

<p>A. CLASSIFICATION OF SUBJECT MATTER IPC(7) : H04L 12/28, 12/56; H04J 3/16, 3/22, 3/24 US CL : 370/ 395.31, 395.2, 466, 469, 475 According to International Patent Classification (IPC) or to both national classification and IPC</p>																	
<p>B. FIELDS SEARCHED Minimum documentation searched (classification system followed by classification symbols) U.S. : 370/ 395.31, 395.2, 466, 469, 475</p> <p>Documentation searched other than minimum documentation to the extent that such documents are included in the fields searched</p> <p>Electronic data base consulted during the international search (name of data base and, where practicable, search terms used) EAST: medium access control address, internet protocol address, local area network, routing table</p>																	
<p>C. DOCUMENTS CONSIDERED TO BE RELEVANT</p> <table border="1"> <thead> <tr> <th>Category *</th> <th>Citation of document, with indication, where appropriate, of the relevant passages</th> <th>Relevant to claim No.</th> </tr> </thead> <tbody> <tr> <td>A</td> <td>US 6,026,086 A (LANCELOT et al) 15 February 2000 (15.02.2000), column 2 line 61 - column 4 line 9.</td> <td>1,4,5,6</td> </tr> <tr> <td>A</td> <td>US 5,796,742 A (KLOTZBACH et al) 18 August 1998 (18.08.1998), column 3 lines 20-27, column 5 lines 5-18, Figure 1, Figure 2B.</td> <td>1,5,6</td> </tr> <tr> <td>A</td> <td>US 2002/0154644 A1 (LINDEMANN et al) 24 October 2002 (24.10.2002), page 1 paragraphs 3 & 13, page 2 paragraph 16.</td> <td>1,6</td> </tr> <tr> <td>A</td> <td>US 6,741,594 B1 (TZENG et al) 25 May 2004 (25.05.2004), Figure 1.</td> <td>1,6</td> </tr> </tbody> </table>			Category *	Citation of document, with indication, where appropriate, of the relevant passages	Relevant to claim No.	A	US 6,026,086 A (LANCELOT et al) 15 February 2000 (15.02.2000), column 2 line 61 - column 4 line 9.	1,4,5,6	A	US 5,796,742 A (KLOTZBACH et al) 18 August 1998 (18.08.1998), column 3 lines 20-27, column 5 lines 5-18, Figure 1, Figure 2B.	1,5,6	A	US 2002/0154644 A1 (LINDEMANN et al) 24 October 2002 (24.10.2002), page 1 paragraphs 3 & 13, page 2 paragraph 16.	1,6	A	US 6,741,594 B1 (TZENG et al) 25 May 2004 (25.05.2004), Figure 1.	1,6
Category *	Citation of document, with indication, where appropriate, of the relevant passages	Relevant to claim No.															
A	US 6,026,086 A (LANCELOT et al) 15 February 2000 (15.02.2000), column 2 line 61 - column 4 line 9.	1,4,5,6															
A	US 5,796,742 A (KLOTZBACH et al) 18 August 1998 (18.08.1998), column 3 lines 20-27, column 5 lines 5-18, Figure 1, Figure 2B.	1,5,6															
A	US 2002/0154644 A1 (LINDEMANN et al) 24 October 2002 (24.10.2002), page 1 paragraphs 3 & 13, page 2 paragraph 16.	1,6															
A	US 6,741,594 B1 (TZENG et al) 25 May 2004 (25.05.2004), Figure 1.	1,6															
<input type="checkbox"/> Further documents are listed in the continuation of Box C.		<input type="checkbox"/> See patent family annex.															
<p>* Special categories of cited documents:</p> <table border="0"> <tr> <td>"A" document defining the general state of the art which is not considered to be of particular relevance</td> <td>"T" later document published after the international filing date or priority date and not in conflict with the application but cited to understand the principle or theory underlying the invention</td> </tr> <tr> <td>"B" earlier application or patent published on or after the international filing date</td> <td>"X" document of particular relevance; the claimed invention cannot be considered novel or cannot be considered to involve an inventive step when the document is taken alone</td> </tr> <tr> <td>"L" document which may throw doubts on priority claim(s) or which is cited to establish the publication date of another citation or other special reason (as specified)</td> <td>"Y" document of particular relevance; the claimed invention cannot be considered to involve an inventive step when the document is combined with one or more other such documents, such combination being obvious to a person skilled in the art</td> </tr> <tr> <td>"O" document referring to an oral disclosure, use, exhibition or other means</td> <td>"&" document member of the same patent family</td> </tr> <tr> <td>"P" document published prior to the international filing date but later than the priority date claimed</td> <td></td> </tr> </table>			"A" document defining the general state of the art which is not considered to be of particular relevance	"T" later document published after the international filing date or priority date and not in conflict with the application but cited to understand the principle or theory underlying the invention	"B" earlier application or patent published on or after the international filing date	"X" document of particular relevance; the claimed invention cannot be considered novel or cannot be considered to involve an inventive step when the document is taken alone	"L" document which may throw doubts on priority claim(s) or which is cited to establish the publication date of another citation or other special reason (as specified)	"Y" document of particular relevance; the claimed invention cannot be considered to involve an inventive step when the document is combined with one or more other such documents, such combination being obvious to a person skilled in the art	"O" document referring to an oral disclosure, use, exhibition or other means	"&" document member of the same patent family	"P" document published prior to the international filing date but later than the priority date claimed						
"A" document defining the general state of the art which is not considered to be of particular relevance	"T" later document published after the international filing date or priority date and not in conflict with the application but cited to understand the principle or theory underlying the invention																
"B" earlier application or patent published on or after the international filing date	"X" document of particular relevance; the claimed invention cannot be considered novel or cannot be considered to involve an inventive step when the document is taken alone																
"L" document which may throw doubts on priority claim(s) or which is cited to establish the publication date of another citation or other special reason (as specified)	"Y" document of particular relevance; the claimed invention cannot be considered to involve an inventive step when the document is combined with one or more other such documents, such combination being obvious to a person skilled in the art																
"O" document referring to an oral disclosure, use, exhibition or other means	"&" document member of the same patent family																
"P" document published prior to the international filing date but later than the priority date claimed																	
Date of the actual completion of the international search 23 November 2005 (23.11.2005)		Date of mailing of the international search report 10 JAN 2006															
Name and mailing address of the ISA/US Mail Stop PCT, Attn: ISA/US Commissioner for Patents P.O. Box 1450 Alexandria, Virginia 22313-1450 Facsimile No. (571) 273-3201		Authorized officer Chi Pham Telephone No. (571) 272-2600															