



US00D676848S

(12) **United States Design Patent**
Smith et al.

(10) **Patent No.:** **US D676,848 S**

(45) **Date of Patent:** **** Feb. 26, 2013**

(54) **KEYBOARD**

(75) Inventors: **Dustin Jonathan Smith**, Kitchener (CA); **Donald Somerset McKenzie**, Waterloo (CA); **Kevin Roy Sugden**, Toronto (CA); **Shannon Tyler Moore**, Waterloo (CA); **Anders Fahrendorff**, Ottawa (CA); **Jason Tyler Grffin**, Kitchener (CA); **Laura Mahan**, Kanata (CA)

(73) Assignee: **Research In Motion limited**, Waterloo, Ontario (CA)

(**) Term: **14 Years**

(21) Appl. No.: **29/423,261**

(22) Filed: **May 30, 2012**

Related U.S. Application Data

(63) Continuation of application No. 29/414,275, filed on Feb. 27, 2012.

(51) **LOC (9) Cl.** **14-02**

(52) **U.S. Cl.** **D14/391**

(58) **Field of Classification Search** D14/240, D14/138, 318, 341, 391-399, 443, 455, 456; D18/1, 2, 7, 11; 178/17 A, 17 C; 200/5 A, 200/5 R, 6 A, 6 R; 235/145 A, 145 R; 341/20-23; 345/156, 160, 168, 169, 173; 361/679.08, 361/679.09, 679.11-679.19; 400/484-489, 400/492, 472

See application file for complete search history.

(56) **References Cited**

U.S. PATENT DOCUMENTS

D456,025 S *	4/2002	Komuta et al.	D14/439
D485,266 S *	1/2004	Wilson et al.	D14/341
D601,148 S *	9/2009	Akita	D14/391
D612,388 S *	3/2010	Chan et al.	D14/456
D620,909 S *	8/2010	Lee et al.	D14/138 AD
D645,860 S *	9/2011	Andre et al.	D14/318
2009/0111508 A1 *	4/2009	Yeh et al.	455/552.1

* cited by examiner

Primary Examiner — Freda S Nunn

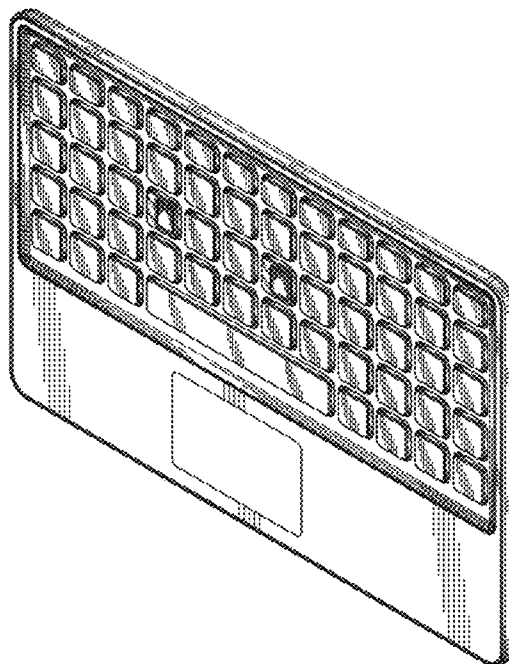
(57) **CLAIM**

We claim the ornamental design for a keyboard, as shown and described.

DESCRIPTION

FIG. 1 is a front perspective view of a keyboard; FIG. 2 is a back perspective view of the keyboard; FIG. 3 is a front elevational view thereof; FIG. 4 is a back elevational view thereof; FIG. 5 is a left elevational view thereof; FIG. 6 is a right elevational view thereof; FIG. 7 is a top plan view thereof; and, FIG. 8 is a bottom plan view thereof. The broken lines shown in the drawings of the keyboard are for illustrating portions of the article and form no part of the claimed design.

1 Claim, 6 Drawing Sheets



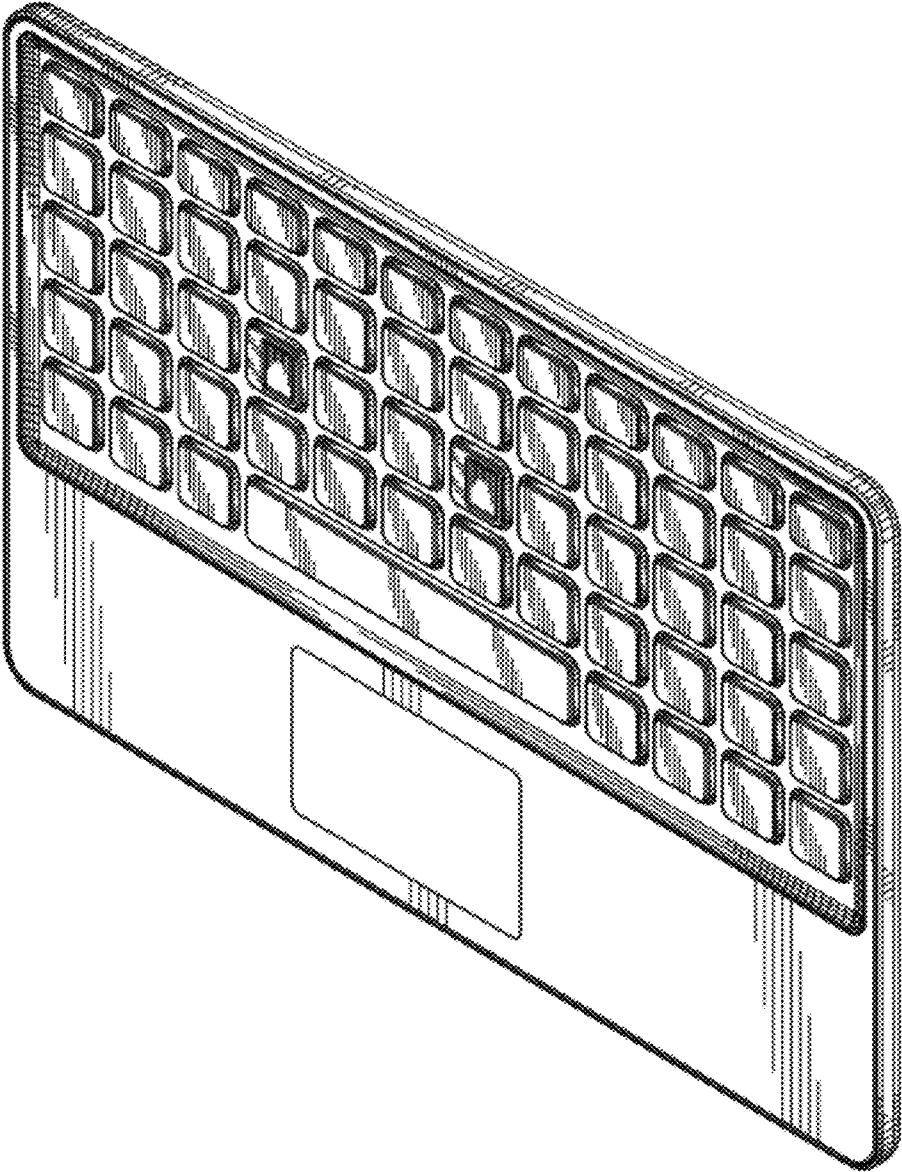


FIG.1

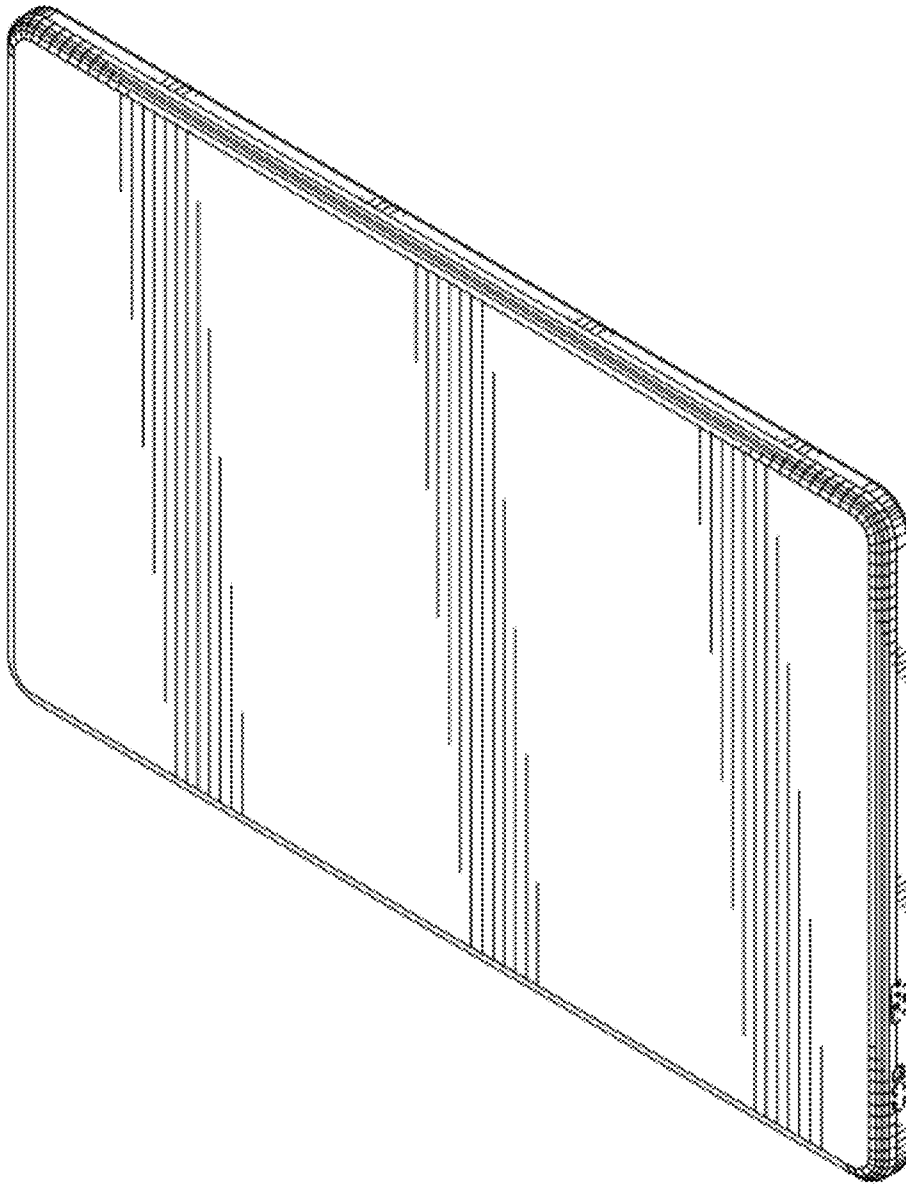


FIG.2

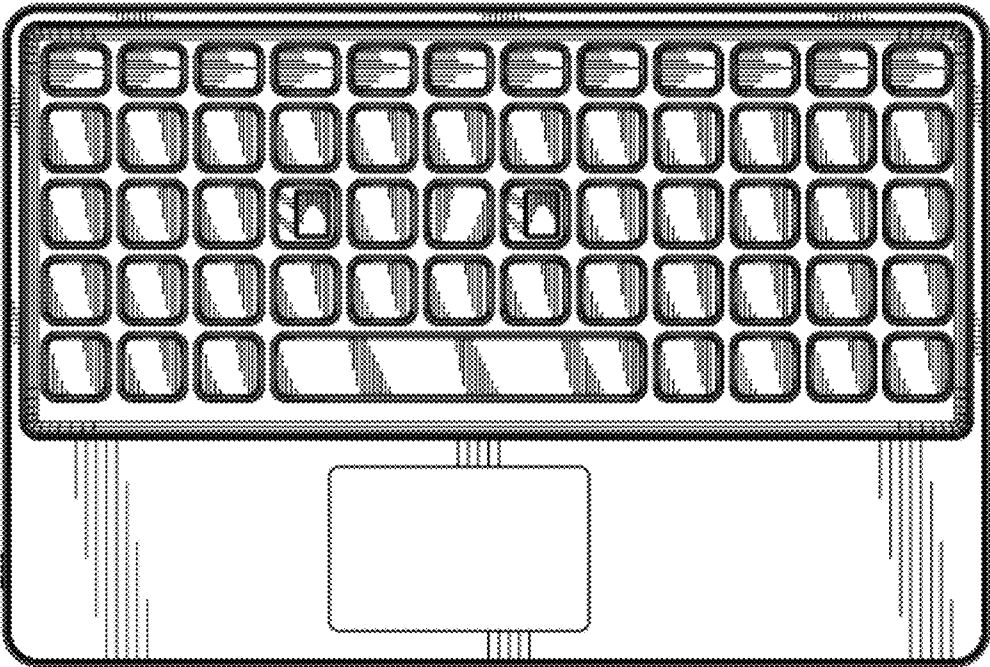


FIG.3

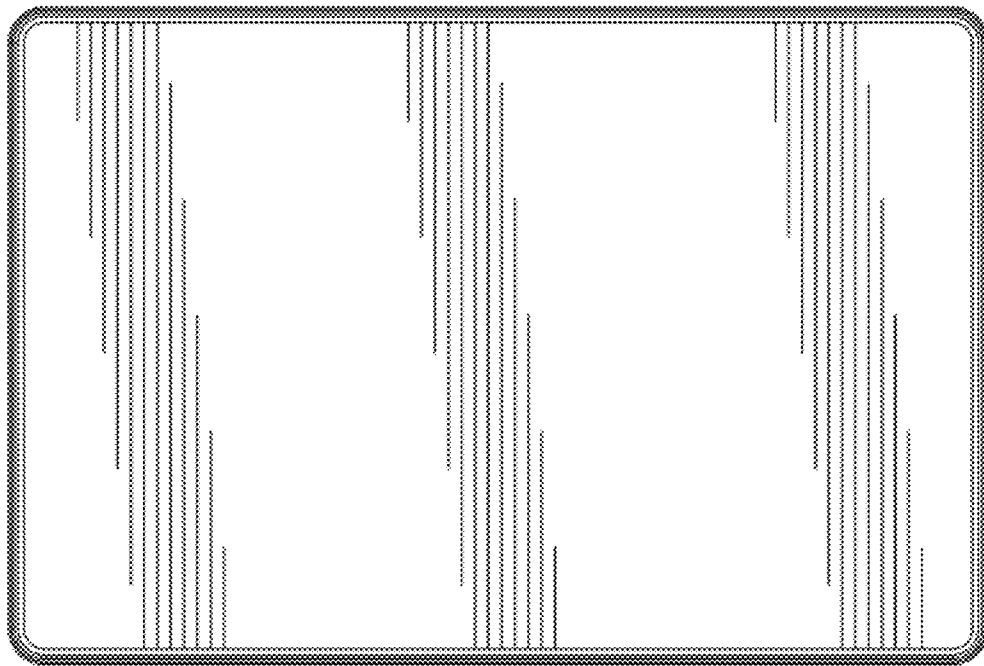


FIG.4



FIG. 5



FIG. 6



FIG. 7



FIG. 8