



US00D897540S

(12) **United States Design Patent**
Roth

(10) **Patent No.:** **US D897,540 S**

(45) **Date of Patent:** **** Sep. 29, 2020**

(54) **PATIENT TABLE**

(71) Applicant: **Siemens Healthcare GmbH**, Erlangen (DE)

(72) Inventor: **Nadja Roth**, Bamberg (DE)

(73) Assignee: **Siemens Healthcare GmbH**, Erlangen (DE)

(**) Term: **15 Years**

(21) Appl. No.: **29/662,360**

(22) Filed: **Sep. 5, 2018**

(30) **Foreign Application Priority Data**

Mar. 5, 2018 (EM) 004739035

(51) **LOC (12) Cl.** **24-02**

(52) **U.S. Cl.** **D24/183**
USPC

(58) **Field of Classification Search**
USPC D24/107, 158-161, 183-184, 200;
D6/595-596, 601, 604-605, 336-337
(Continued)

(56) **References Cited**

U.S. PATENT DOCUMENTS

D441,868 S * 5/2001 Rodenas Santiago D24/183
6,334,708 B1 * 1/2002 Kosugi A61B 6/0457
378/197

(Continued)

FOREIGN PATENT DOCUMENTS

EM 001388292 10/2013
JP 0966652 S 10/1996

(Continued)

OTHER PUBLICATIONS

Relax+ Endo. Online, published date unknown. Retrieved on Dec. 16, 2019 from URL: <https://www.dornier.com/products-item/relax-endo/>.*

(Continued)

Primary Examiner — Susan Bennett Hattan

Assistant Examiner — Omeed Agilee

(74) *Attorney, Agent, or Firm* — Schiff Hardin LLP

(57) **CLAIM**

The ornamental design for a patient table, as shown and described.

DESCRIPTION

The patent or application file contains at least one drawing executed in color. Copies of this patent or patent application publication with color drawing(s) will be provided by the Office upon request and payment of the necessary fee.

FIG. 1 is a front elevational view of a first embodiment of a patient table showing my new design;

FIG. 2 is a back elevational view thereof;

FIG. 3 is a top plan view thereof;

FIG. 4 is a bottom plan view thereof;

FIG. 5 is a right side elevational view thereof;

FIG. 6 is a left side elevational view thereof; and

FIG. 7 is a perspective view taken generally from the upper, front, right-hand side thereof.

FIG. 8 is a front elevational view of a second embodiment thereof;

FIG. 9 is a back elevational view thereof;

FIG. 10 is a top plan view thereof;

FIG. 11 is a bottom plan view thereof;

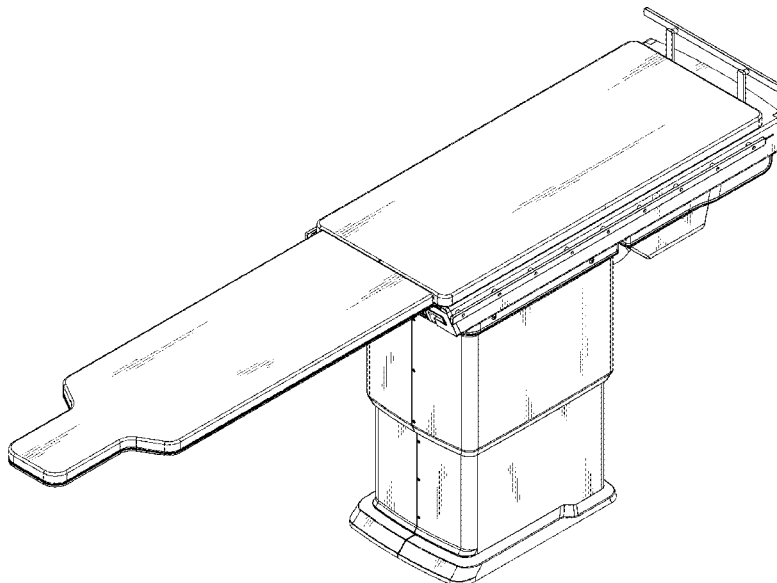
FIG. 12 is a right side elevational view thereof;

FIG. 13 is a left side elevational view thereof; and,

FIG. 14 is a perspective view taken generally from the upper, front, right-hand side thereof.

The broken lines in the drawings depict portions of the patient table that form no part of the claimed design.

1 Claim, 14 Drawing Sheets
(7 of 14 Drawing Sheet(s) Filed in Color)



US D897,540 S

Page 2

(58) **Field of Classification Search**

CPC A61B 6/04; A61B 6/0407

See application file for complete search history.

D757,940 S 5/2016 Boegel et al.
D770,049 S 10/2016 Yanagihara
D843,583 S 3/2019 Roth
D844,789 S * 4/2019 Hetz D24/183
D865,971 S * 11/2019 Doerrfuss D24/183
2009/0144902 A1* 6/2009 Baumann A61B 6/0457
5/608

(56) **References Cited**

U.S. PATENT DOCUMENTS

D462,445 S * 9/2002 Barde D24/183
6,505,364 B2* 1/2003 Simmons A61G 13/06
108/150
7,020,917 B1 4/2006 Kolody et al.
D527,459 S 8/2006 Gireesh
D630,330 S * 1/2011 Baba D24/159
D726,319 S 4/2015 Sul et al.
D727,509 S 4/2015 Tan et al.
D735,864 S 8/2015 Doerre et al.
D736,934 S 8/2015 Kim
D743,555 S 11/2015 Hasebe
D748,804 S 2/2016 Eenboom et al.
D752,757 S * 3/2016 Li D24/159

FOREIGN PATENT DOCUMENTS

JP 1123268 S 10/2001
JP 1591739 S 11/2017

OTHER PUBLICATIONS

Japanese decision to grant dated Jul. 2, 2019, in Application No. 2018-018767.

Japanese decision to grant dated Jul. 2, 2019, in Application No. 2018-018766.

* cited by examiner

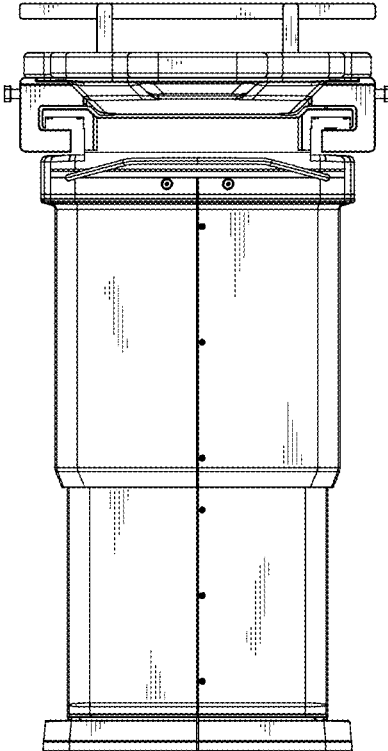


FIG. 1

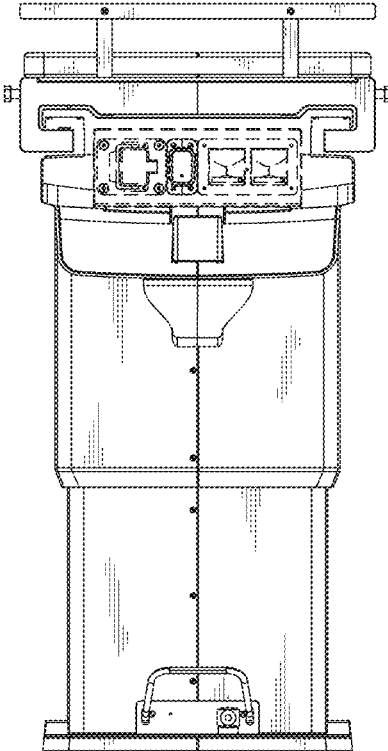


FIG. 2

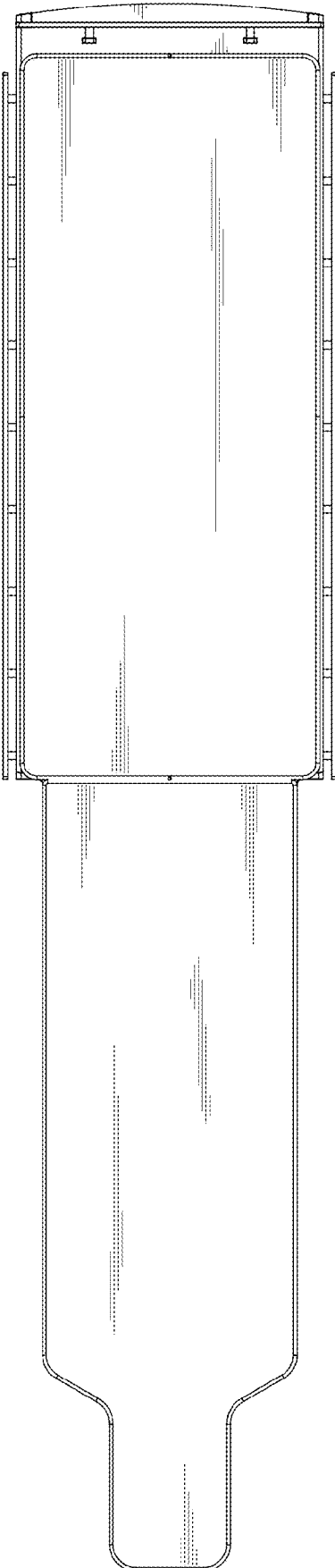


FIG. 3

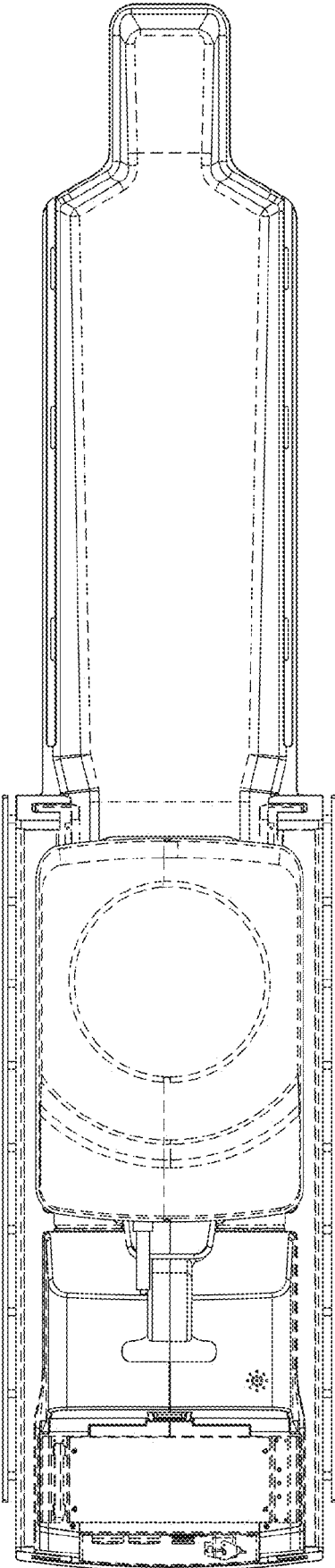


FIG. 4

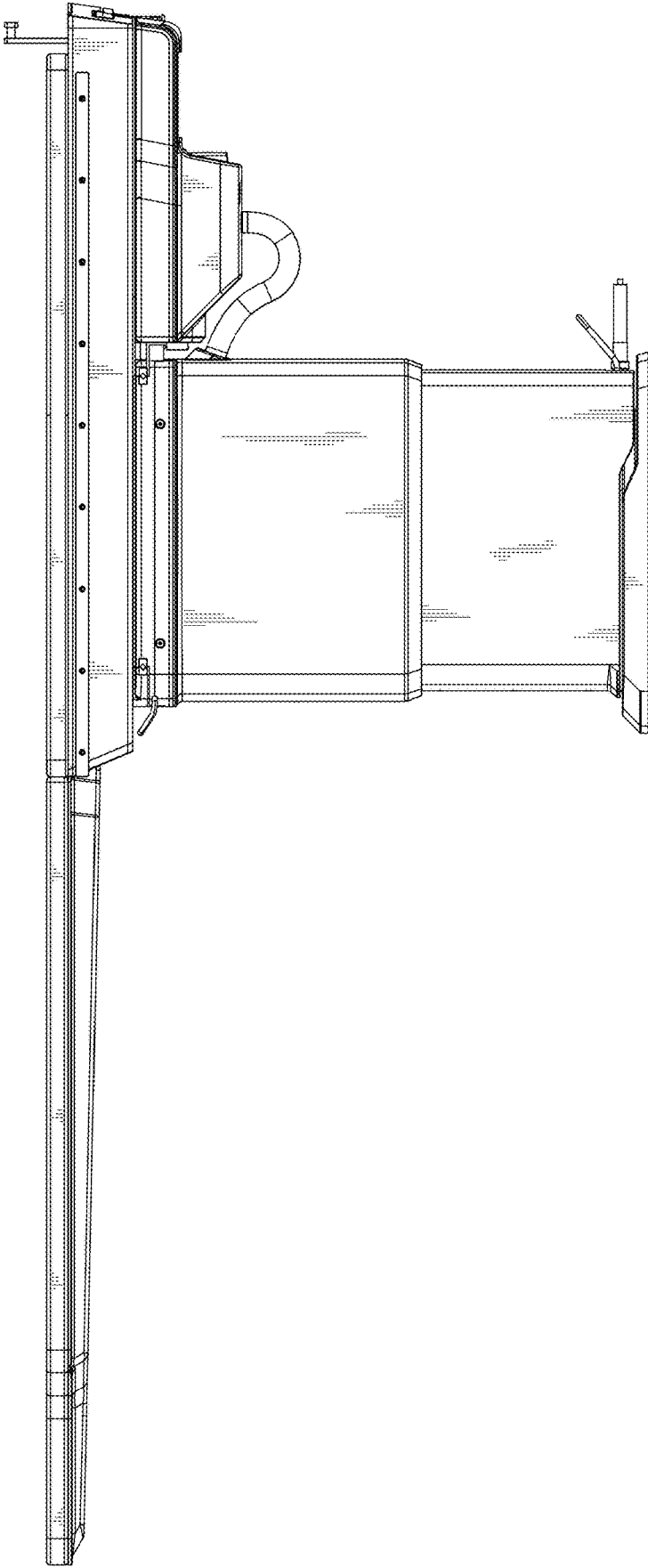


FIG. 5

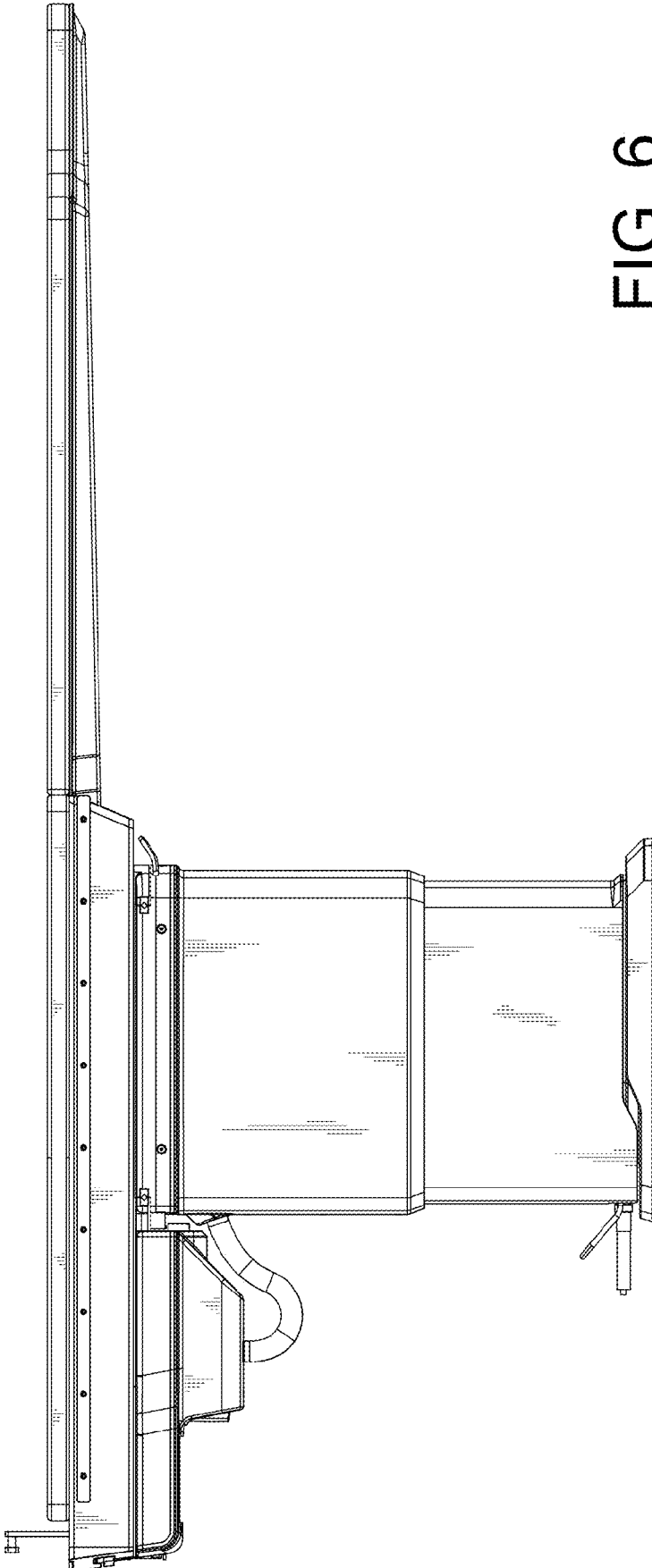


FIG. 6

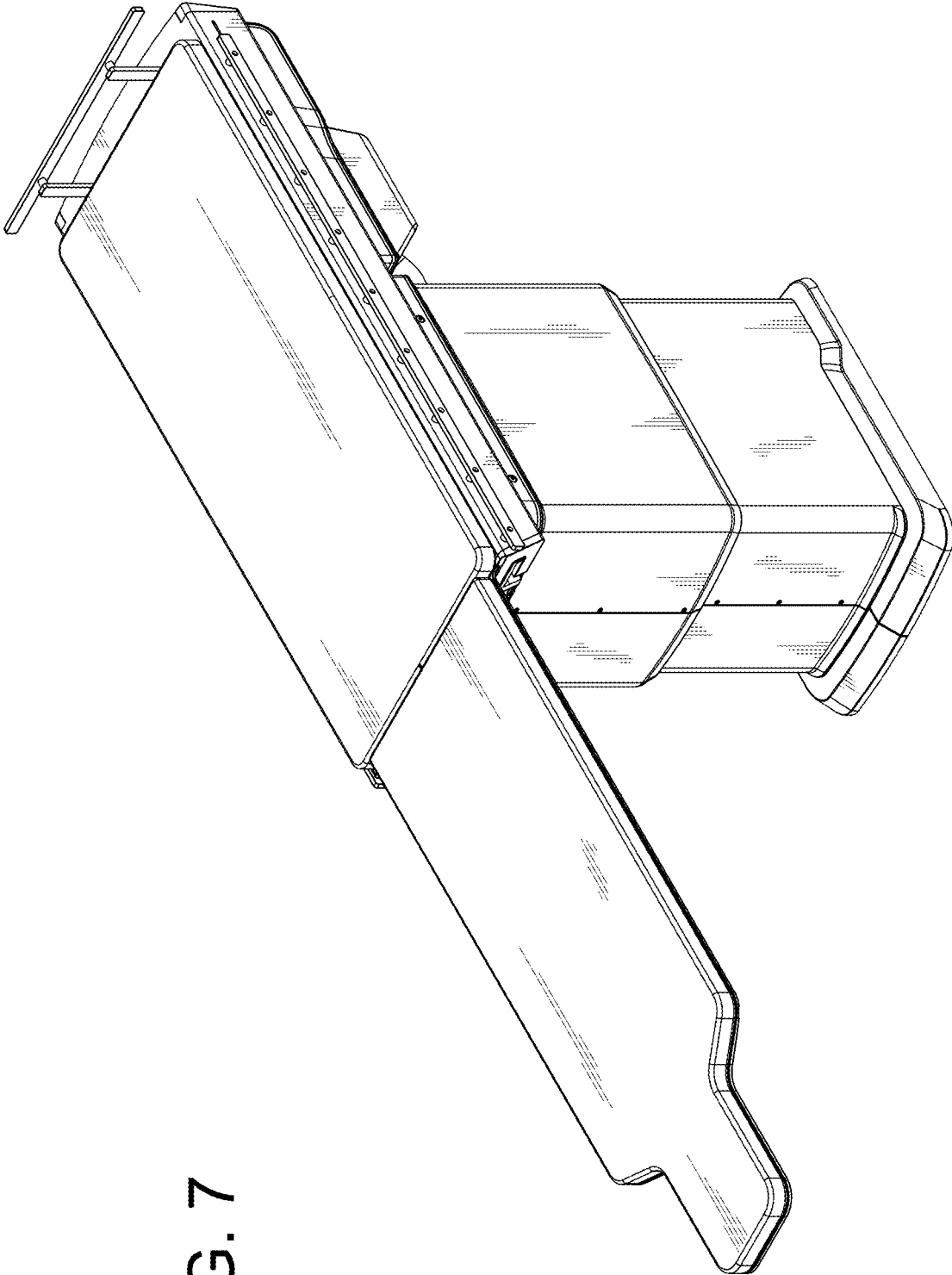


FIG. 7

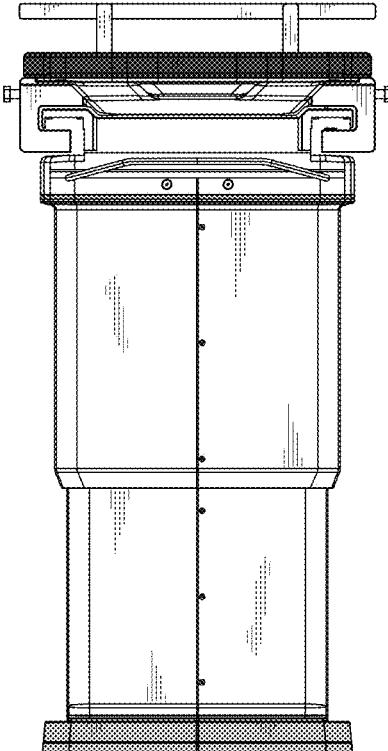


FIG. 8

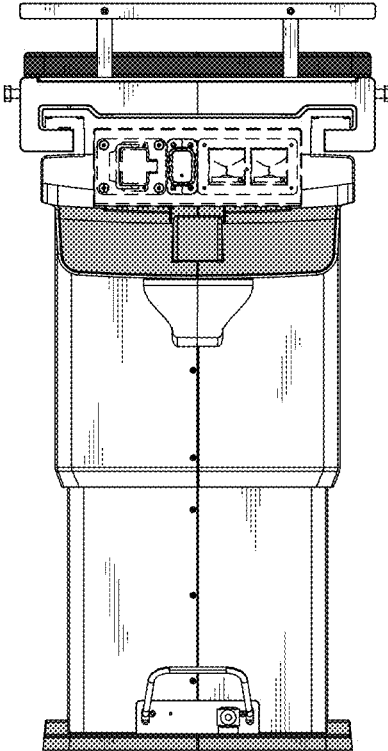


FIG. 9

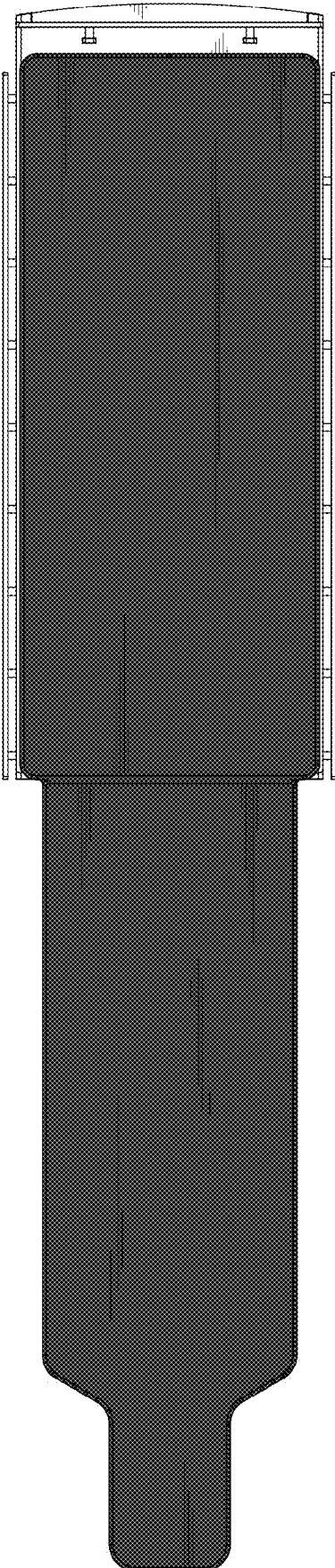


FIG. 10

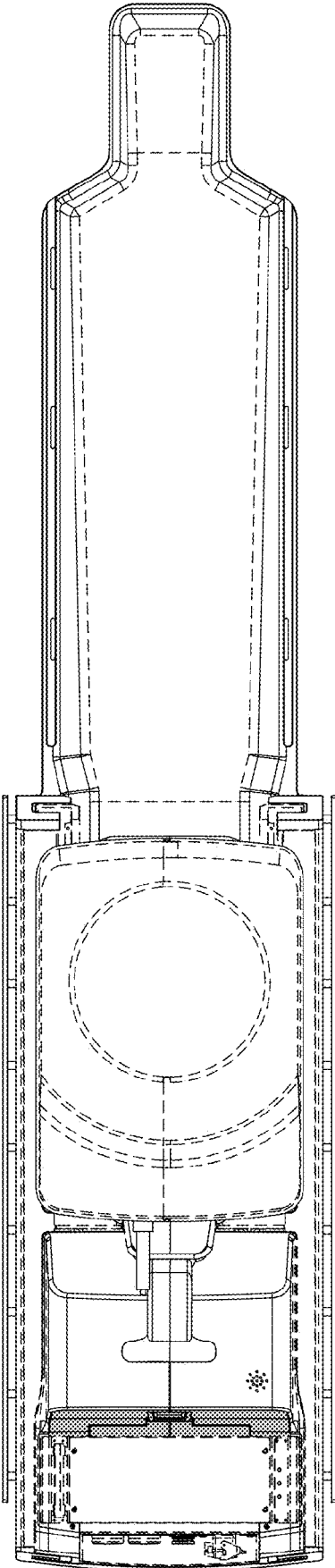


FIG. 11

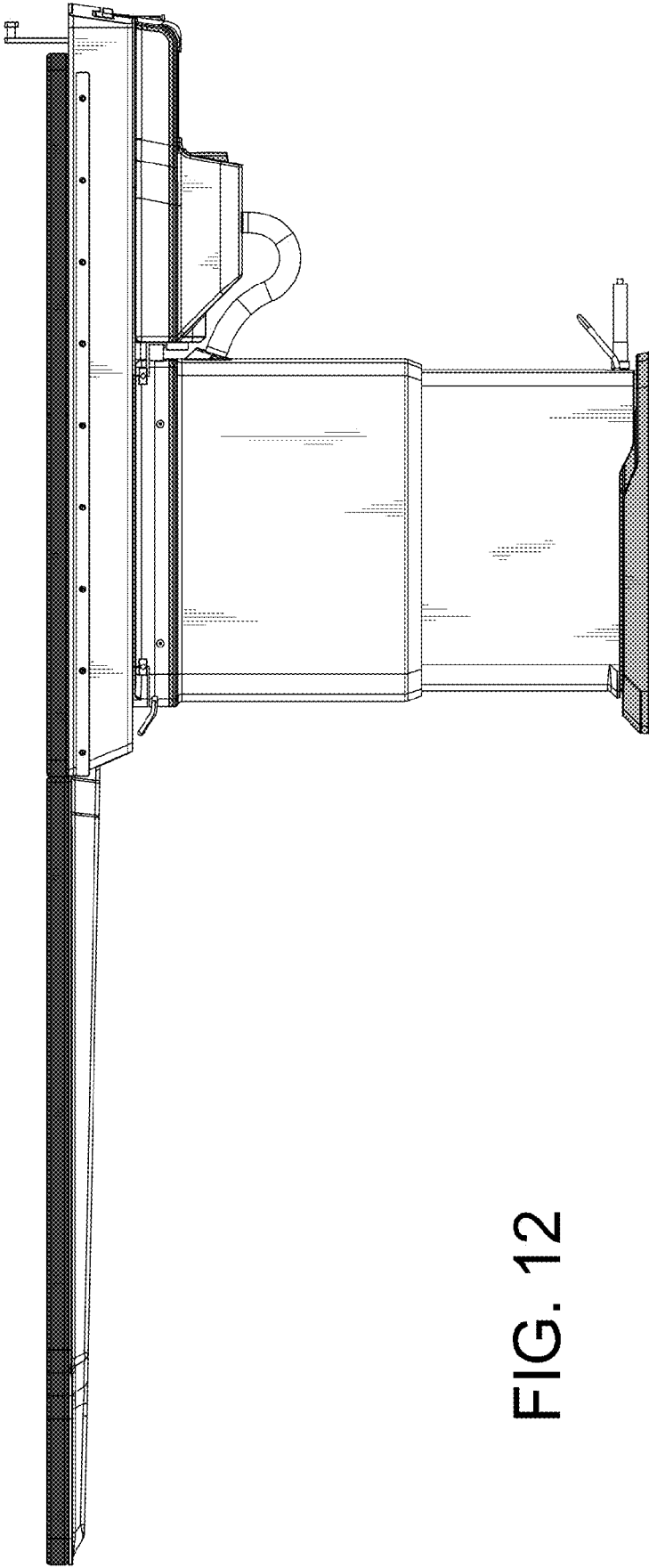


FIG. 12

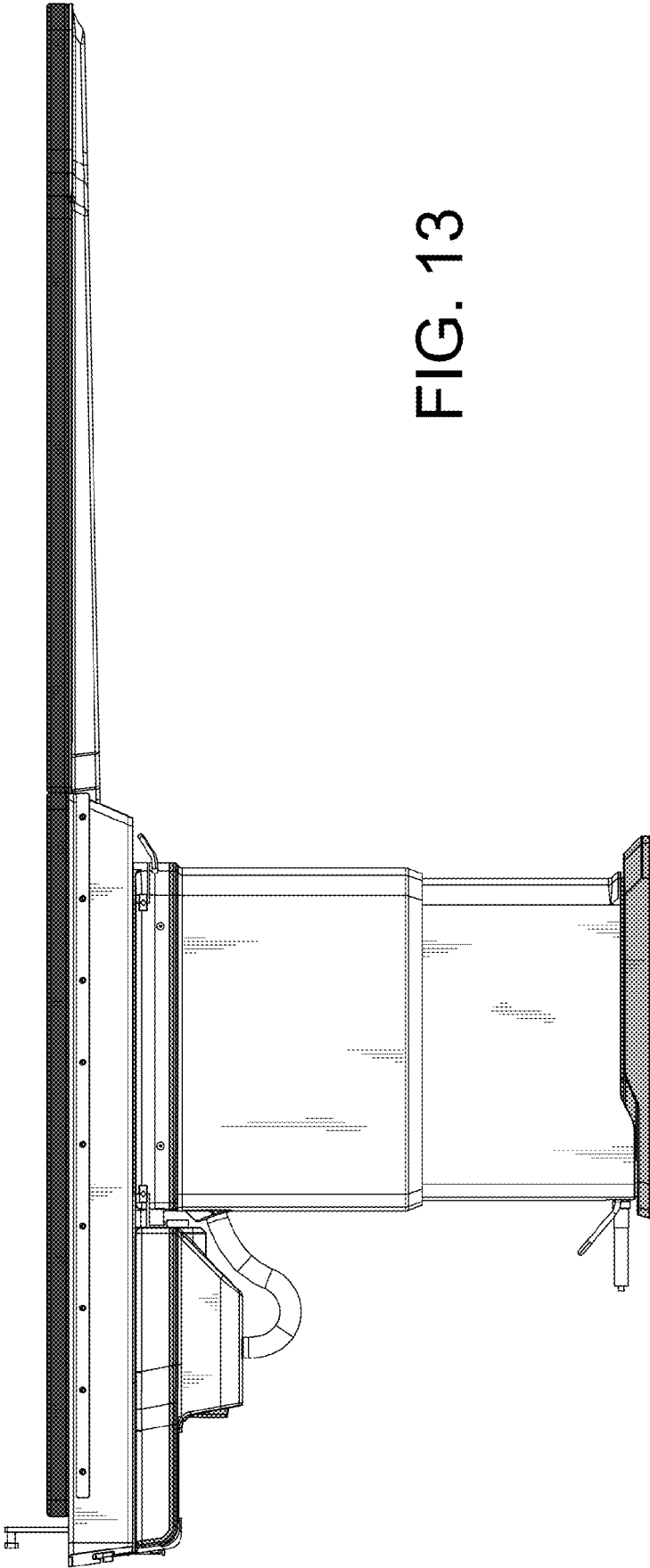


FIG. 13

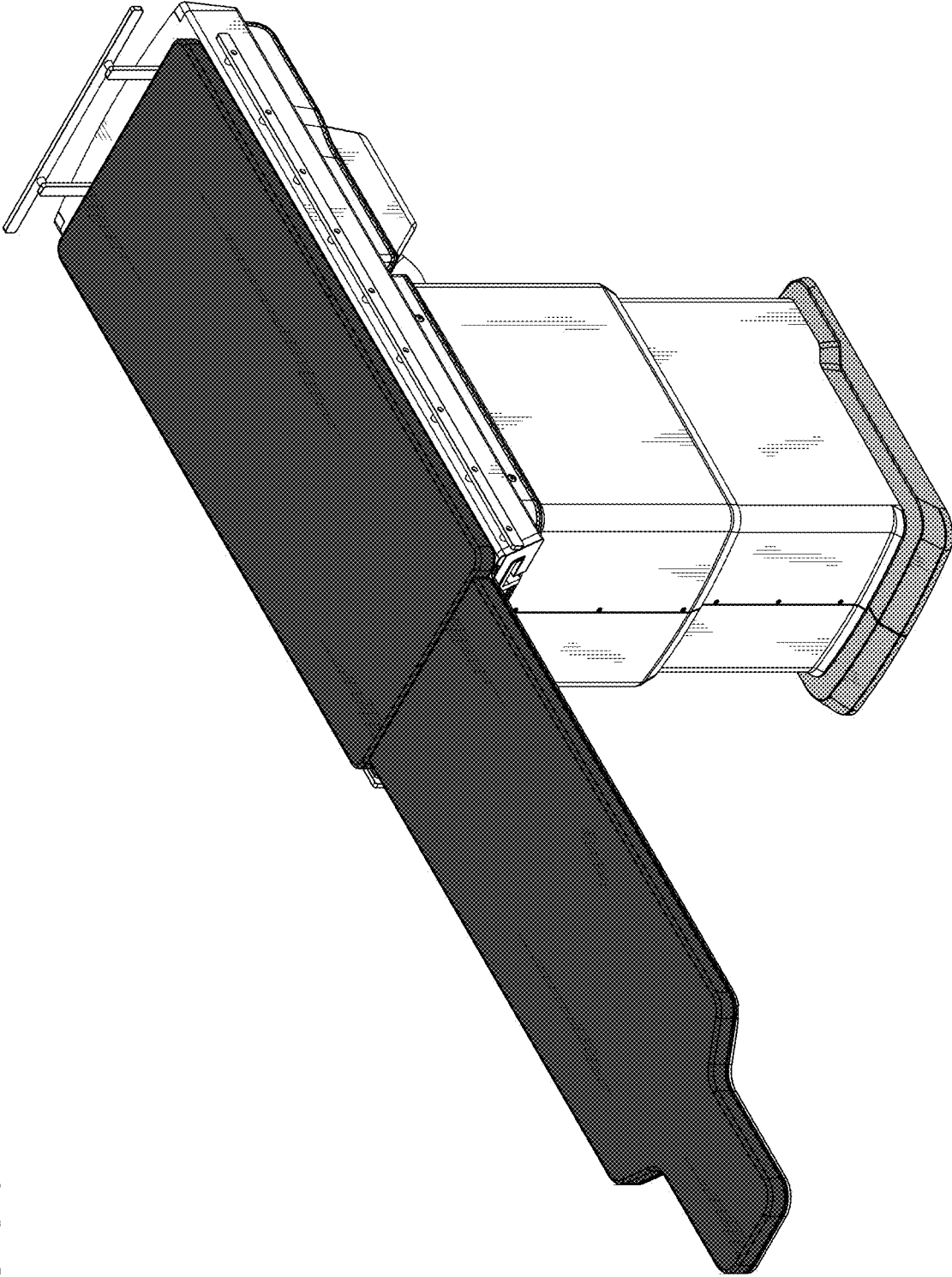


FIG. 14