



US00D597495S

(12) **United States Design Patent**  
**Samuels et al.**

(10) **Patent No.:** **US D597,495 S**

(45) **Date of Patent:** **\*\* Aug. 4, 2009**

(54) **DIMMER SWITCH**

(75) Inventors: **Richard David Samuels**, Riegelsville, PA (US); **Gregory Altonen**, Easton, PA (US); **Elliot G. Jacoby**, Glenside, PA (US)

(73) Assignee: **Lutron Electronics Co., Inc.**, Coopersburg, PA (US)

(\*\*) Term: **14 Years**

(21) Appl. No.: **29/323,720**

(22) Filed: **Aug. 29, 2008**

(51) **LOC (9) Cl.** ..... **13-03**

(52) **U.S. Cl.** ..... **D13/169; D13/174**

(58) **Field of Classification Search** ..... D13/162, D13/169, 170, 174; 174/66; 307/125, 139, 307/157; 200/330, 335, 339, 547, 550; 315/295, 315/297; 338/176

See application file for complete search history.

(56) **References Cited**

**U.S. PATENT DOCUMENTS**

|               |         |                    |         |
|---------------|---------|--------------------|---------|
| D227,577 S    | 7/1973  | Mayo               |         |
| D241,853 S *  | 10/1976 | Spira et al.       | D13/170 |
| 4,695,820 A * | 9/1987  | D'Aleo et al.      | 338/179 |
| 4,833,277 A   | 5/1989  | Jacoby, Jr. et al. |         |
| 4,835,343 A   | 5/1989  | Graef et al.       |         |
| 4,924,349 A * | 5/1990  | Buehler et al.     | 361/643 |
| 5,191,971 A   | 3/1993  | Hakkarainen et al. |         |
| D335,282 S *  | 5/1993  | Jurell et al.      | D13/170 |
| D339,326 S    | 9/1993  | Mayo et al.        |         |

(Continued)

**OTHER PUBLICATIONS**

U.S. Appl. No. 29/302,039, filed Jan. 9, 2008, Altonen et al.  
U.S. Appl. No. 29/319,567, filed Jun. 11, 2008, Bhate et al.

U.S. Appl. No. 29/319,577, filed Jun. 11, 2008, Bhate et al.  
U.S. Appl. No. 29/321,056, filed Jul. 10, 2008, Samuels et al.  
U.S. Appl. No. 29/321,060, filed Jul. 10, 2008, Samuels et al.  
U.S. Appl. No. 29/323,716, filed Aug. 29, 2008, Samuels et al.

(Continued)

*Primary Examiner*—Selina Sikder

(74) *Attorney, Agent, or Firm*—Mark E. Rose; Philip N. Smith

(57) **CLAIM**

We claim the ornamental design for a dimmer switch, as shown and described.

**DESCRIPTION**

FIG. 1 is a perspective view of a dimmer switch according to a first embodiment of our new design.

FIG. 2 is a front view thereof.

FIG. 3 is a left side view thereof.

FIG. 4 is a right side view thereof.

FIG. 5 is a top view thereof.

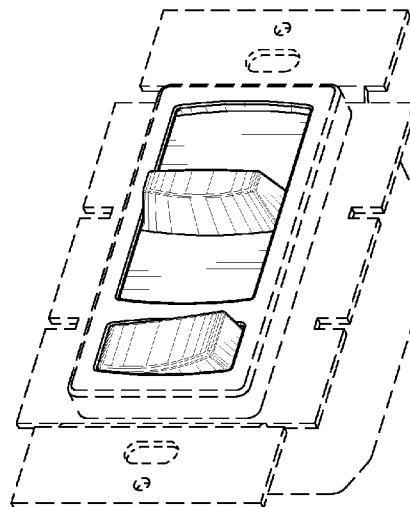
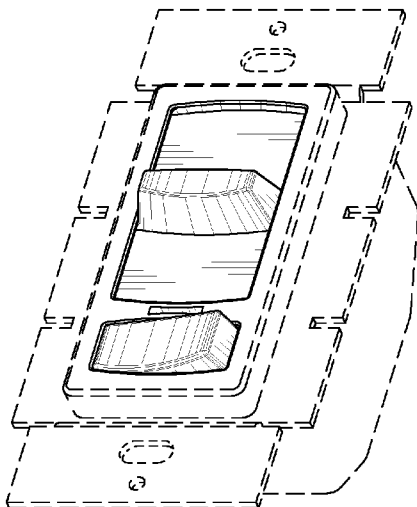
FIG. 6 is a bottom view thereof.

FIG. 7 is a perspective view of a dimmer switch according to a second embodiment of our new design; and,

FIG. 8 is a front view thereof, the left side, right side, top, and bottom views, respectively, of the second embodiment being identical to the left side, right side, top, and bottom views of the first embodiment.

The rear views form no part of the design and are omitted. The portions of the drawings appearing in broken line are for environment only and do not form a part of the claimed design.

**1 Claim, 6 Drawing Sheets**



# US D597,495 S

Page 2

## U.S. PATENT DOCUMENTS

D405,061 S 2/1999 Thomas  
D415,472 S \* 10/1999 Kelso et al. .... D13/170  
D437,584 S 2/2001 Radosavljevic et al.  
D457,145 S \* 5/2002 Pagano et al. .... D13/169  
D457,863 S 5/2002 Jacoby  
D463,382 S 9/2002 Jacoby  
D477,575 S \* 7/2003 Mayo et al. .... D13/171  
6,727,446 B1 \* 4/2004 Mayo et al. .... 200/296  
D533,843 S 12/2006 Larson et al.  
D533,844 S 12/2006 Larson et al.  
D539,235 S 3/2007 Mayo et al.  
D540,267 S 4/2007 Larson et al.  
D540,748 S 4/2007 Larson et al.  
D541,222 S 4/2007 Mayo et al.  
D542,737 S 5/2007 Spira  
D543,510 S 5/2007 Larson et al.  
D547,731 S 7/2007 Larson et al.  
D548,194 S 8/2007 Spira  
D558,151 S 12/2007 Spira  
D562,260 S 2/2008 Pessina et al.

D566,659 S 4/2008 Spira  
7,416,310 B1 \* 8/2008 Savicki, Jr. .... 362/95  
D582,863 S \* 12/2008 Ni ..... D13/170  
D583,336 S \* 12/2008 Ni ..... D13/170  
2006/0255662 A1 11/2006 Abel  
2007/0272535 A1 \* 11/2007 Sloan et al. .... 200/550

## OTHER PUBLICATIONS

Lutron Electronics Co., Inc., Commercial Wallbox Lighting Controls Catalog, 2004, front cover, pp. 70-71, rear cover.  
Leviton Manufacturing Co., Inc., Lighting and Fan Speed Controls Product Guide, 2006, 16 pages.  
Leviton Manufacturing Co., Inc., L-504 Catalog, 2003, front cover, pp. A22-A25, rear cover.  
Cooper Wiring Devices, Decorator Slide Dimmers & Fan Speed Controls Sell Sheet, 2007, 2 pages.  
Cooper Wiring Devices, Decorator Slide Dimmers & Fan Speed Controls Products Specifications Sheet, 2007, 2 pages.  
Cooper Wiring Devices, Lighting Controls Line Card, 2007, 4 pages.

\* cited by examiner

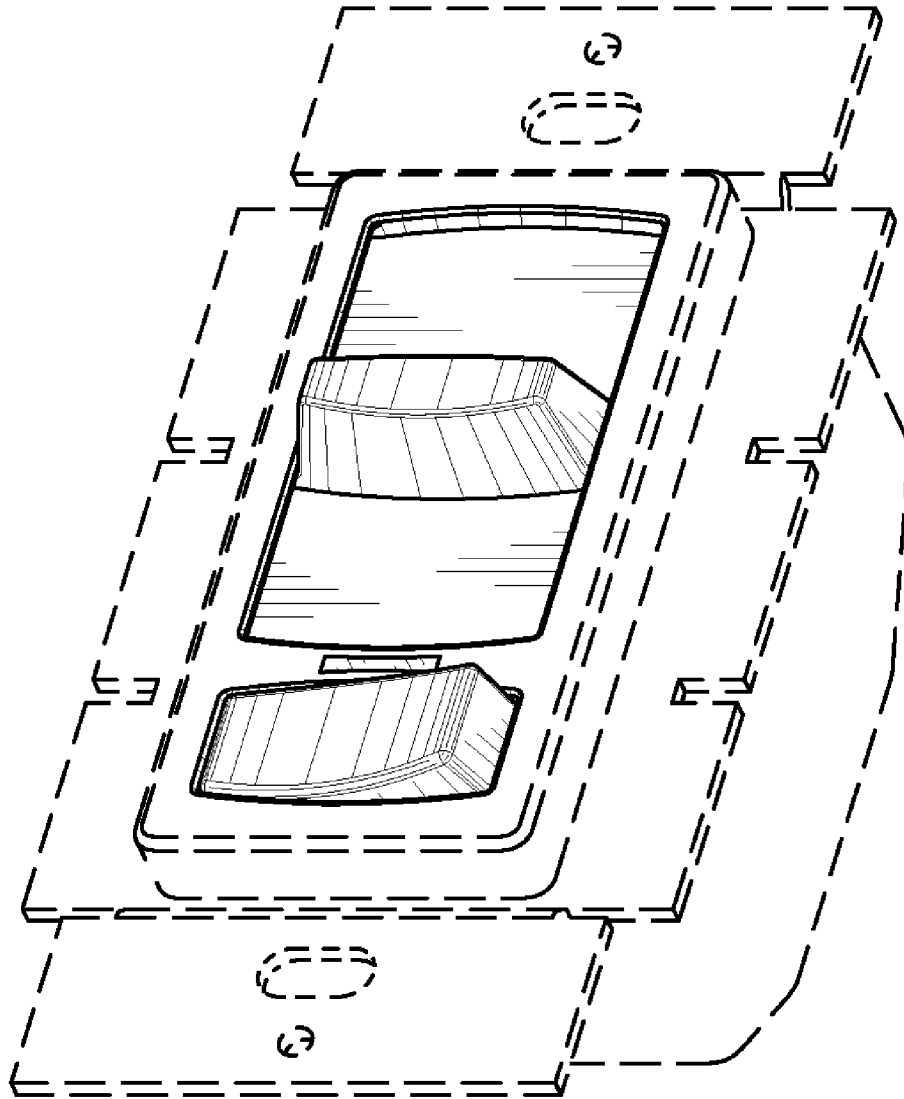


Fig. 1

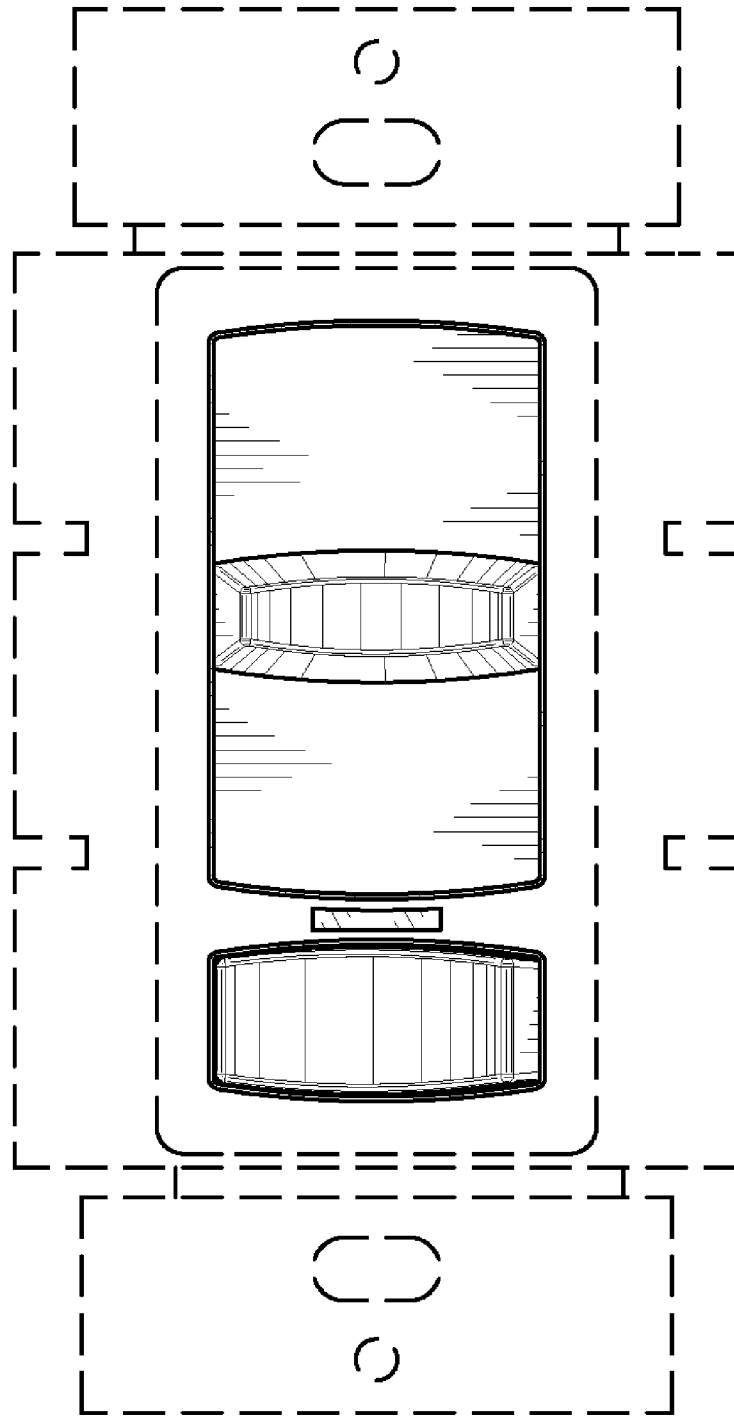


Fig. 2

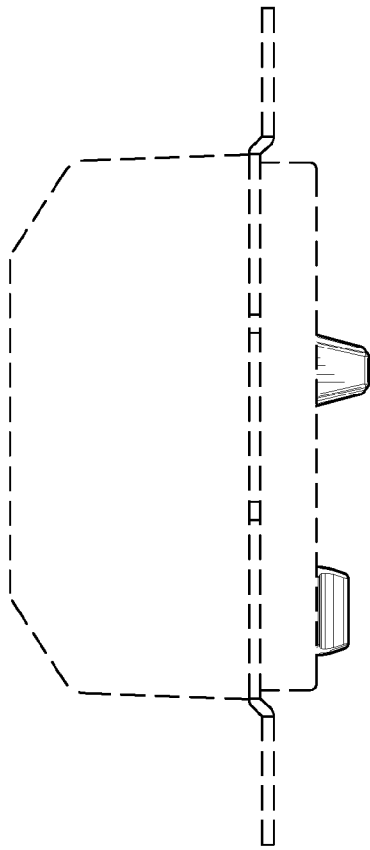


Fig. 3

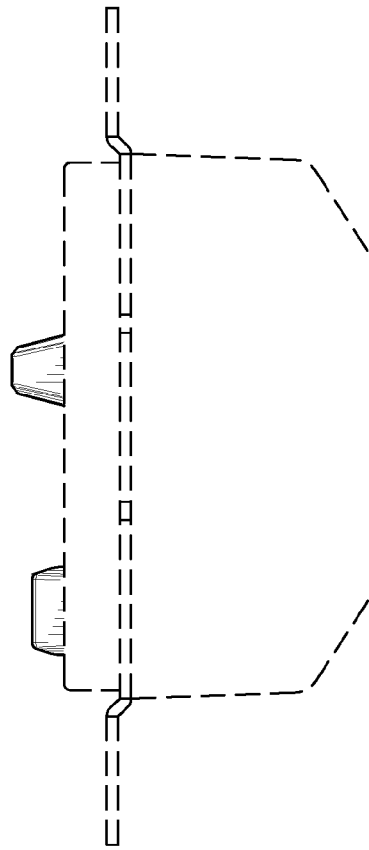


Fig. 4

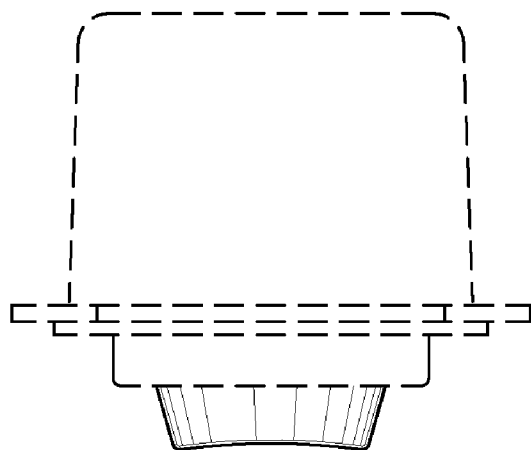


Fig. 5

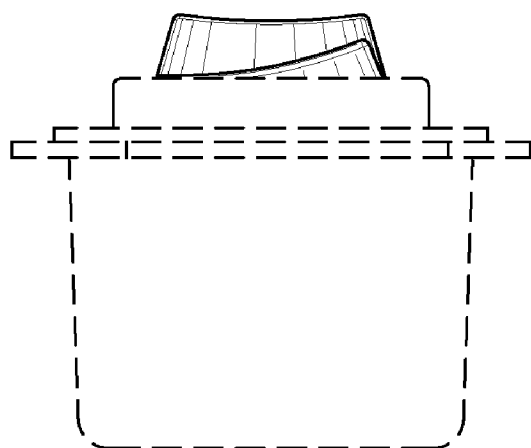


Fig. 6

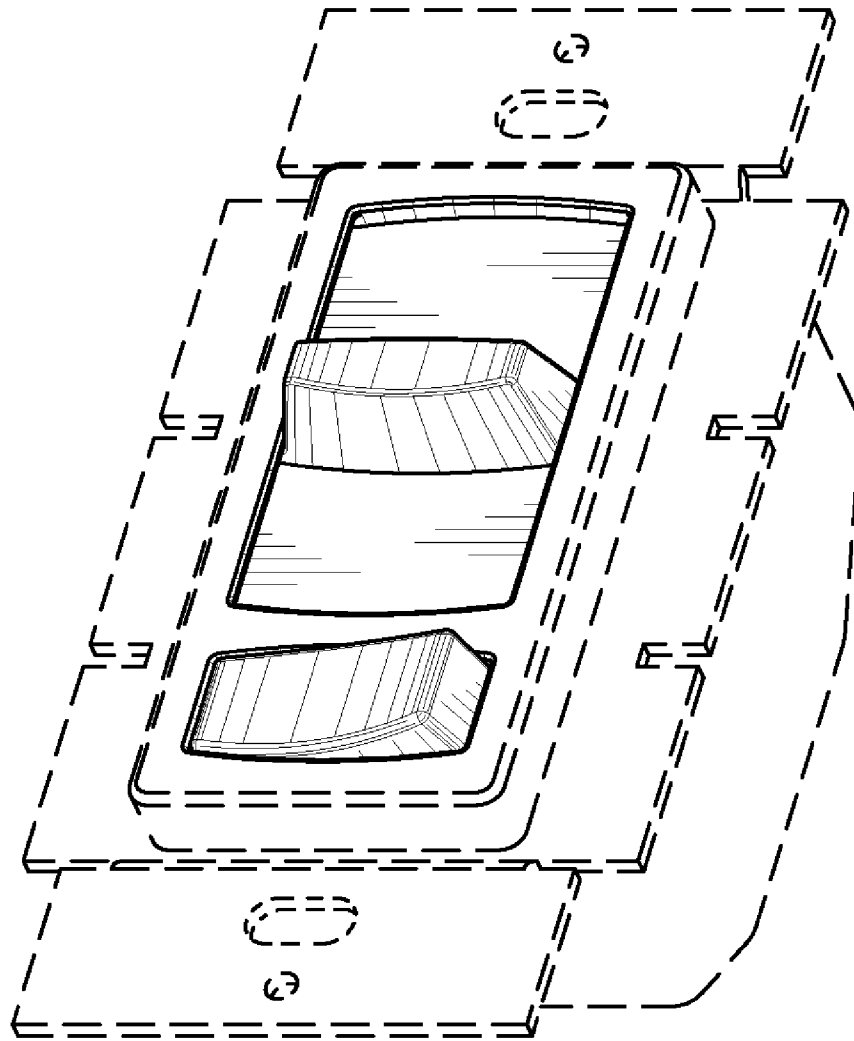


Fig. 7

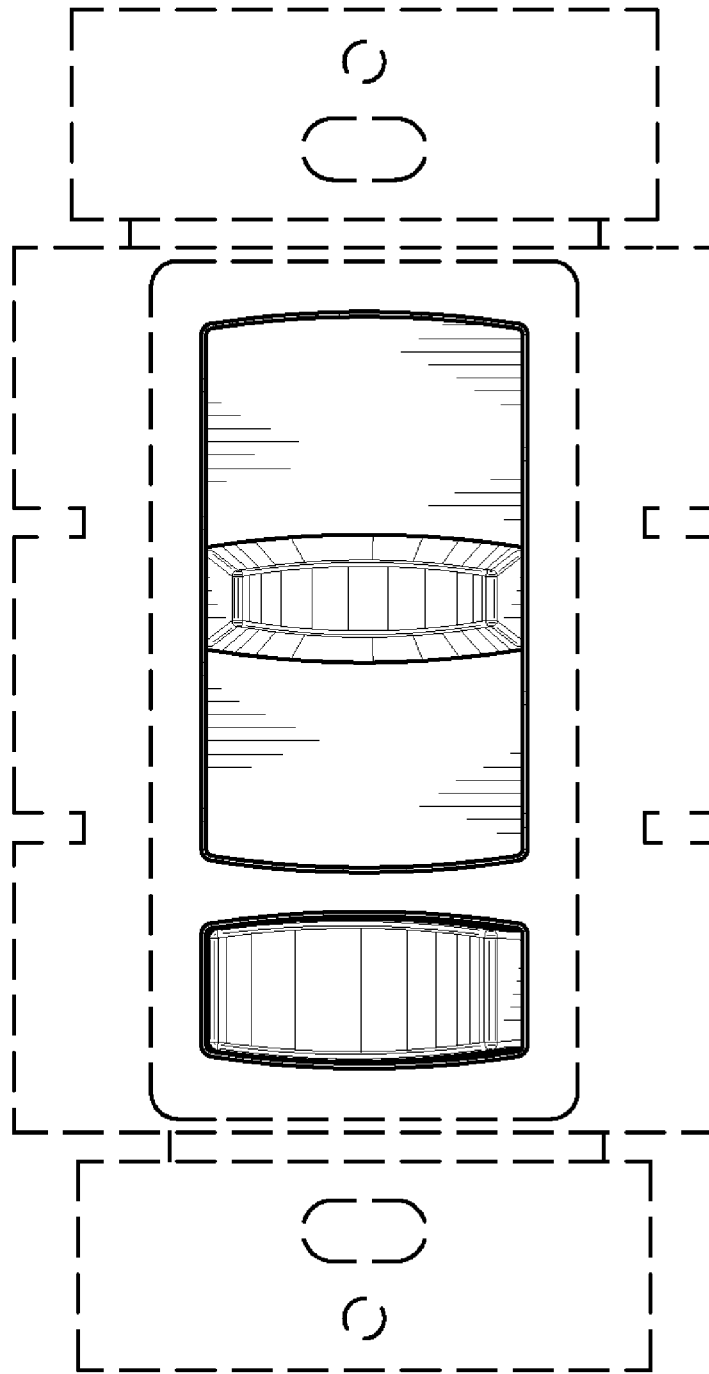


Fig. 8