

[54] **BOTTLE CLOSURE**
 [75] **Inventor: Gerald Zinnbauer, Buy Village, Ohio**
 [73] **Assignee: Kardon Industries, Inc., Philadelphia, Pa.**
 [**] **Term: 14 Years**
 [21] **Appl. No.: 88,789**

[22] **Filed: Aug. 24, 1987**
 [52] **U.S. Cl. D9/448**
 [58] **Field of Search D9/448, 453, 450, 446-447, D9/338, 373, 375, 435, 442, 436, 440, 434, 449; D22/7; 222/252, 220, 253, 344, 200, 478, 207, 531, 537, 548, 551, 568, 480, 528, 534, 565, 567; 206/307, 309; 215/304, 306, 252, 228, 344, 220, 203**

[56] **References Cited**
U.S. PATENT DOCUMENTS

212,871	12/1968	Anderson	D9/97
D. 217,955	7/1970	Howard et al.	D9/2
D. 274,132	6/1984	Nightingale, III	D9/453
D. 279,456	7/1985	Fortuna	D9/389
D. 286,027	10/1986	Waher et al.	D9/435
1,875,431	9/1932	Fabrice	.	
2,028,175	1/1936	Waite	221/60
2,201,205	5/1940	Samburg	215/7
2,334,851	11/1943	Waite	221/60
2,414,420	1/1947	Sebell	215/43
3,151,777	10/1964	Rooney	222/92
3,278,095	10/1966	Johns	222/528
3,335,889	8/1967	Brumme	215/7
3,673,761	7/1972	Leitz	53/42
3,863,796	2/1975	Roy	215/220
3,957,169	5/1976	Coursaut	215/253
4,002,259	1/1977	Geiser	215/216
4,122,965	10/1978	Roy	215/344
4,126,240	11/1978	Brach	215/252
4,303,168	12/1981	Roy	215/344
4,444,328	4/1984	Glass	215/230
4,448,317	5/1984	Thompson	215/203
4,480,761	11/1984	Aichinger	215/252
4,506,795	3/1985	Herr	215/252
4,550,845	11/1985	Guala	215/252
4,573,601	3/1986	Berglund	215/252
4,591,062	5/1986	Sandhaus	215/230

4,595,110	6/1986	Herr	215/252
4,595,547	6/1986	Herr	264/154
4,595,833	7/1986	Herr	215/220
4,598,833	7/1986	Herr	215/220
4,609,114	9/1986	Roy	215/220

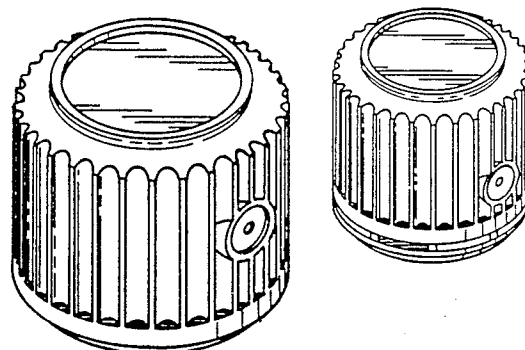
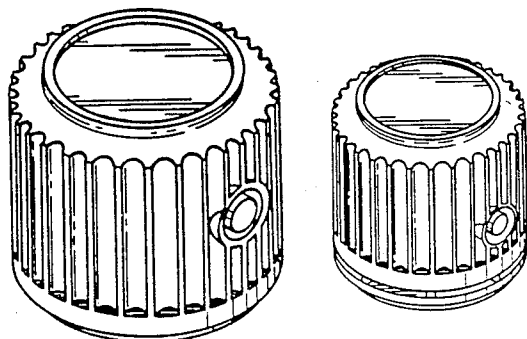
Primary Examiner—A. Hugo Word
Assistant Examiner—R. T. Seifert
Attorney, Agent, or Firm—Volpe and Koenig

[57] **CLAIM**

The ornamental design for a bottle closure, as shown and described.

DESCRIPTION

FIG. 1 is a perspective view of a bottle closure showing my new design;
 FIG. 2 is a front elevational view;
 FIG. 3 is a rear elevational view;
 FIG. 4 is a side elevational view, the opposite side view being a mirror image thereof;
 FIG. 5 is a top plan view;
 FIG. 6 is a bottom plan view;
 FIG. 7 is a perspective view of a bottle closure showing a second embodiment of my new design;
 FIG. 8 is a front elevational view of FIG. 7;
 FIG. 9 is a rear elevational view of FIG. 7;
 FIG. 10 is a side elevational view of FIG. 7, the opposite side view being a mirror image thereof;
 FIG. 11 is a top plan view of FIG. 7;
 FIG. 12 is a bottom plan view of FIG. 7;
 FIG. 13 is a perspective view of a bottle closure showing a third embodiment of my new design;
 FIG. 14 is a front elevational view of FIG. 13;
 FIG. 15 is a rear elevational view of FIG. 13;
 FIG. 16 is a side elevational view of FIG. 13, the opposite side view being a mirror image thereof;
 FIG. 17 is a top plan view of FIG. 13;
 FIG. 18 is a bottom plan view of FIG. 13;
 FIG. 19 is a perspective view of a bottle closure showing a fourth embodiment of my new design;
 FIG. 20 is a front elevational view of FIG. 19;
 FIG. 21 is a rear elevational view of FIG. 19;
 FIG. 22 is a side elevational view of FIG. 19, the opposite side view being a mirror image thereof;
 FIG. 23 is a top plan view of FIG. 19; and
 FIG. 24 is a bottom plan view of FIG. 19.



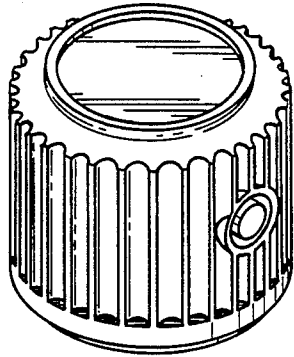


FIG. 1

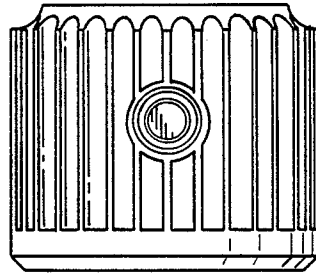


FIG. 2

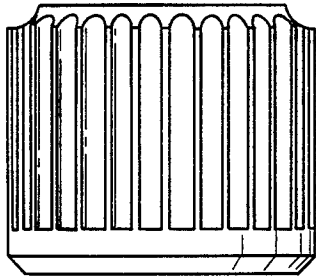


FIG. 3

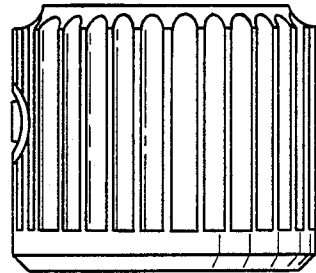


FIG. 4

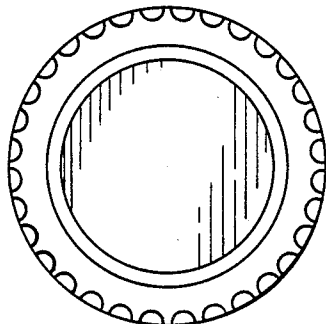


FIG. 5

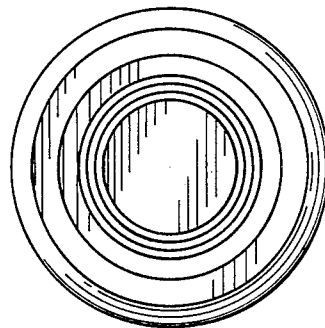


FIG. 6

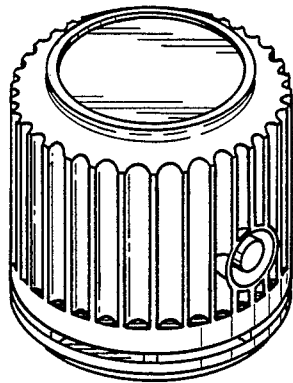


FIG. 7

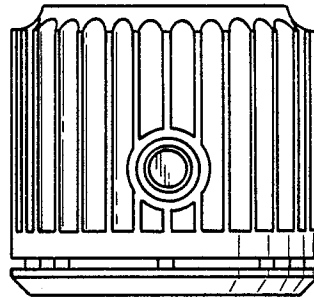


FIG. 8

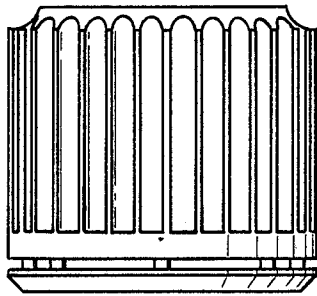


FIG. 9

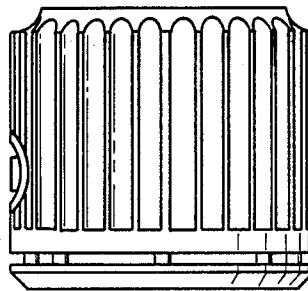


FIG. 10

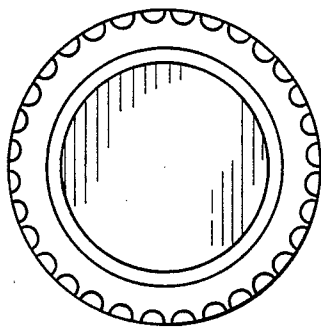


FIG. 11

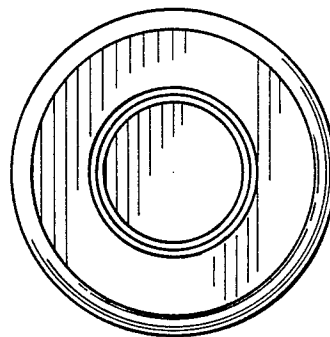


FIG. 12

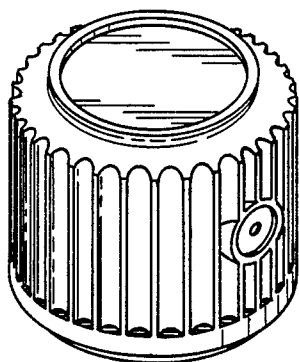


FIG. 13

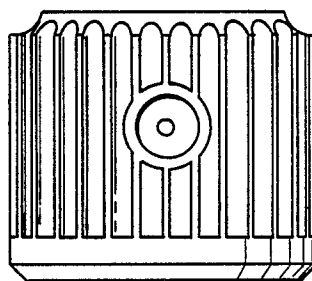


FIG. 14

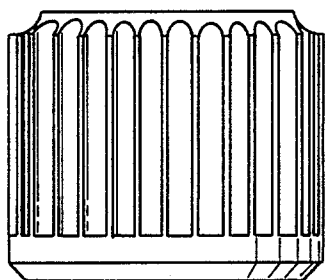


FIG. 15

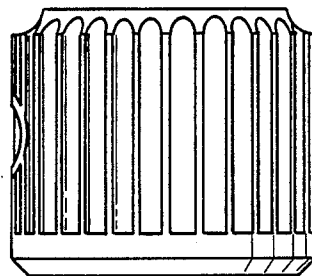


FIG. 16

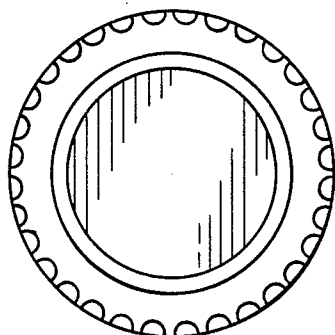


FIG. 17

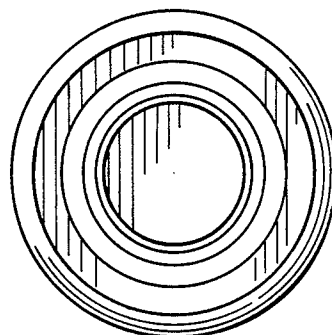


FIG. 18

FIG. 19

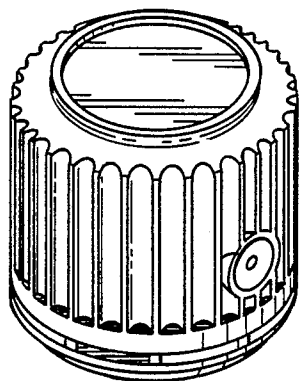


FIG. 20

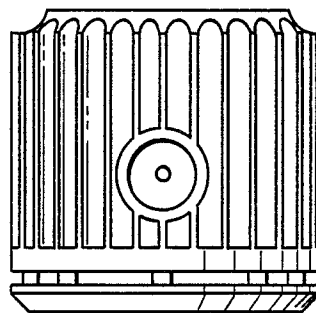


FIG. 21

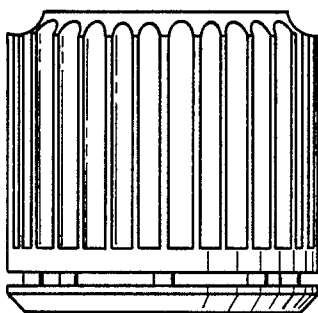


FIG. 22

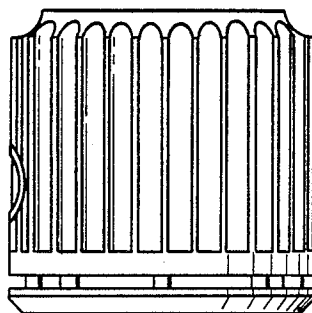


FIG. 23

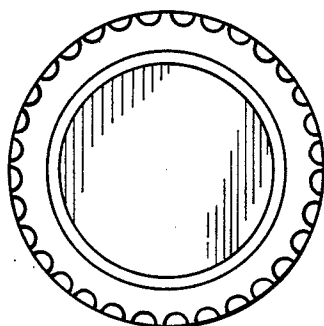


FIG. 24

