



US00D467643S

(12) **United States Design Patent** (10) **Patent No.:** **US D467,643 S**
Otero et al. (45) **Date of Patent:** **** *Dec. 24, 2002**

(54) **FAUCET**
(75) Inventors: **Federico G. Otero**, Carmel, IN (US);
Anthony G. Spangler, Greensburg, IN (US)

D429,799 S 8/2000 Spangler
D429,800 S 8/2000 Spangler
D430,270 S 8/2000 Lord
D431,281 S 9/2000 Lord
D439,953 S * 4/2001 Lord D23/241
D448,453 S * 9/2001 Lord D23/241

(73) Assignee: **Masco Corporation of Indiana**, Indianapolis, IN (US)

OTHER PUBLICATIONS

(*) Notice: This patent is subject to a terminal disclaimer.

U.S. patent application Ser. No. 29/152,002, filed Dec. 12, 2001.

(**) Term: **14 Years**

U.S. patent application Ser. No. 29/152,007, filed Dec. 12, 2001.

(21) Appl. No.: **29/151,955**

U.S. patent application Ser. No. 29/152,008, filed Dec. 12, 2001.

(22) Filed: **Dec. 12, 2001**

* cited by examiner

(51) **LOC (7) Cl.** **23-01**

Primary Examiner—Louis S. Zarfaz

(52) **U.S. Cl.** **D23/242; D23/241; D23/238**

Assistant Examiner—Gregory Andoll

(58) **Field of Search** **D23/238–257; 4/675–678; 137/801**

(74) *Attorney, Agent, or Firm*—Myron B. Kapustij; Lloyd D. Doigan

(56) **References Cited**

(57) **CLAIM**

The ornamental design for a faucet, as shown and described.

U.S. PATENT DOCUMENTS

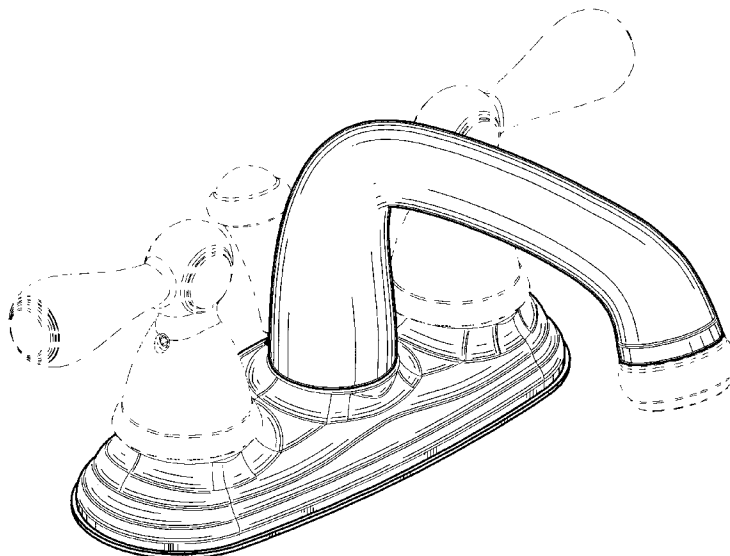
DESCRIPTION

D267,110 S * 11/1982 Arnolds D23/242
D293,362 S 12/1987 Hill et al.
D300,653 S * 4/1989 Paul D23/255
D318,906 S 8/1991 Spangler
D321,750 S 11/1991 Spangler
D356,631 S * 3/1995 Kolada D23/255
D397,207 S 8/1998 Lord
D399,925 S 10/1998 Lord
D405,160 S 2/1999 Lord
D405,869 S 2/1999 Lord
D406,318 S 3/1999 Lord
D410,528 S 6/1999 Lord
D416,982 S * 11/1999 Warshawsky et al. D23/241
D428,973 S 8/2000 Spangler
D428,974 S 8/2000 Spangler
D429,318 S 8/2000 Spangler

FIG. 1 is a front perspective view of the faucet showing our new design;
FIG. 2 is a rear perspective view thereof;
FIG. 3 is a right side elevational view thereof;
FIG. 4 is a left side elevational view thereof;
FIG. 5 is a front elevational view thereof;
FIG. 6 is a rear elevational view thereof;
FIG. 7 is a top plan view thereof; and,
FIG. 8 is a bottom plan view thereof.

The broken line showing of the handle, lift rod and spout tip in FIG. 1 are for purposes of illustration only and form no part of the claimed design.

1 Claim, 8 Drawing Sheets



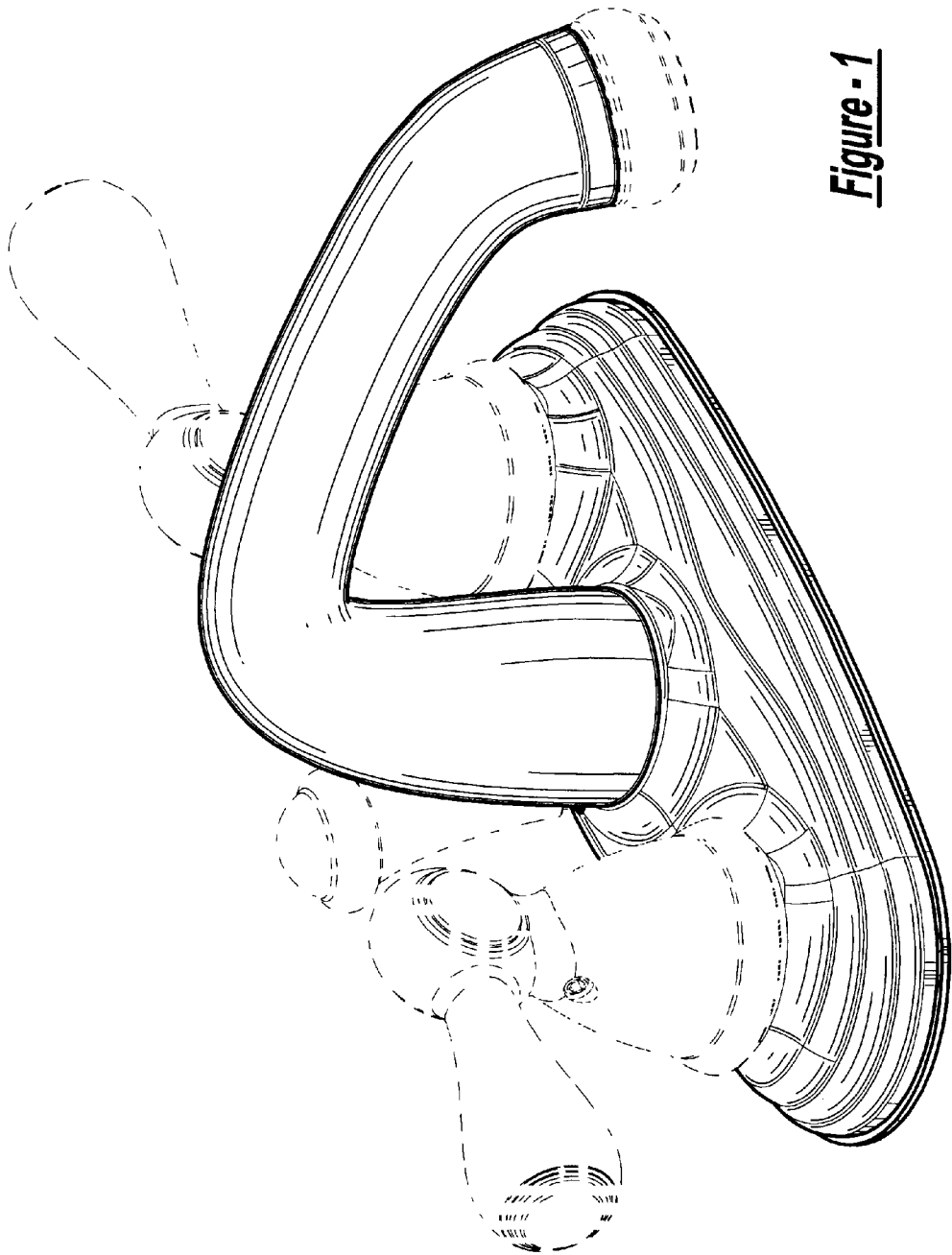


Figure - 1

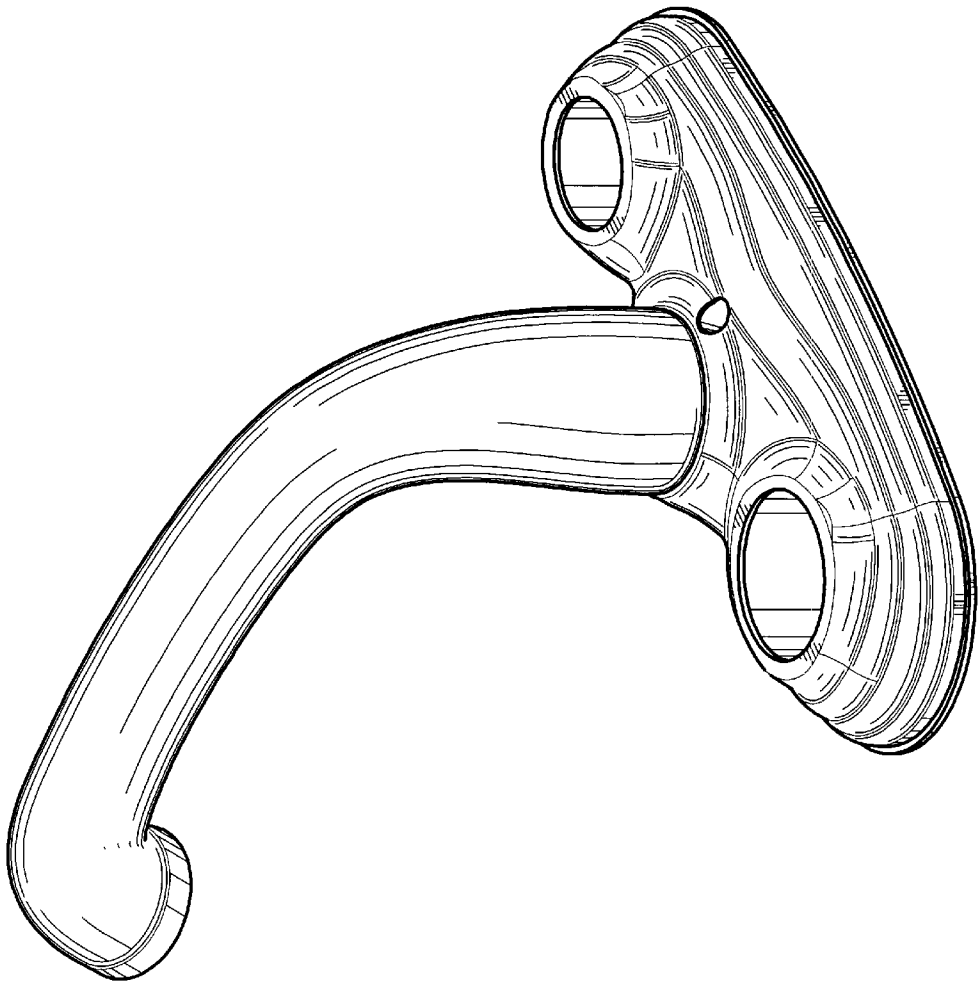


Figure - 2

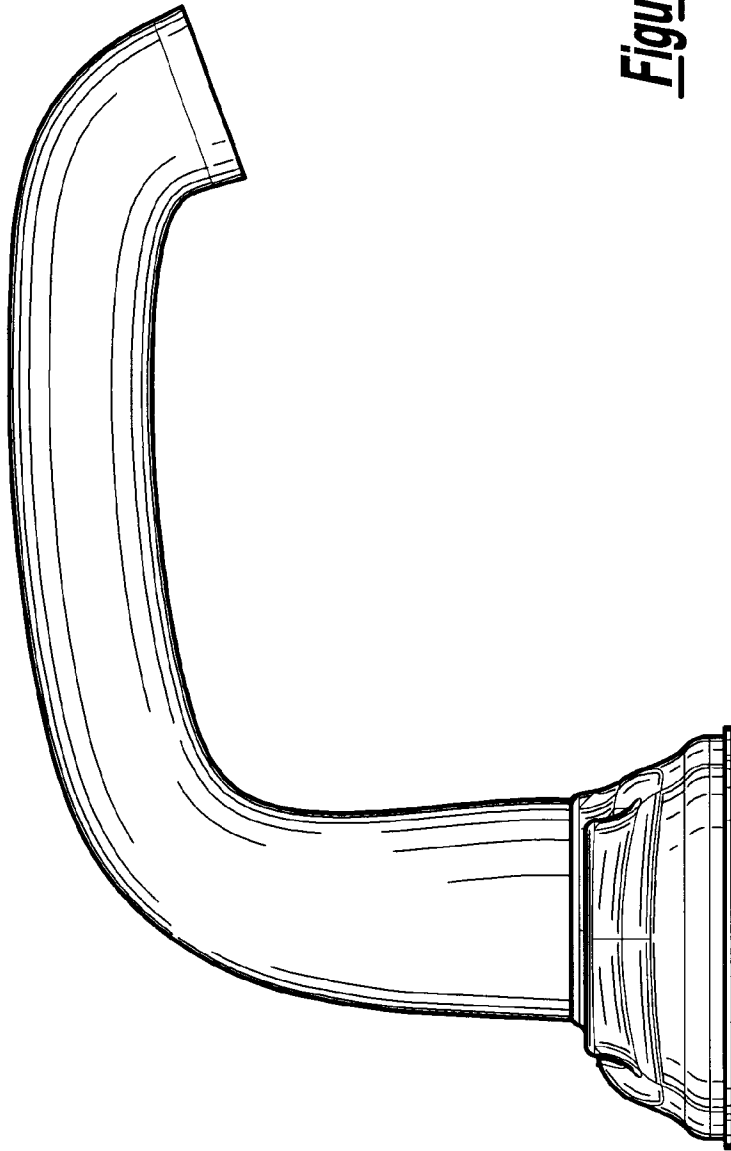


Figure - 3

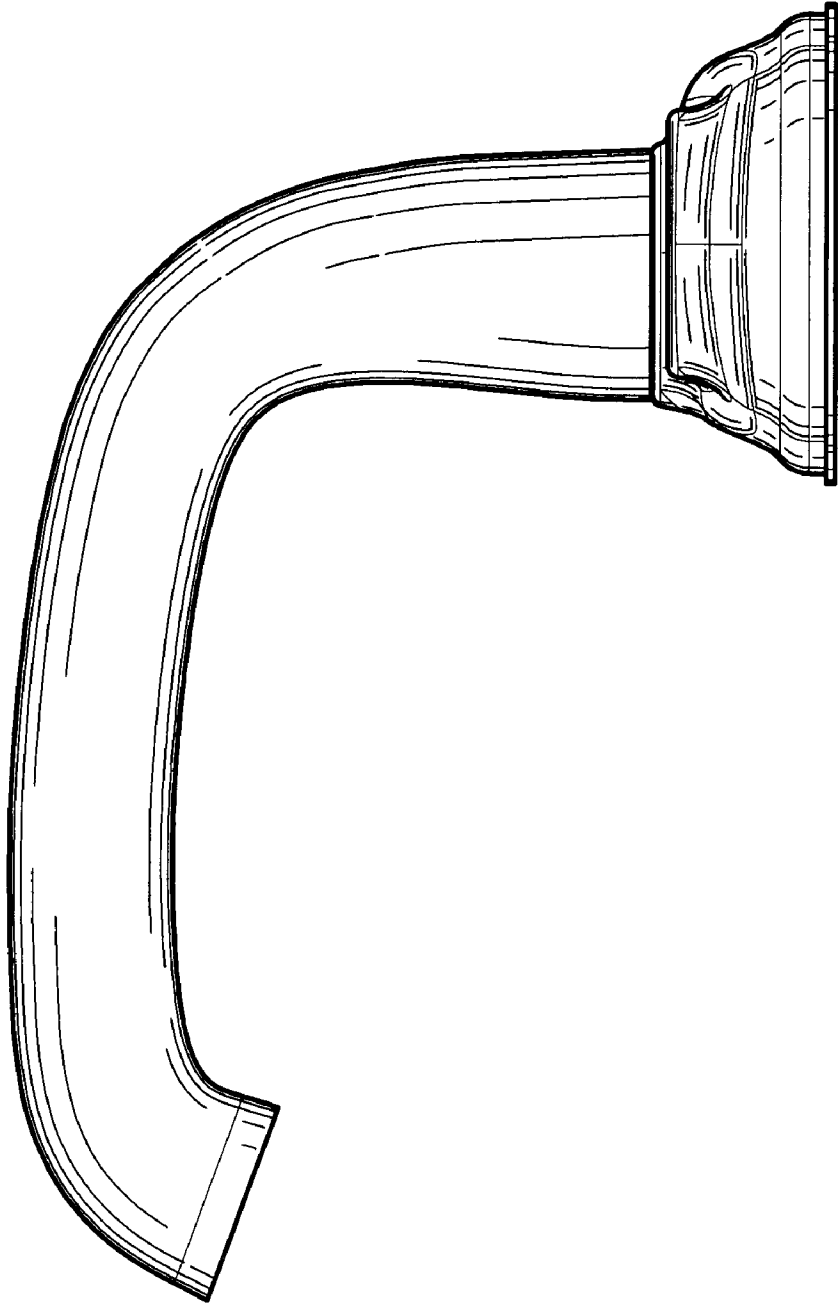


Figure - 4

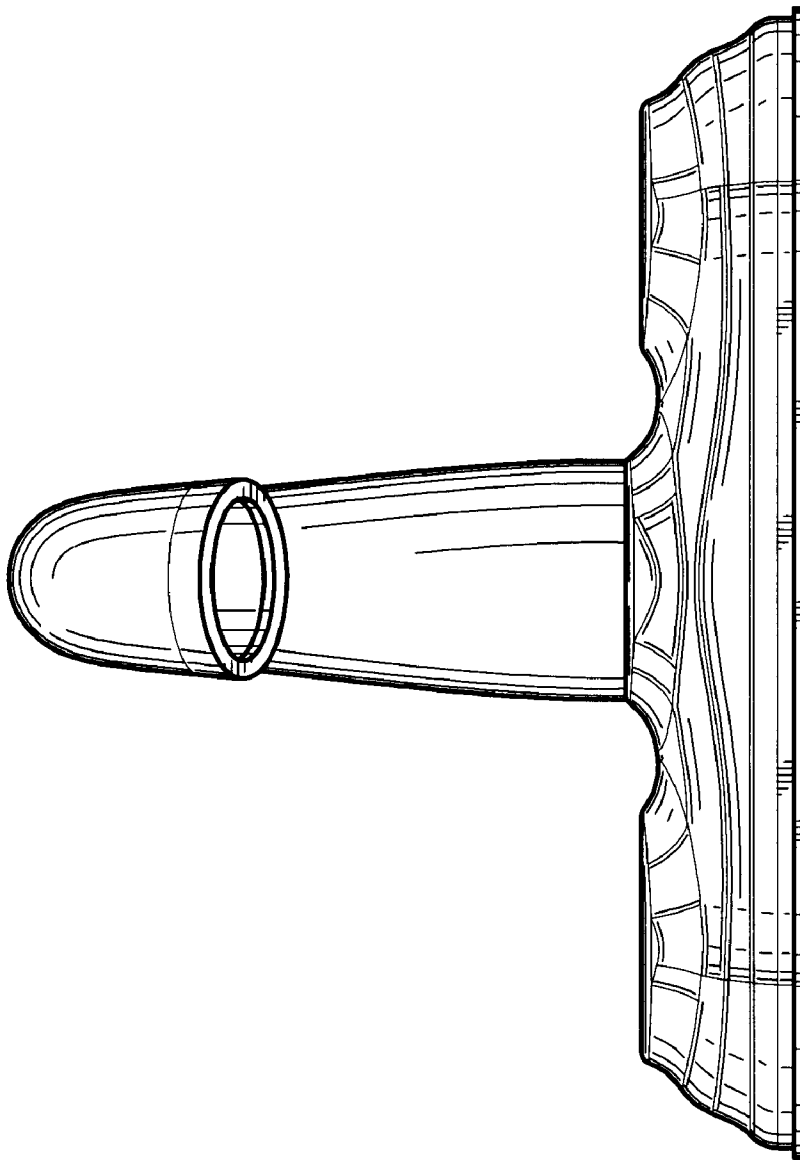


Figure - 5

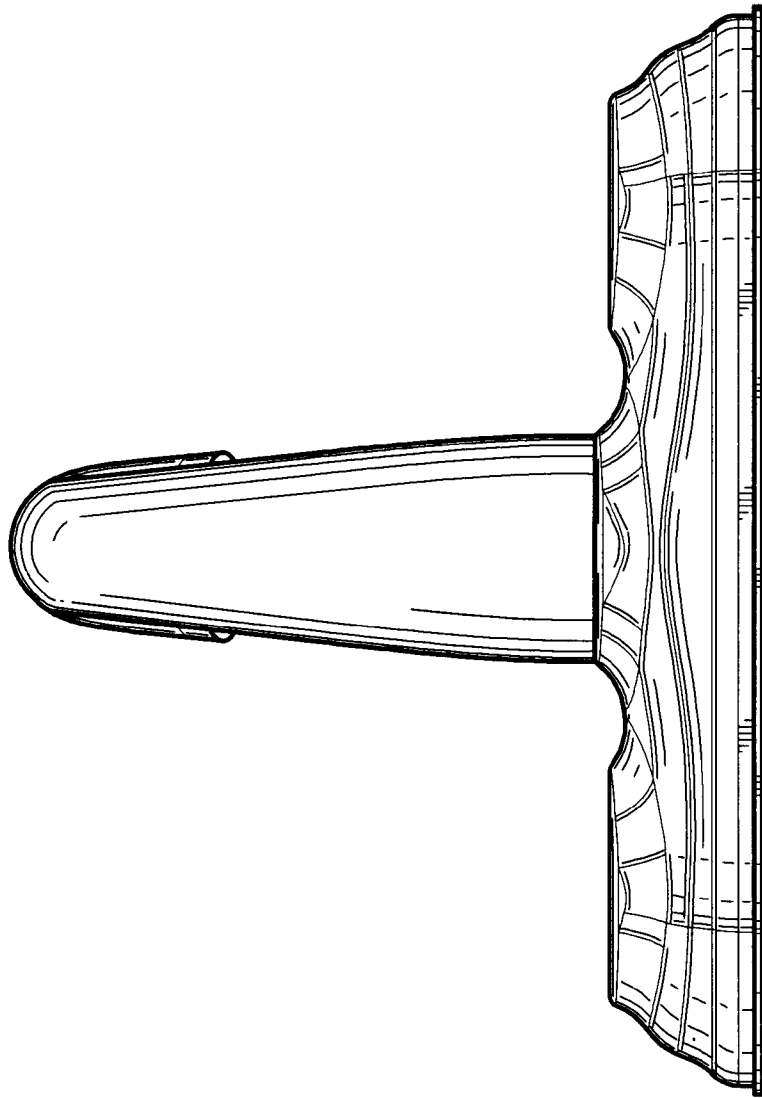


Figure - 6

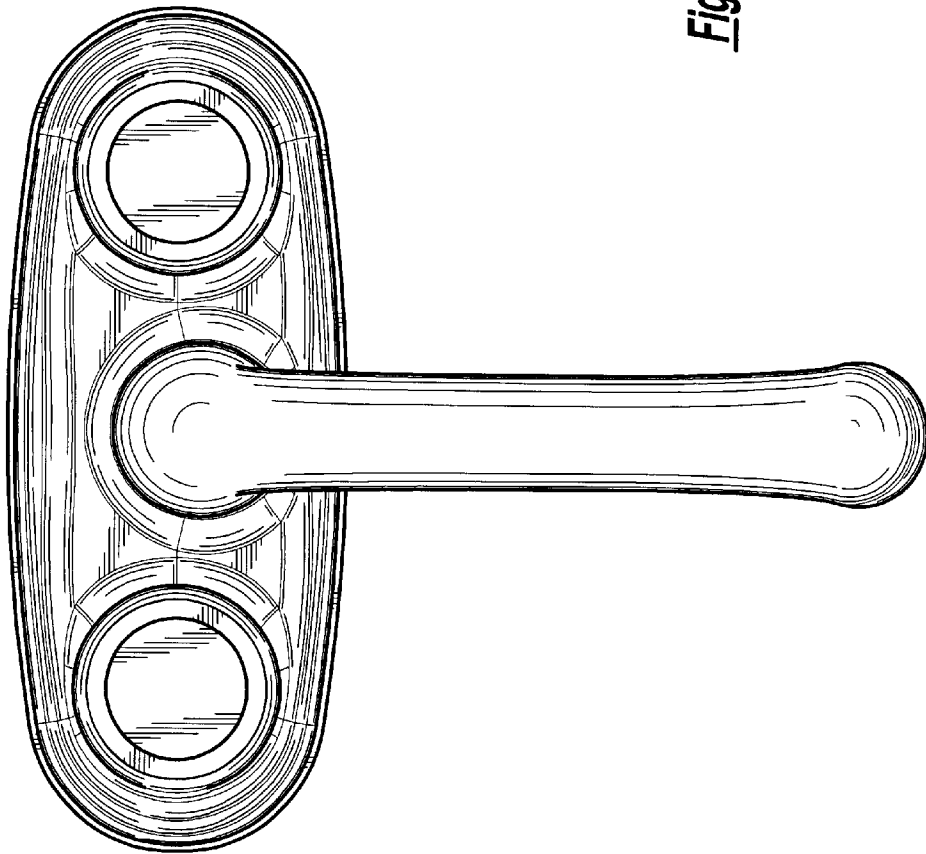


Figure - 7

Figure - 8

