



US00D335406S

United States Patent [19]

[11] Patent Number: **Des. 335,406**

Vonhausen

[45] Date of Patent: **** May 11, 1993**

[54] **TABLE**

4,612,863 9/1986 Von hausen et al. .

4,974,913 12/1990 Vogt et al. 312/195

[75] Inventor: **Robert Vonhausen**, Giessen, Fed. Rep. of Germany

[73] Assignee: **Vermögensverwaltung Franz Vogt Familienstiftung KG**, Fed. Rep. of Germany

[**] Term: **14 Years**

[21] Appl. No.: **914,737**

[22] Filed: **Jul. 20, 1992**

OTHER PUBLICATIONS

DOMUS, Sep. 1987, p. 102, table at bottom.
DOMUS, Nov. 1978, p. 35, table at top right.
INMAC, Jun. 1987, p. 13, table at top left.
INMAC, ©1984, p. 11, table at right.

Primary Examiner—Nelson C. Holtje
Assistant Examiner—J. E. Seeger
Attorney, Agent, or Firm—Jones, Tullar & Cooper

[57] CLAIM

The ornamental design for a table, as shown and described.

Related U.S. Application Data

[62] Division of Ser. No. 222,734, Jul. 22, 1988.

[30] Foreign Application Priority Data

Jan. 25, 1988 [DE] Fed. Rep. of Germany ... 21 MR 609

[52] U.S. Cl. **D6/484; D6/429**

[58] Field of Search **D6/480, 482-488, D6/495-499, 422, 423, 419, 420; 108/144, 143, 149; 312/195**

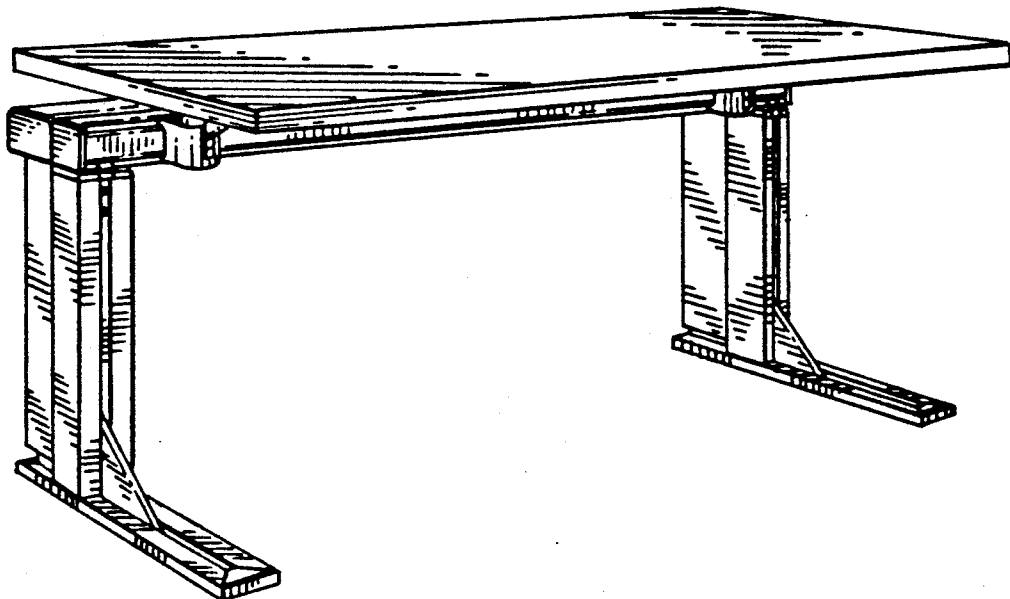
[56] References Cited

U.S. PATENT DOCUMENTS

- D. 132,166 4/1942 Cloutier D6/419 X
- D. 174,407 4/1955 Anderle .
- D. 284,532 7/1986 Vogt D6/480
- D. 299,798 2/1989 Sottsas et al. D6/484
- D. 312,928 12/1990 Scheffers .
- D. 320,709 10/1991 Lotsch et al. D6/484 X

DESCRIPTION

FIG. 1 is a front perspective view of a table, showing my new design;
FIG. 2 is a front and side perspective view thereof;
FIG. 3 is a rear perspective view thereof;
FIG. 4 is a rear and side perspective view thereof;
FIG. 5 is a fragmentary side perspective view thereof;
FIG. 6 is a side perspective view thereof;
FIG. 7 is a side perspective view, showing a second embodiment of my new design;
FIG. 8 is a fragmentary side perspective view thereof;
FIG. 9 is a front perspective view, showing a third embodiment of my new design;
FIG. 10 is a rear perspective view thereof; and,
FIG. 11 is a rear perspective view of a fourth embodiment of my new design.



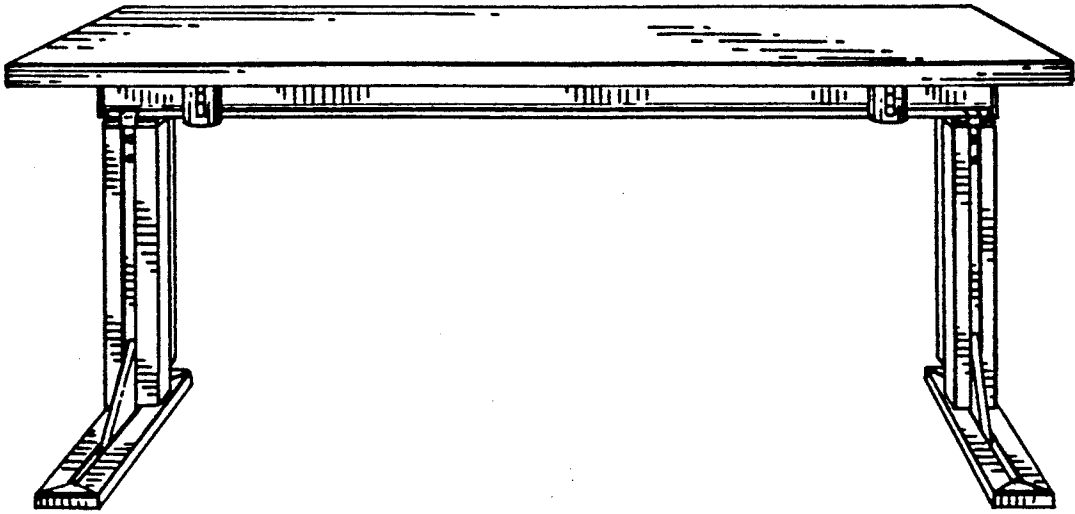


FIG. 1

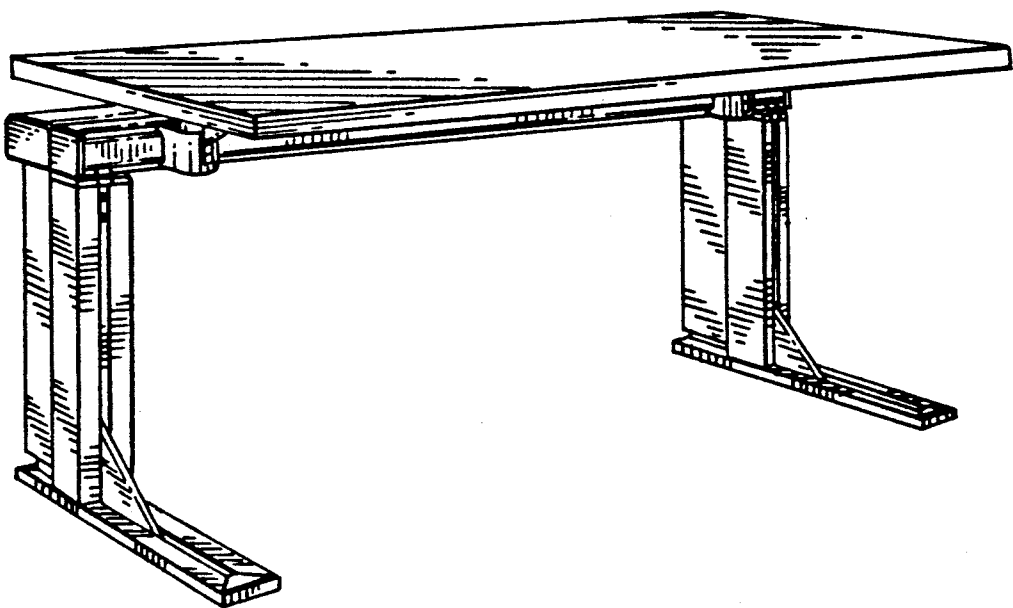


FIG. 2

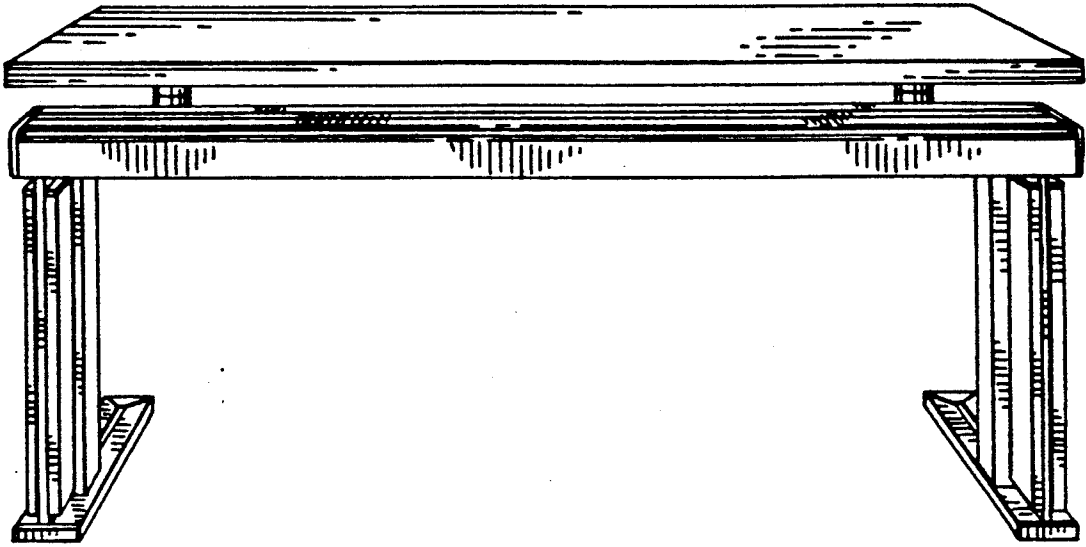


FIG. 3

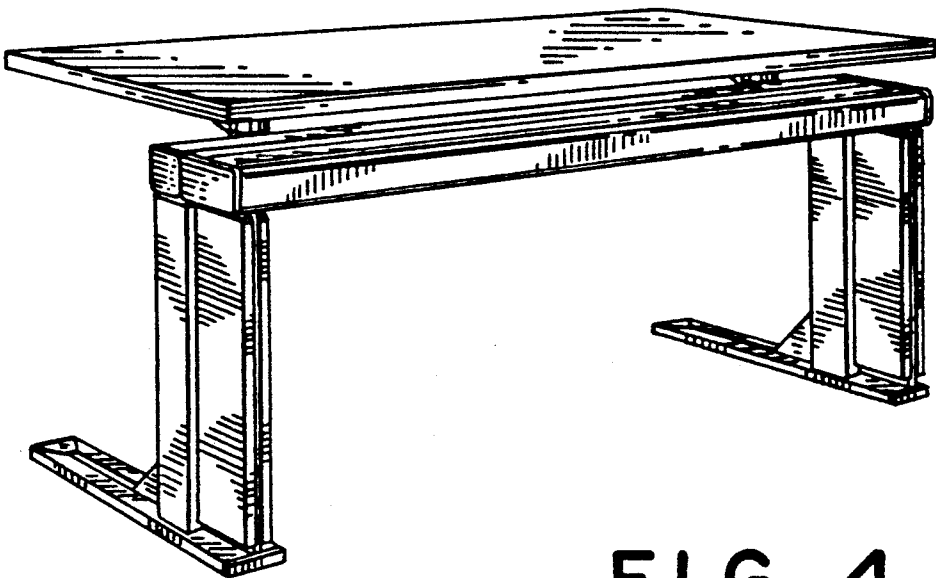


FIG. 4

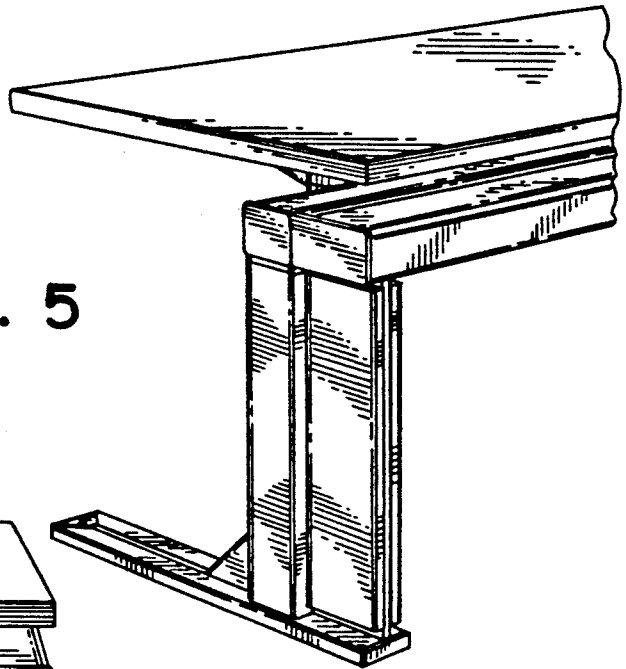


FIG. 5

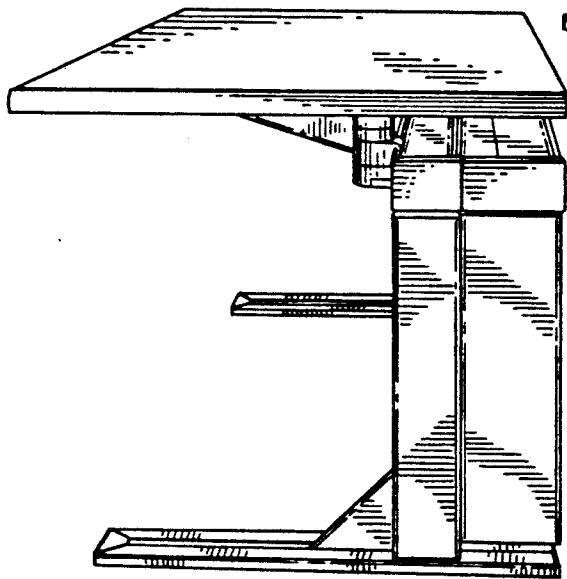


FIG. 6

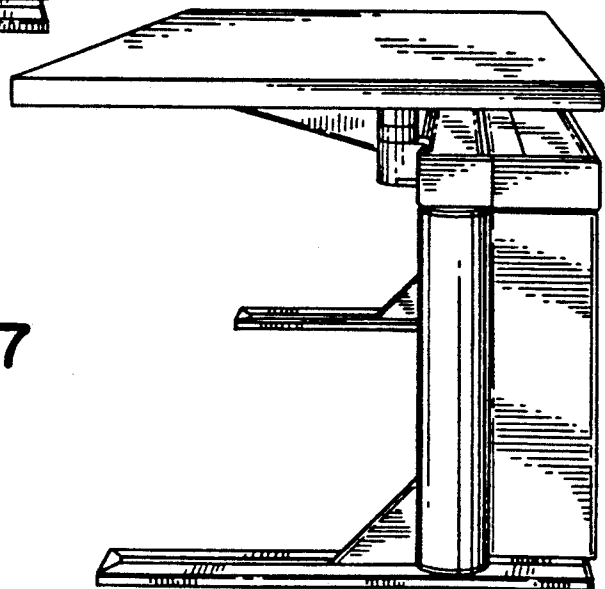


FIG. 7

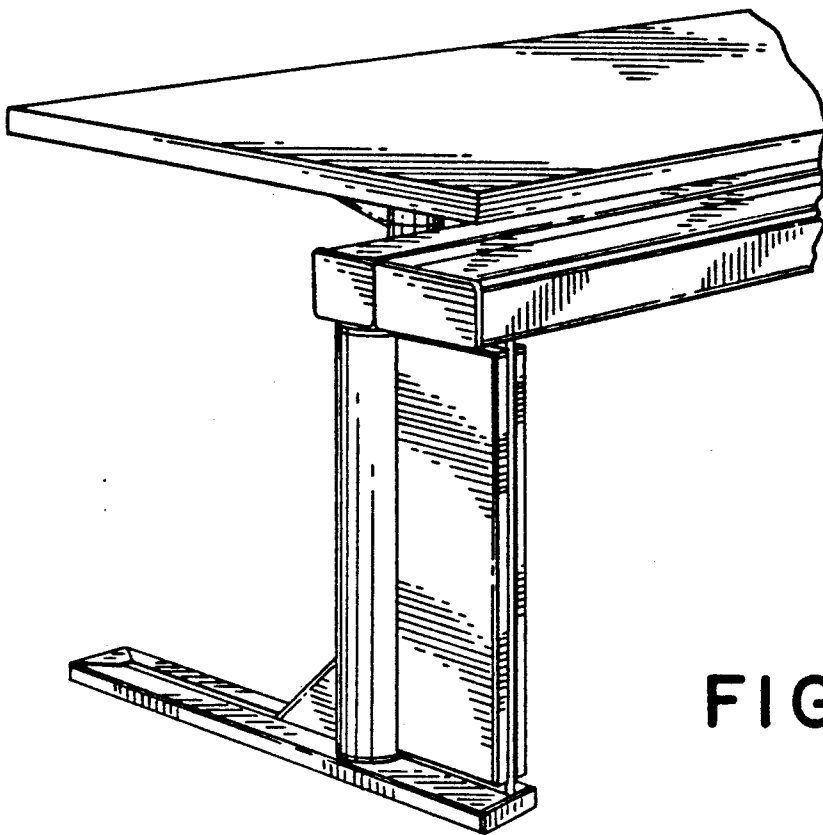


FIG. 8

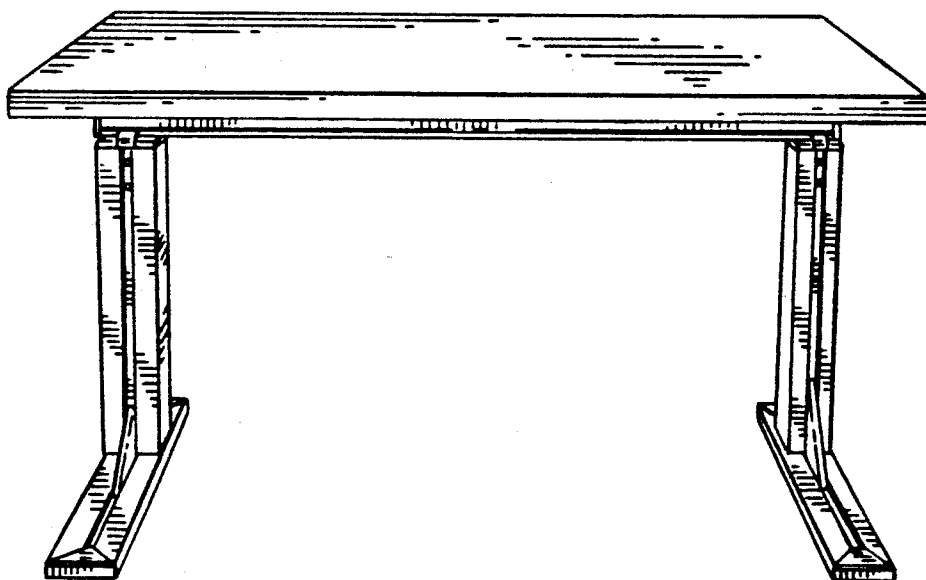


FIG. 9

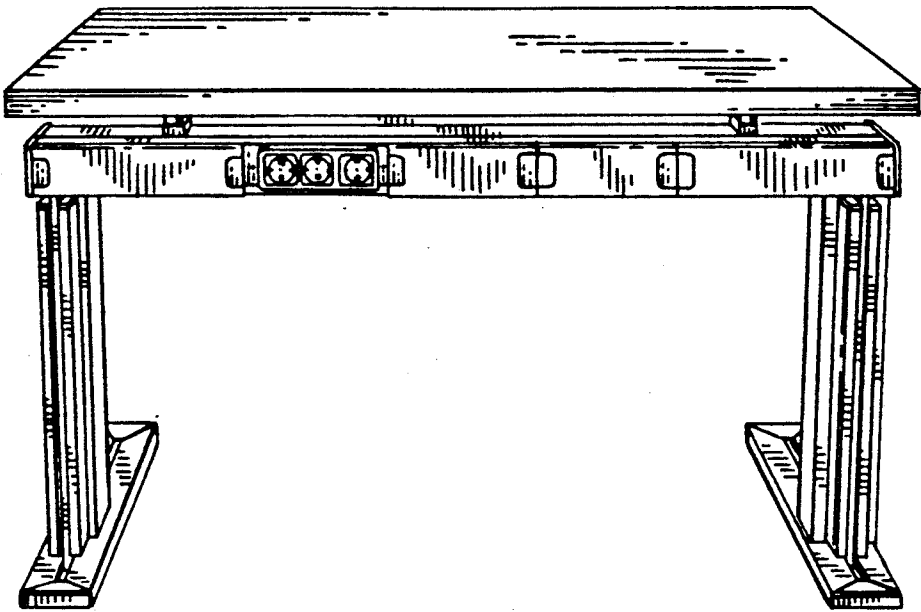


FIG. 10

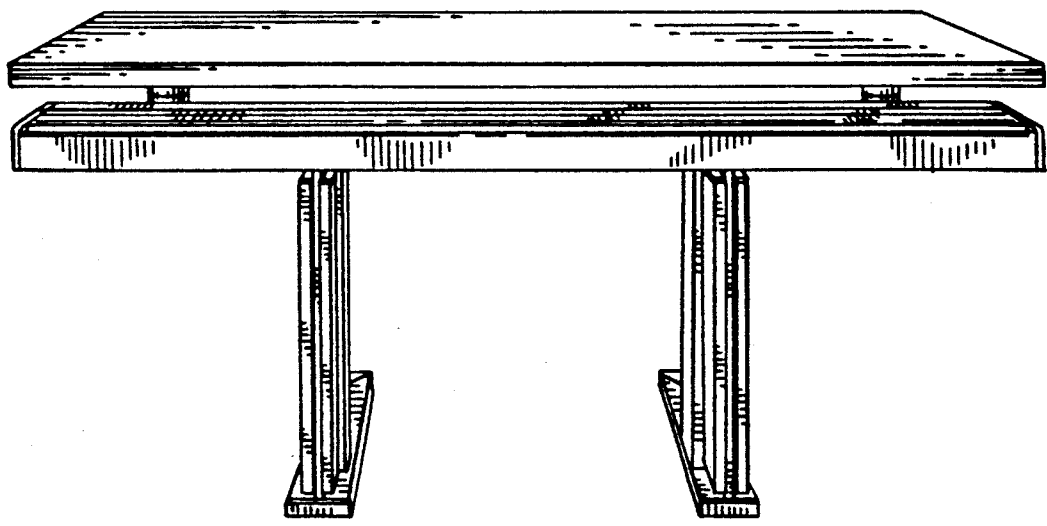


FIG. 11