



US00D689570S

(12) **United States Design Patent**  
**Adema**

(10) **Patent No.:** **US D689,570 S**

(45) **Date of Patent:** **\*\* Sep. 10, 2013**

(54) **SOCCER BALL DEFLECTION PANEL**

(76) Inventor: **Wayne P Adema**, Sheboygan, WI (US)

(\*\*) Term: **14 Years**

(21) Appl. No.: **29/430,759**

(22) Filed: **Aug. 29, 2012**

**Related U.S. Application Data**

(62) Division of application No. 13/587,715, filed on Aug. 16, 2012.

(51) **LOC (9) Cl.** ..... **21-02**

(52) **U.S. Cl.**  
USPC ..... **D21/698; D21/699**

(58) **Field of Classification Search**  
USPC ..... D21/302-309, 682, 686, 694, 696,  
D21/698-706, 780, 781; D6/491-494, 505,  
D6/509, 511; D20/10, 12-15, 17, 19, 29-99;  
D10/109.1, 109.2, 111, 113.1-114.5, 121,  
D10/125, 15, 24-26; 473/415-504;  
273/317-412; D14/371-382

See application file for complete search history.

(56) **References Cited**

**U.S. PATENT DOCUMENTS**

2,124,123	A *	7/1938	Rosengarten	473/278
D194,462	S	1/1963	Brody et al.	
4,105,208	A *	8/1978	Polhuis	473/471
6,135,456	A *	10/2000	Cooper	273/371
6,192,635	B1 *	2/2001	Zheng	135/126
6,209,877	B1 *	4/2001	Warnick	273/396
6,402,641	B1 *	6/2002	Lee	473/446
6,422,956	B1 *	7/2002	Kusmiss	473/435
D495,016	S *	8/2004	Nudo	D21/698
6,926,281	B1 *	8/2005	Woock	273/403
D513,774	S *	1/2006	Nudo	D21/698
6,991,567	B2 *	1/2006	Wong et al.	473/478
7,249,767	B1 *	7/2007	Gorton	273/396
D590,029	S	4/2009	Manderbacka	

D590,030	S	4/2009	Manderbacka	
D595,362	S *	6/2009	Maier-Hunke	D20/42
D622,514	S *	8/2010	Park et al.	D6/308
7,909,330	B2 *	3/2011	Domjen	273/396
D640,889	S *	7/2011	Wahl et al.	D6/505
2003/0228943	A1 *	12/2003	Powell	473/454
2004/0014538	A1 *	1/2004	Bennett	473/456
2006/0089213	A1 *	4/2006	Snyder	473/435
2006/0237913	A1 *	10/2006	Giske et al.	273/402
2010/0041498	A1 *	2/2010	Adams	473/451
2012/0129633	A1 *	5/2012	Chen	473/435
2012/0184415	A1 *	7/2012	Rothacker	482/93

\* cited by examiner

*Primary Examiner* — Catherine Tuttle

(74) *Attorney, Agent, or Firm* — Boyle Fredrickson S.C.

(57) **CLAIM**

I claim the ornamental design for a soccer ball deflection panel, as shown and described.

**DESCRIPTION**

A portion of the disclosure of this patent document contains material that is subject to copyright protection. The copyright owner has no objection to the facsimile reproduction by anyone of the patent document or patent disclosure as it appears in the Patent and Trademark office, patent file or records, but otherwise reserves all copyright rights whatsoever.

FIG. 1 is a top side and front perspective view of the soccer ball deflection panel showing my new design;

FIG. 2 is a front elevational view thereof, the opposing view being identical thereto;

FIG. 3 is a side, top and rear perspective view thereof;

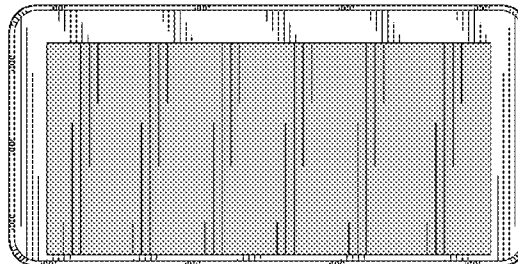
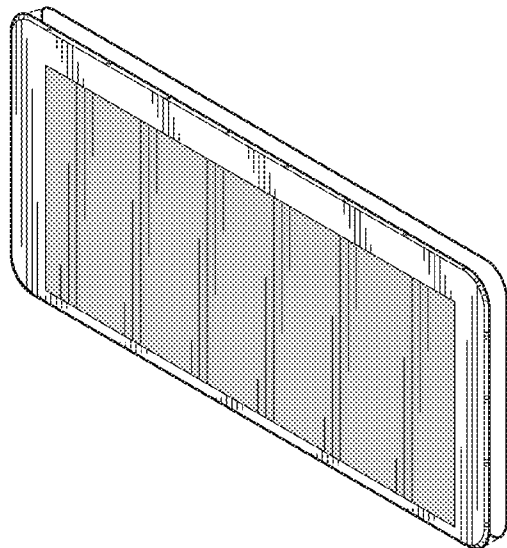
FIG. 4 is a side view thereof, the opposing side view being identical thereto;

FIG. 5 is a top view thereof, the opposing bottom view being identical thereto; and,

FIG. 6 is an enlarged scale right and left side view thereof.

The soccer ball deflection panel forming part of the claimed design is a trademark of PROCONTROL™.

**1 Claim, 3 Drawing Sheets**



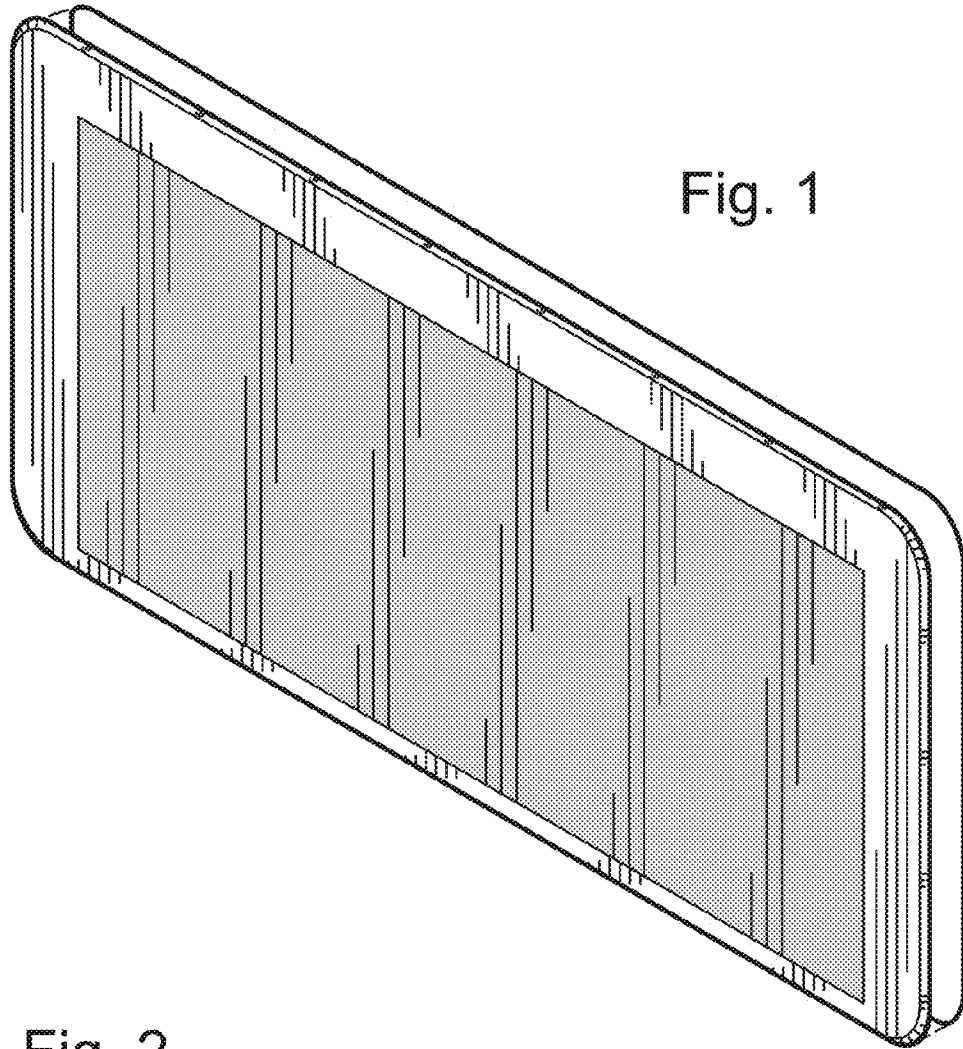


Fig. 1

Fig. 2

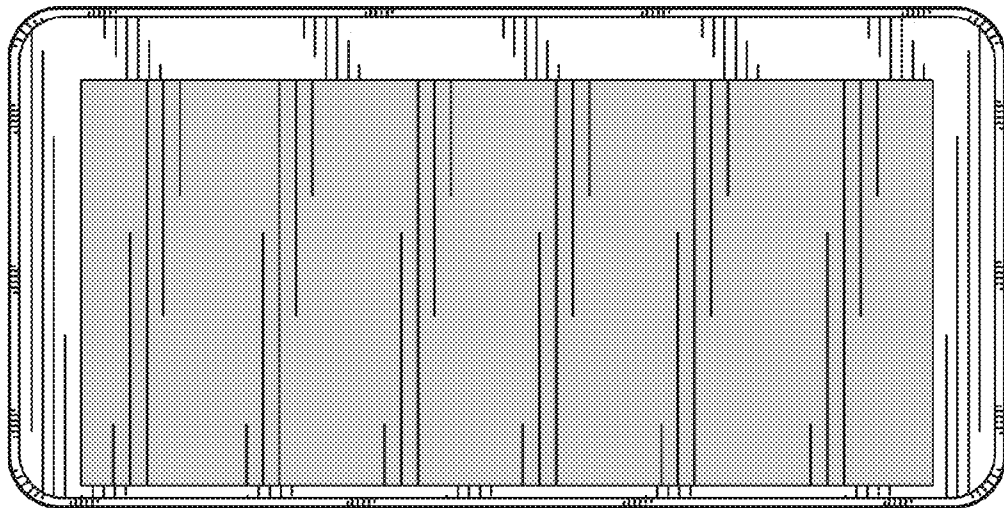


Fig. 3

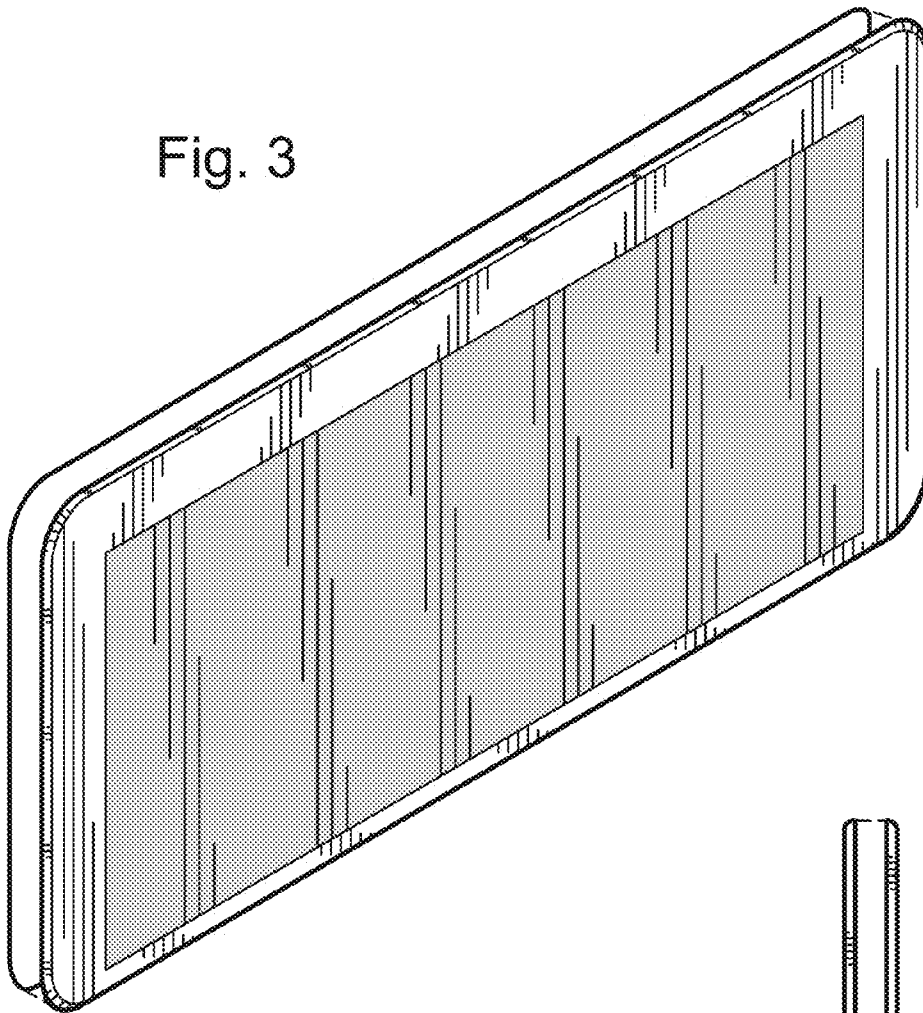


Fig. 4



Fig. 5

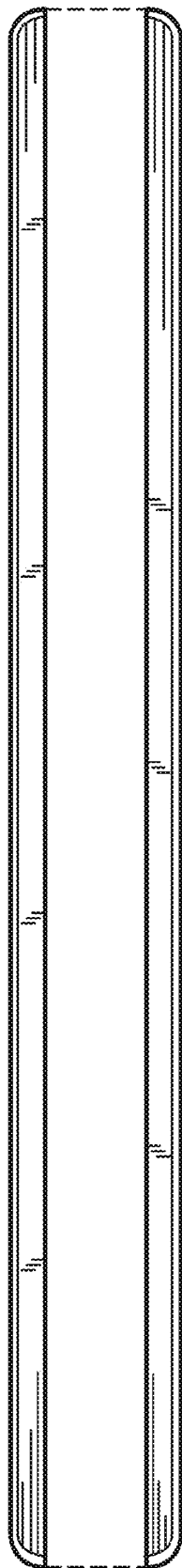


Fig. 6