



US00D950298S

(12) **United States Design Patent**  
**Yang**

(10) **Patent No.:** **US D950,298 S**

(45) **Date of Patent:** **\*\* May 3, 2022**

(54) **STOVE**

(71) Applicant: **Weihong Yang**, Zhenjiang (CN)

(72) Inventor: **Weihong Yang**, Zhenjiang (CN)

(\*\*) Term: **15 Years**

(21) Appl. No.: **29/787,101**

(22) Filed: **Jun. 4, 2021**

(51) **LOC (13) Cl.** ..... **07-02**

(52) **U.S. Cl.**  
USPC ..... **D7/339**

(58) **Field of Classification Search**  
USPC ..... D7/323, 328–330, 334, 339–349, 390,  
D7/402–406; D8/300–306  
CPC ... A21B 2/00; A47J 37/00; A47J 37/06; A47J  
37/0611; A47J 37/0745; A47J 37/0763;  
A47J 37/08; A47J 37/0807; A47J  
37/0814; A47J 37/0835; A47J 37/0842;  
A47J 37/085; A47J 37/0864; A47J  
37/0878; A47J 37/0885; A47J 37/0892;  
F24B 1/02; F24B 1/202; F24B 1/205;  
F24C 7/00; F24C 7/002; F24C 7/046;  
F24C 7/067; F24C 15/02; F24C 15/04;  
F24C 15/10; F24C 15/102

See application file for complete search history.

(56) **References Cited**  
U.S. PATENT DOCUMENTS

1,955,147 A \* 4/1934 Remington ..... F24B 1/205  
312/351.3

2,129,371 A \* 9/1938 Robinson ..... F24B 1/202  
126/9 R

2,922,414 A \* 1/1960 Brender ..... F24B 1/202  
D7/332

3,124,057 A \* 3/1964 Kiser ..... A47J 37/0745  
126/25 R

3,489,131 A \* 1/1970 Richins ..... F24B 1/205  
126/9 R

3,880,139 A \* 4/1975 Young ..... A47J 37/0763  
126/552

4,069,806 A \* 1/1978 Landry ..... F24B 1/205  
126/307 R

4,121,561 A \* 10/1978 Cote ..... F24B 1/02  
220/DIG. 25

4,911,140 A \* 3/1990 Robinson ..... F24B 1/205  
126/9 R

5,947,105 A \* 9/1999 Scott ..... F24B 1/202  
29/403.1

D495,919 S 9/2004 De Mello

D674,234 S \* 1/2013 Todd ..... D7/334

D874,209 S 2/2020 Harrell et al.

D942,203 S \* 2/2022 Jiang ..... D7/339

D942,796 S \* 2/2022 Jiang ..... D7/339

\* cited by examiner

*Primary Examiner* — Ricky Pham

(57) **CLAIM**

The ornamental design for a stove, as shown and described.

**DESCRIPTION**

FIG. 1 is a perspective view of a stove showing my new design;

FIG. 2 is a rear elevational view thereof;

FIG. 3 is a front elevational view thereof;

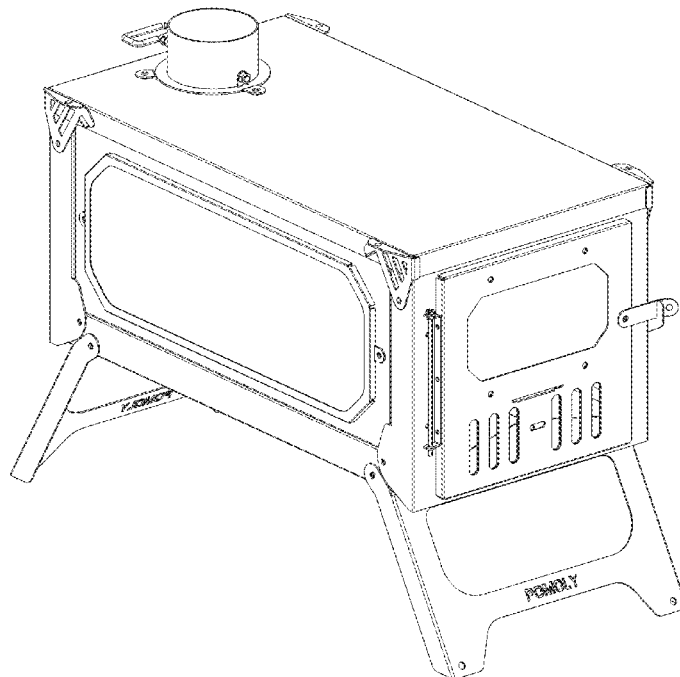
FIG. 4 is a right side elevational view thereof;

FIG. 5 is a left side elevational view thereof;

FIG. 6 is a top plan view thereof; and,

FIG. 7 is a bottom plan view thereof.

**1 Claim, 7 Drawing Sheets**



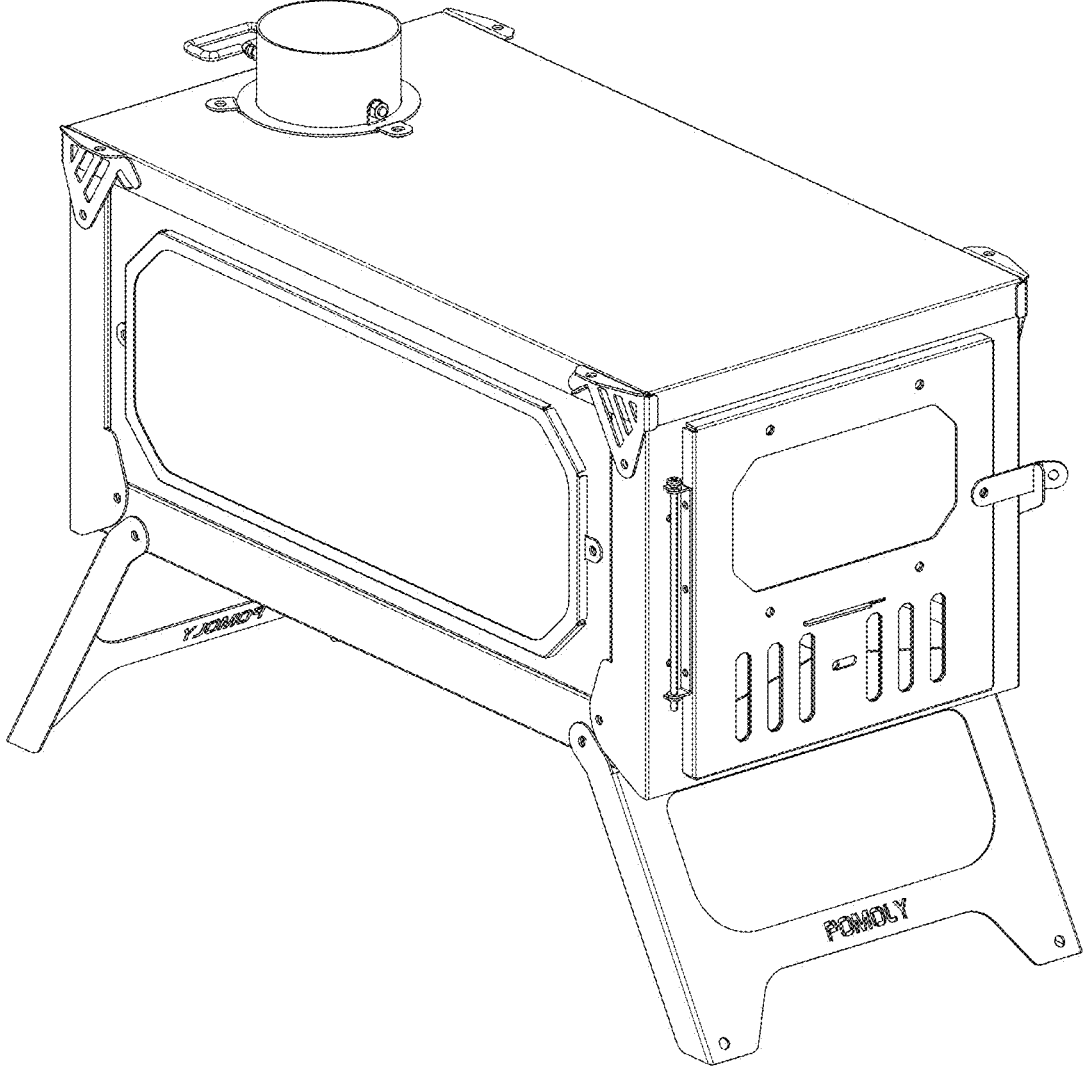


FIG. 1

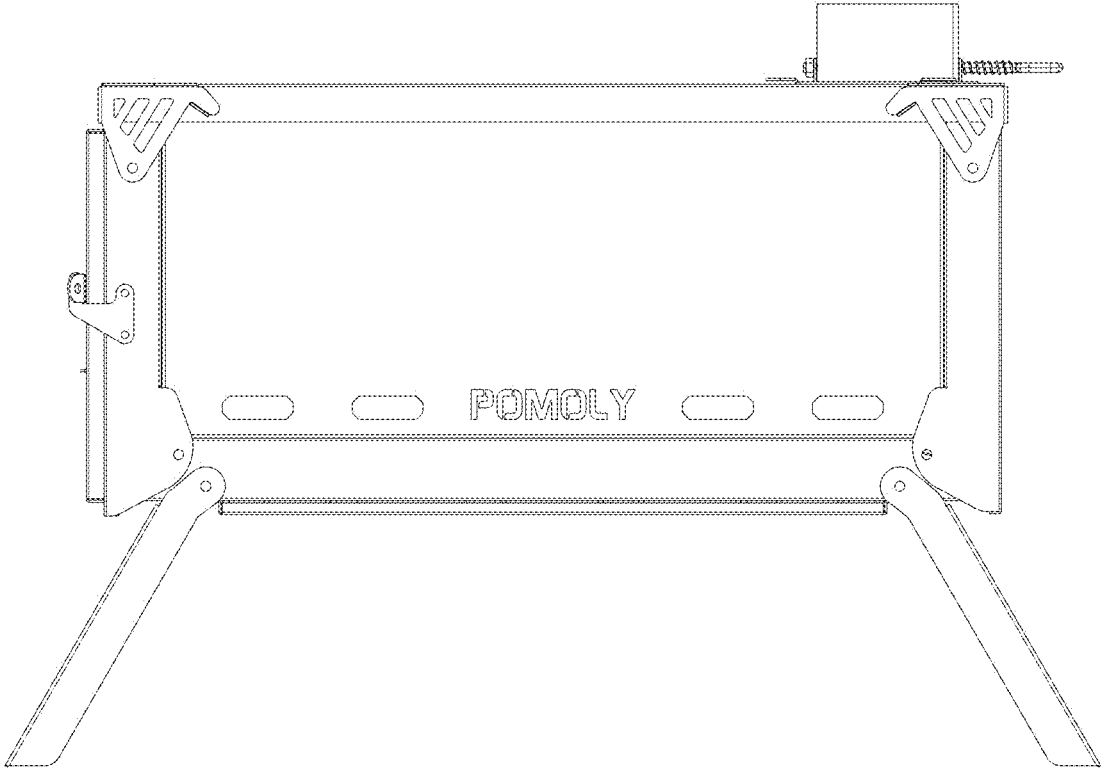


FIG. 2

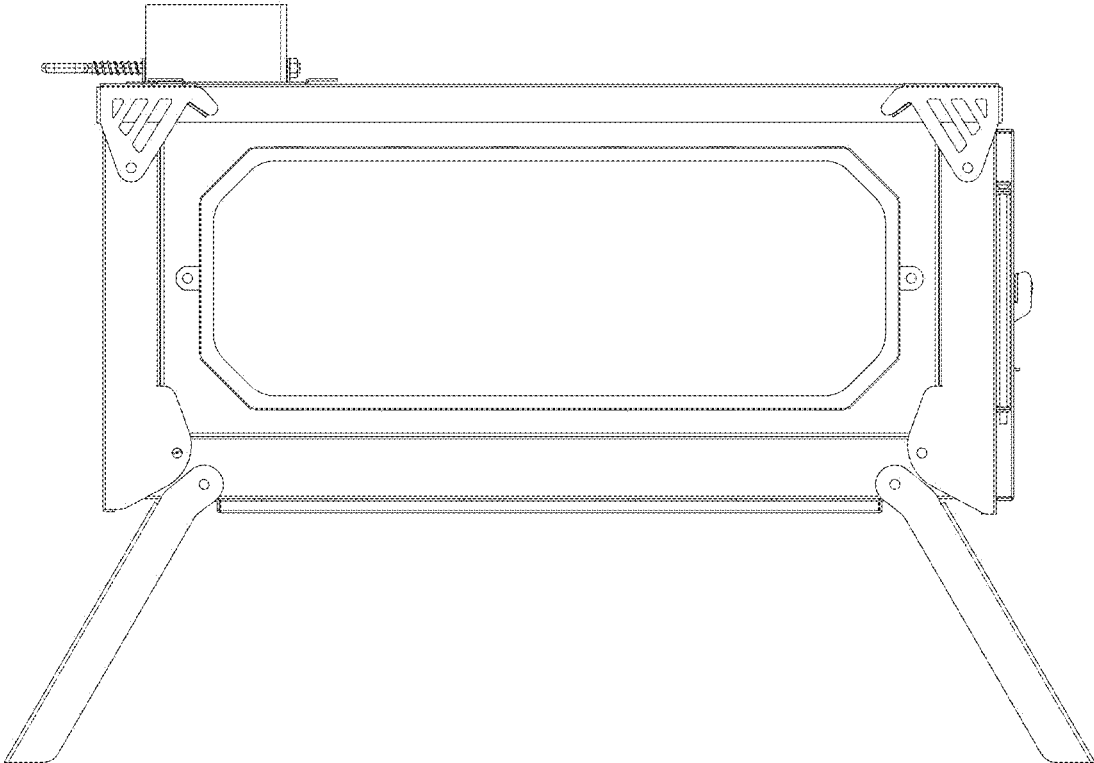


FIG. 3

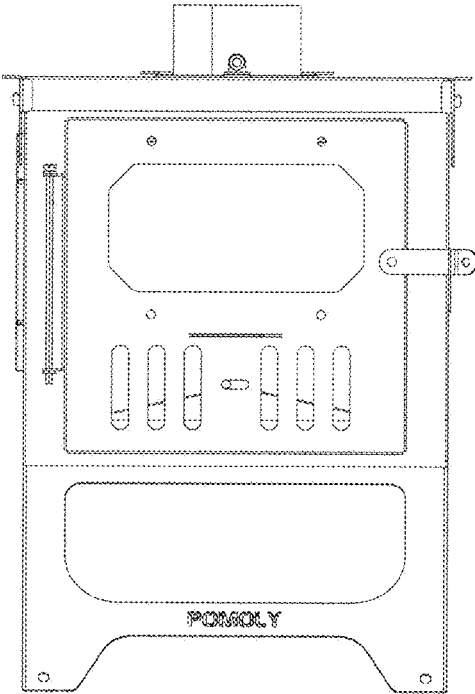


FIG. 4

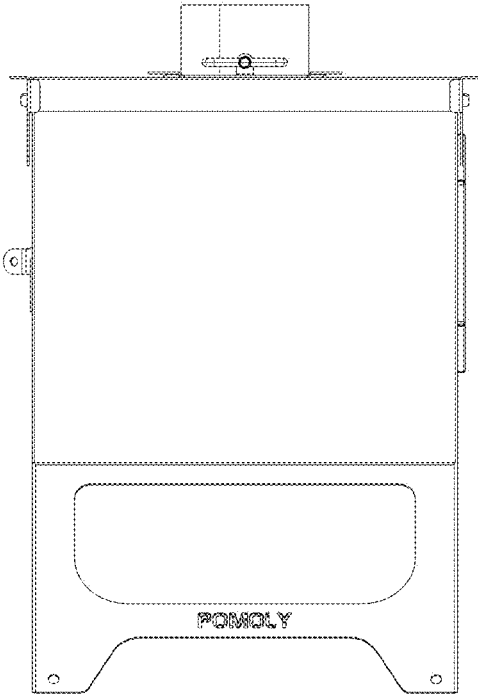


FIG. 5

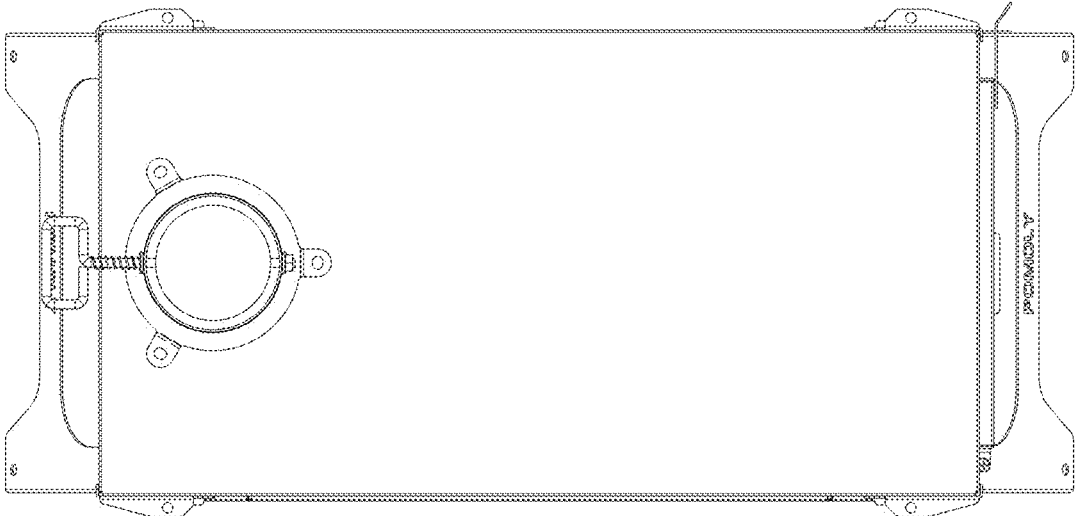


FIG. 6

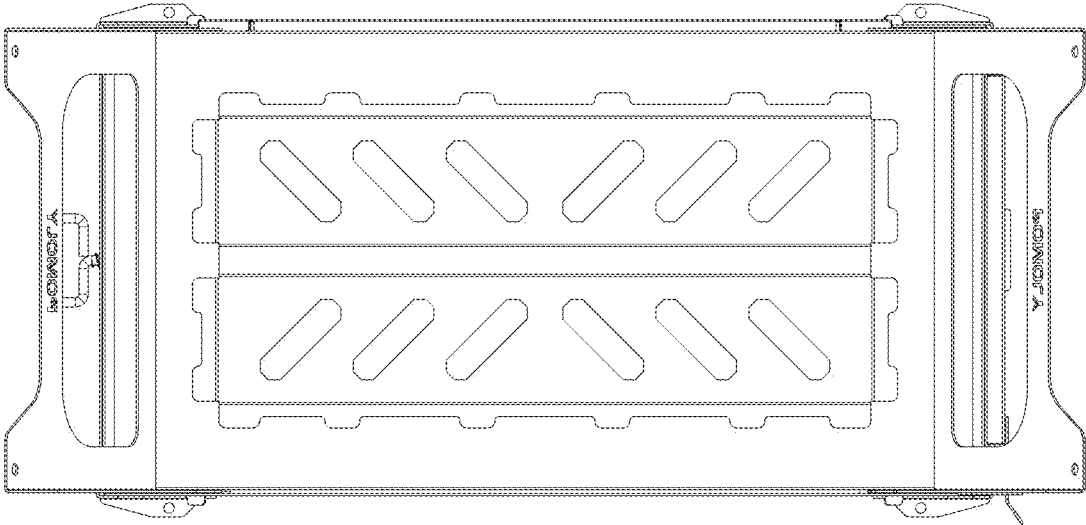


FIG. 7