



US00D807309S

(12) **United States Design Patent**  
**Johnson et al.**

(10) **Patent No.:** **US D807,309 S**  
(45) **Date of Patent:** **\*\* Jan. 9, 2018**

(54) **ROTARY DIAL FOR A SWITCH PANEL USER INTERFACE**

(71) Applicant: **Caterpillar Inc.**, Peoria, IL (US)

(72) Inventors: **Terril James Johnson**, Washington, IL (US); **Ashley Dallas Menges**, Clayton, NC (US)

(73) Assignee: **Caterpillar Inc.**, Peoria, IL (US)

(\*\*) Term: **15 Years**

(21) Appl. No.: **29/573,816**

(22) Filed: **Aug. 10, 2016**

(51) **LOC (11) Cl.** ..... **13-03**

(52) **U.S. Cl.**  
USPC ..... **D13/174**

(58) **Field of Classification Search**  
USPC ..... D13/162, 171, 174, 177; D8/300, 307, D8/310, 312

CPC .. H01H 3/02; H01H 3/08; H01H 3/12; H01H 3/16; H01H 13/04; H01H 13/14; H01H 19/04; H01H 19/14; G06F 3/0362; G05G 1/08; G05G 1/10; H02G 3/14; H05K 5/0017; H05K 5/0026

See application file for complete search history.

(56) **References Cited**

**U.S. PATENT DOCUMENTS**

4,373,405	A *	2/1983	Geil	.....	G05G 1/08 188/67
D377,337	S *	1/1997	Schaeffer	.....	D13/171
5,765,449	A *	6/1998	LeMire	.....	G05G 1/12 16/441
D432,998	S *	10/2000	Decosse	.....	D13/174
D469,411	S *	1/2003	Decosse	.....	D13/171
D507,543	S *	7/2005	Ishii	.....	D13/174
D513,237	S *	12/2005	Langner	.....	D13/174

7,223,926	B1 *	5/2007	Gannon	.....	G05G 1/082 200/11 R
D570,300	S *	6/2008	Weinberg	.....	D13/174
7,450,108	B2 *	11/2008	Clabunde	.....	G05G 9/047 200/18
7,680,574	B2 *	3/2010	Berg	.....	B60K 35/00 345/173
8,067,709	B2 *	11/2011	Han	.....	B62D 1/046 200/336
D698,754	S *	2/2014	Vuillet	.....	D13/168
8,698,030	B2 *	4/2014	Yokoyama	.....	G06F 3/03547 200/600
8,901,443	B2 *	12/2014	Baker	.....	G06F 3/0362 200/17 R
8,987,620	B2 *	3/2015	Gohng	.....	G06F 3/016 200/61.54
9,361,000	B2 *	6/2016	Furue	.....	G06F 3/0482
9,423,894	B2 *	8/2016	Olsson	.....	G05G 9/047
D765,611	S *	9/2016	Kaliauer	.....	D13/177
9,542,017	B2 *	1/2017	Sakai	.....	B29C 45/16

(Continued)

*Primary Examiner* — Selina Sikder

(57) **CLAIM**

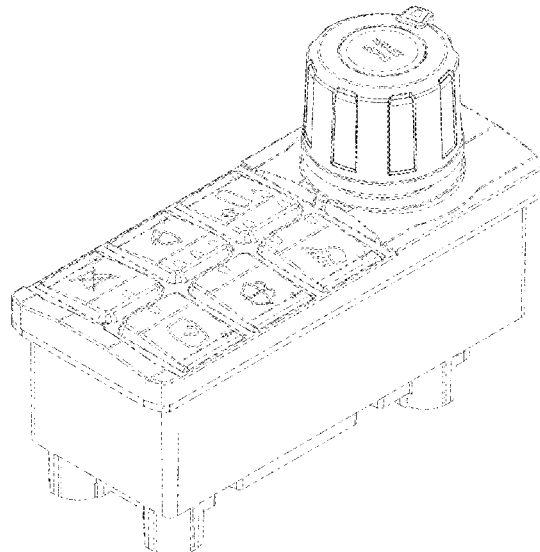
The ornamental design for a rotary dial for a switch panel user interface, as shown and described.

**DESCRIPTION**

FIG. 1 is a perspective view of a rotary dial for a switch panel user interface showing our new design; FIG. 2 is a top view thereof; FIG. 3 is a side view thereof; FIG. 4 is a front view thereof; and, FIG. 5 is a rear view thereof.

The dashed broken lines represent structure or features which form no part of the claimed design; the broken lines themselves form no part of the claimed design. The dot-dash broken lines represent boundaries of the claimed design; the dot-dash broken lines themselves form no part of the claimed design.

**1 Claim, 5 Drawing Sheets**



(56)

**References Cited**

U.S. PATENT DOCUMENTS

9,607,789	B1 *	3/2017	Hodea .....	H01H 13/58	2015/0041292	A1 *	2/2015	Sugiura .....	H01H 13/14
9,646,781	B1 *	5/2017	Gluchman, Jr. ....	H01H 13/14					200/17 R
9,691,563	B2 *	6/2017	Okazaki .....	H01H 3/12	2015/0077954	A1 *	3/2015	Wang .....	H01H 35/00
9,710,077	B2 *	7/2017	Okazaki .....	G06F 3/0362					361/752
2005/0189205	A1 *	9/2005	Fujii .....	H01H 9/182	2015/0150646	A1 *	6/2015	Pryor .....	G06F 3/0362
				200/314					345/174
2006/0237294	A1 *	10/2006	Greer .....	H01H 1/5805	2015/0231969	A1 *	8/2015	Holl .....	B60K 37/06
				200/313					345/158
2010/0000846	A1 *	1/2010	Nemetz .....	B25F 5/00	2015/0251573	A1 *	9/2015	Misch .....	B60N 2/665
				200/336					297/452.41
2012/0247934	A1 *	10/2012	Schmidt .....	H01H 19/14	2015/0331441	A1 *	11/2015	Ho .....	H05K 5/0239
				200/336					361/752
2013/0199901	A1 *	8/2013	Kreider .....	B60K 37/06	2015/0340178	A1 *	11/2015	Shimoyama .....	H01H 3/022
				200/4					200/4
2013/0313092	A1 *	11/2013	Inoue .....	H01H 3/12	2016/0077588	A1 *	3/2016	Adams .....	B60K 37/00
				200/341					345/174
2014/0380243	A1 *	12/2014	Furue .....	G06F 3/0482	2016/0085321	A1 *	3/2016	Jung .....	G06F 3/0362
				715/835					345/184

\* cited by examiner

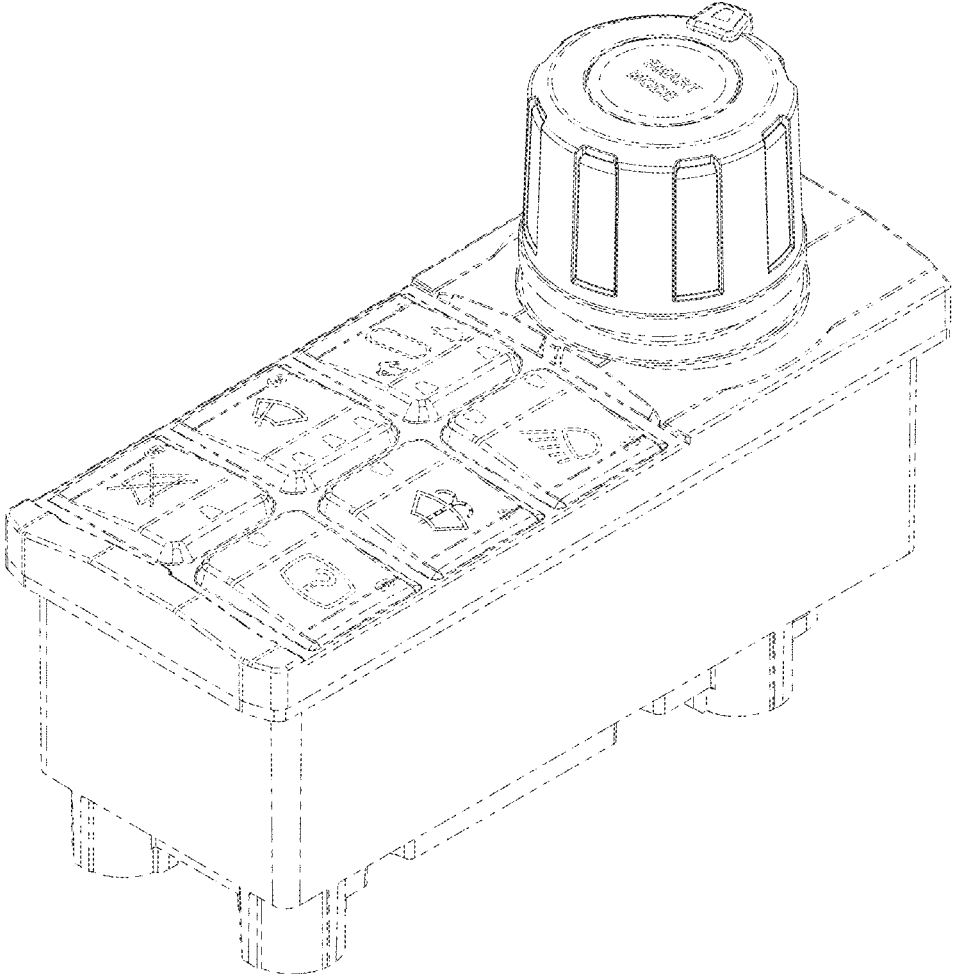


FIG. 1

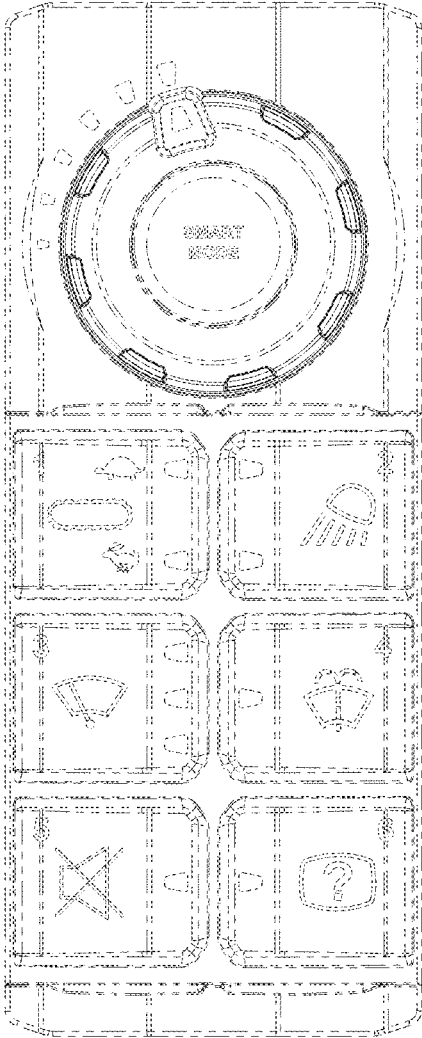


FIG. 2

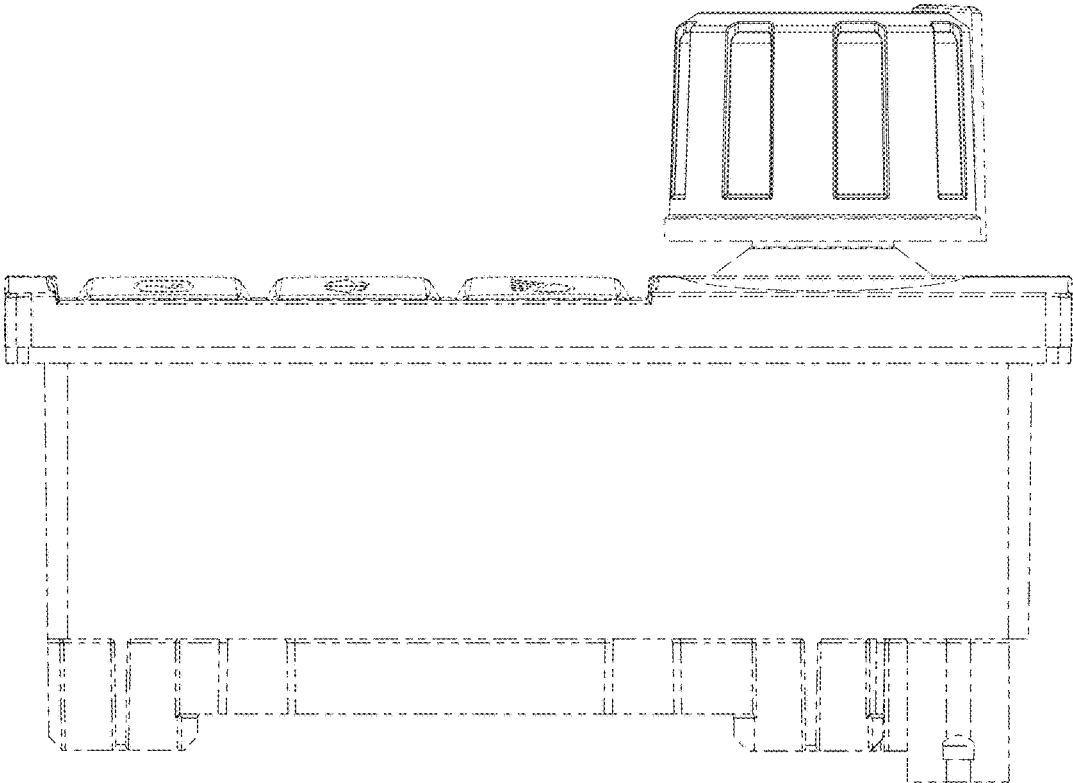


FIG. 3

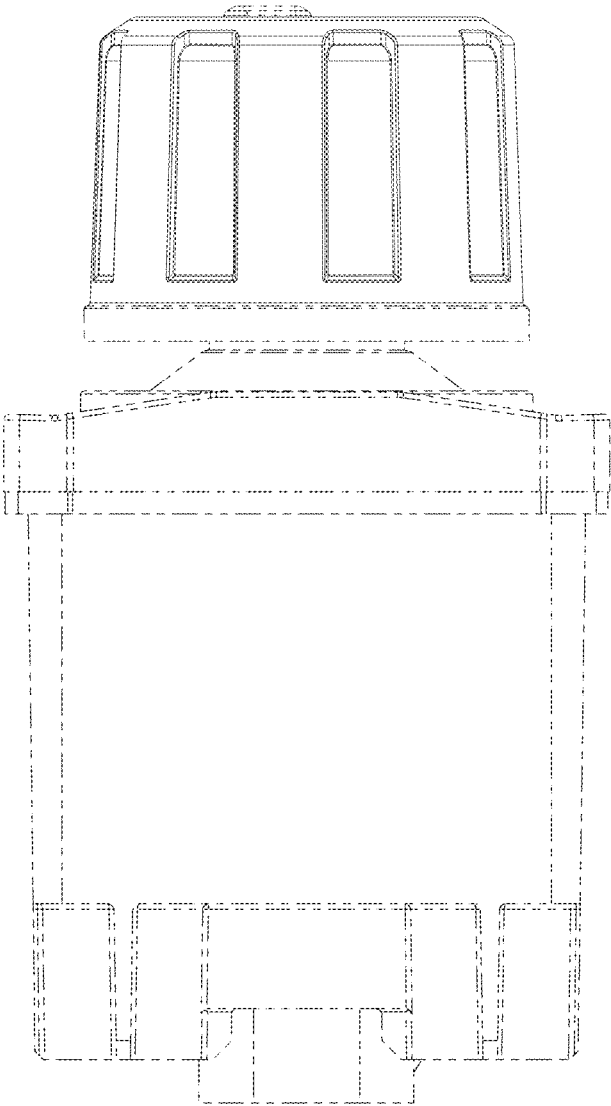


FIG. 4

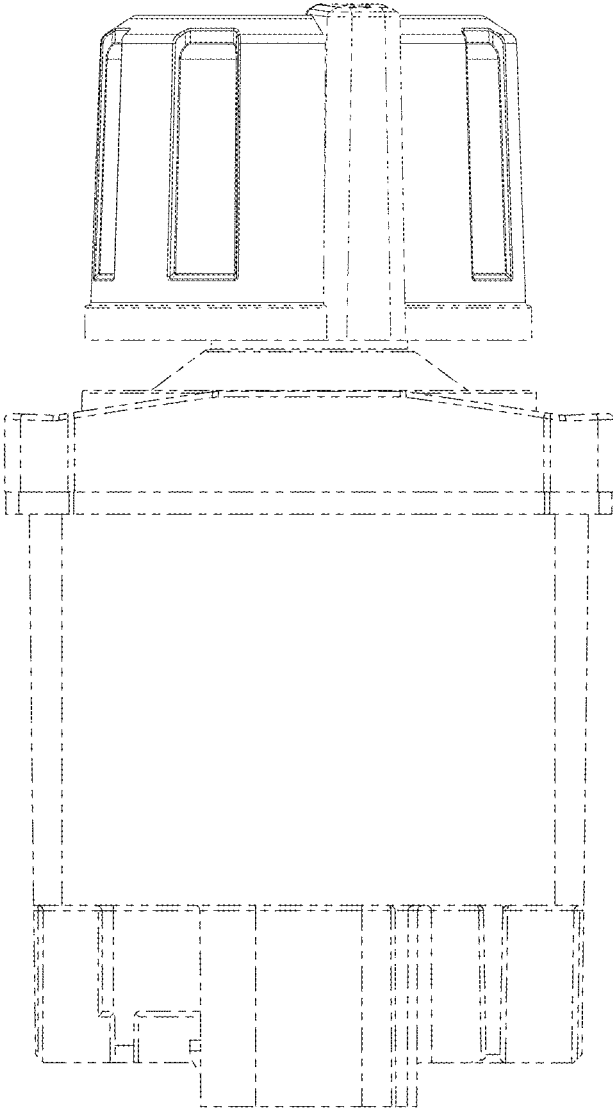


FIG. 5