



US0D1016278S

(12) **United States Design Patent**
Moeller et al.

(10) **Patent No.:** **US D1,016,278 S**

(45) **Date of Patent:** **** Feb. 27, 2024**

- (54) **TUBE SECURING DEVICE**
- (71) Applicant: **Avent, Inc.**, Alpharetta, GA (US)
- (72) Inventors: **Preston A. Moeller**, Alpharetta, GA (US); **Emily Brayman**, Atlanta, GA (US); **Donald J. McMichael**, Roswell, GA (US); **Anthony D. Roberts**, Woodstock, GA (US); **Guillermo R. Alas**, Cumming, GA (US); **Hiral S. Shah**, Alpharetta, GA (US)
- (73) Assignee: **Avent, Inc.**, Alpharetta, GA (US)
- (**) Term: **15 Years**
- (21) Appl. No.: **29/833,517**
- (22) Filed: **Apr. 5, 2022**
- (51) **LOC (14) Cl.** **24-02**
- (52) **U.S. Cl.**
USPC **D24/128**
- (58) **Field of Classification Search**
USPC D24/127–128, 228, 230; D8/349, 354, D8/356, 357, 358, 359, 396; 191/12.2 R; 24/3.12; 248/68.1, 74.1, 74.2, 74.3, 74.4; 242/405
CPC A61M 5/178; A61M 25/09041; F16B 7/0433; Y10T 24/349; Y10T 24/44291
See application file for complete search history.

D347,384 S *	5/1994	White	D8/395
D369,740 S *	5/1996	Phillips	D8/380
D380,145 S *	6/1997	Rumpel	D8/395
D537,331 S *	2/2007	Hill	D8/395
D619,711 S *	7/2010	Lombardo	D8/395
D652,288 S *	1/2012	Mercier	D8/396
D655,407 S *	3/2012	Adams	D8/394
D682,464 S *	5/2013	Gary	D26/142
D691,032 S *	10/2013	Chen	D8/396
D808,255 S *	1/2018	Pittman	D8/396
D822,830 S *	7/2018	Aten	D24/128
D862,472 S *	10/2019	Huebner	D14/432
D877,323 S *	3/2020	Reedy-Goss	D24/127

(Continued)

Primary Examiner — Nathan M Johnston

(74) *Attorney, Agent, or Firm* — Dority & Manning, P.A.

(57) **CLAIM**

The ornamental design for a tube securing device, as shown and described.

DESCRIPTION

FIG. 1 is a front perspective view of a tube securing device according to the present design;
 FIG. 2 is a rear perspective view of the tube securing device of FIG. 1;
 FIG. 3 is a right side view of the tube securing device of FIG. 1;
 FIG. 4 is a front view of the tube securing device of FIG. 1;
 FIG. 5 is a left side view of the tube securing device of FIG. 1;
 FIG. 6 is a rear view of the tube securing device of FIG. 1;
 FIG. 7 is a top view of the tube securing device of FIG. 1; and
 FIG. 8 is a bottom view of the tube securing device of FIG. 1.

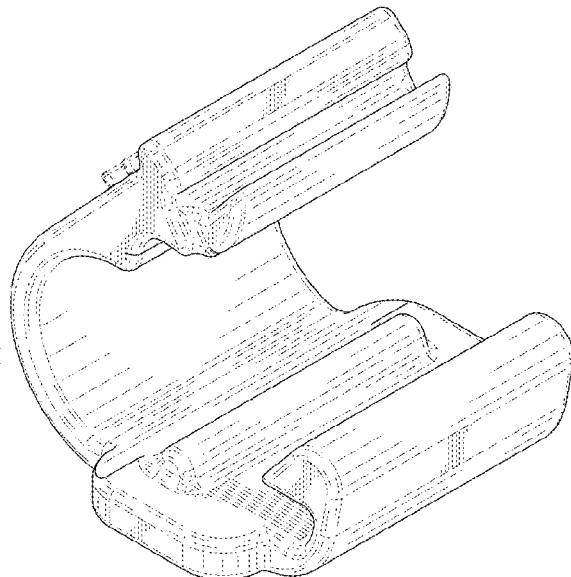
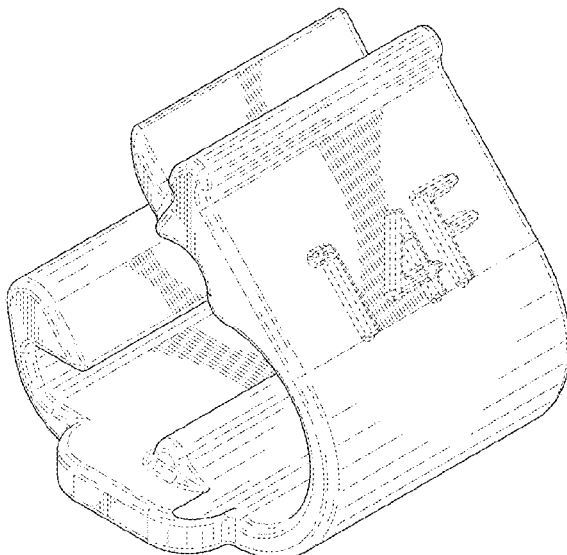
The broken lines depicted in FIGS. 1-8 represent unclaimed portions of the tube securing device and form no part of the claimed design.

1 Claim, 8 Drawing Sheets

(56) **References Cited**

U.S. PATENT DOCUMENTS

D270,329 S *	8/1983	Hardy	D8/356
D273,762 S *	5/1984	Sakaguchi	D8/394
4,609,171 A *	9/1986	Matsui	H02G 3/32
			248/316.1
4,779,828 A *	10/1988	Munch	F16L 3/12
			24/339
D323,390 S *	1/1992	Paine	D24/129



(56)

References Cited

U.S. PATENT DOCUMENTS

D884,885	S	*	5/2020	Hu	D24/128
D890,924	S	*	7/2020	Godinez	D24/128
D921,887	S	*	6/2021	Hu	D24/143
D926,022	S	*	7/2021	Luhrmann	D8/356
D965,141	S	*	9/2022	Oldfield	D24/127
D965,775	S	*	10/2022	Dmitriev	D24/129
D976,690	S	*	1/2023	Peng	D8/367
D982,417	S	*	4/2023	Johnson	D8/356

* cited by examiner

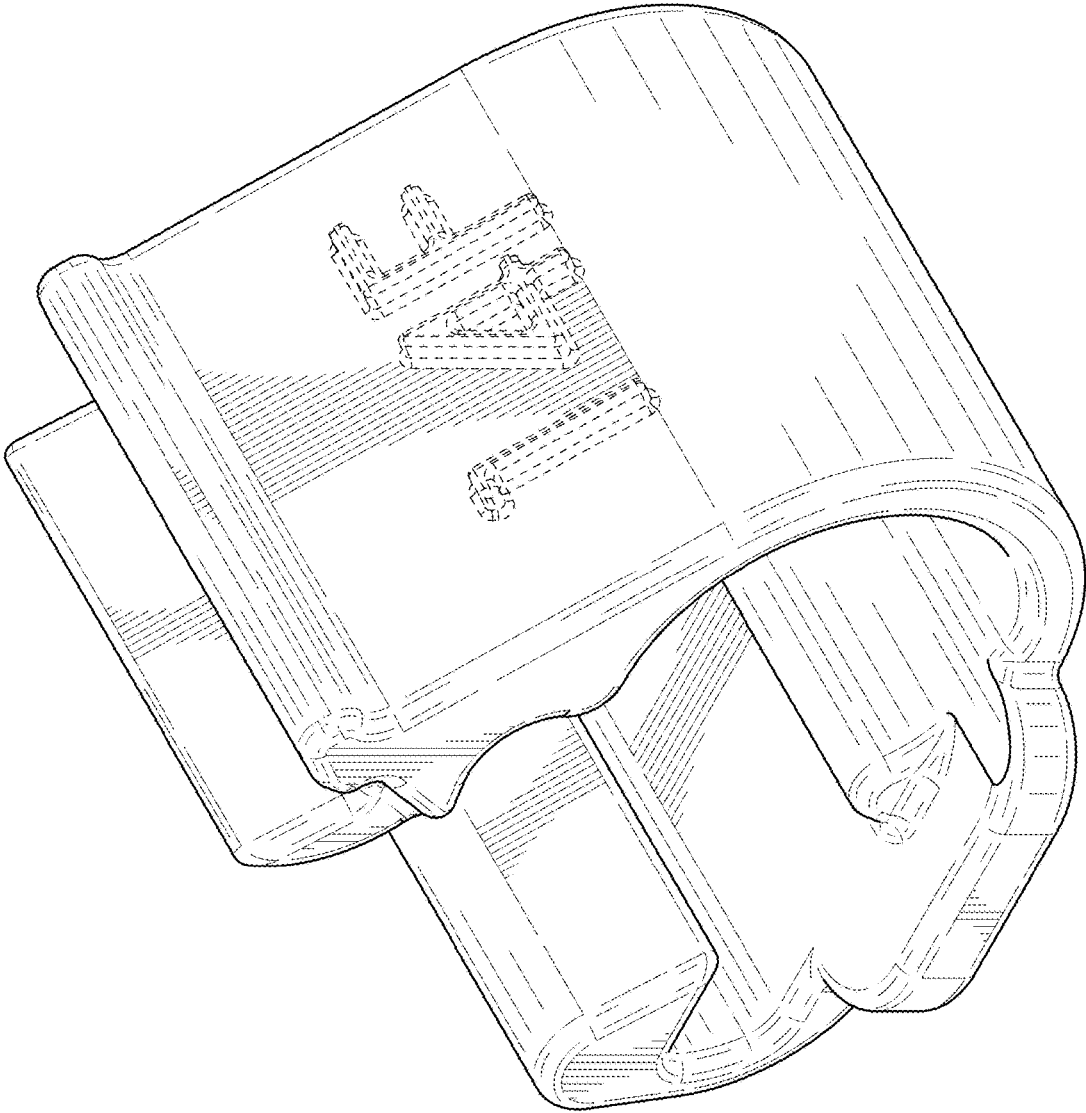


FIG. 1

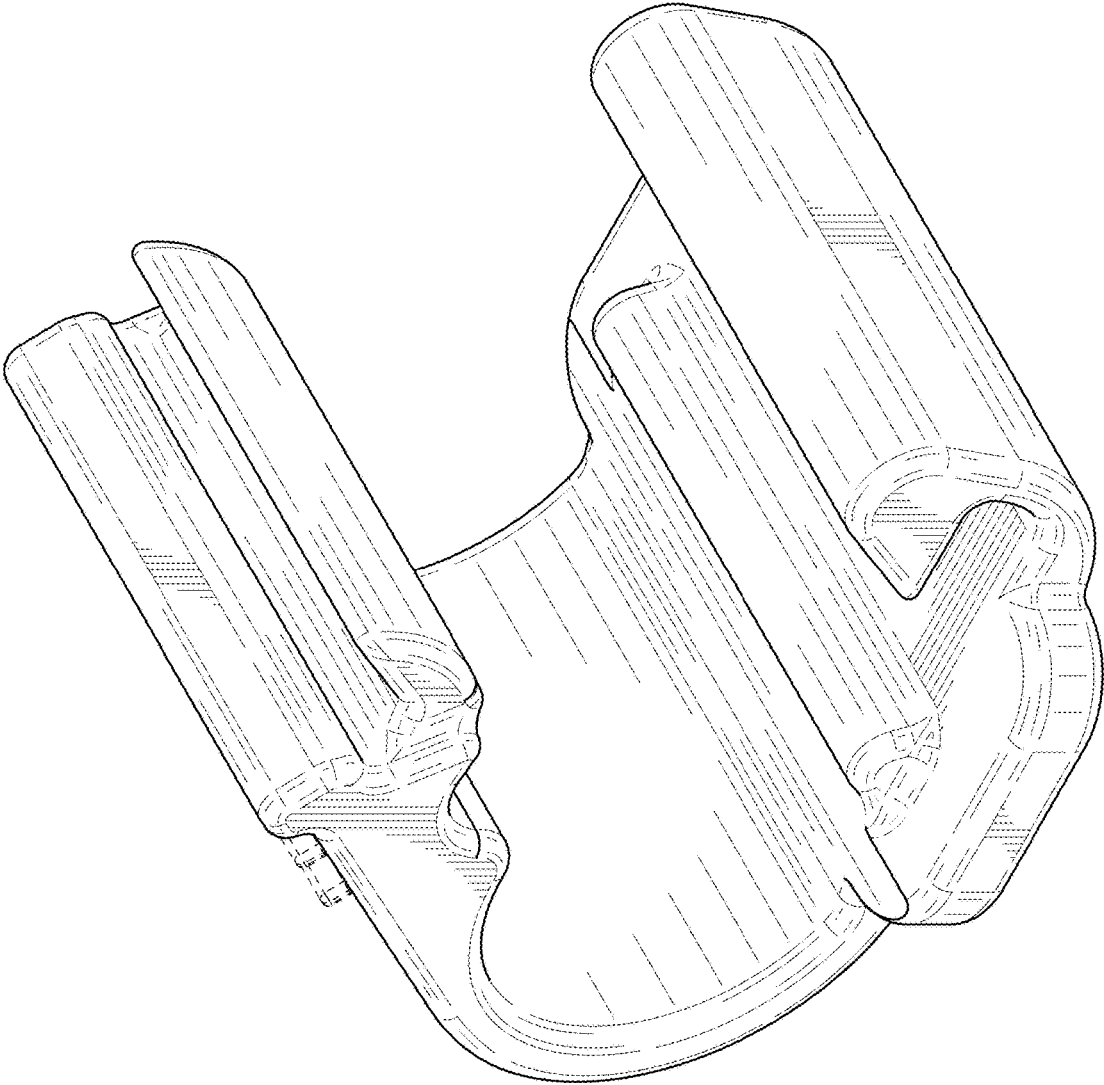


FIG. 2

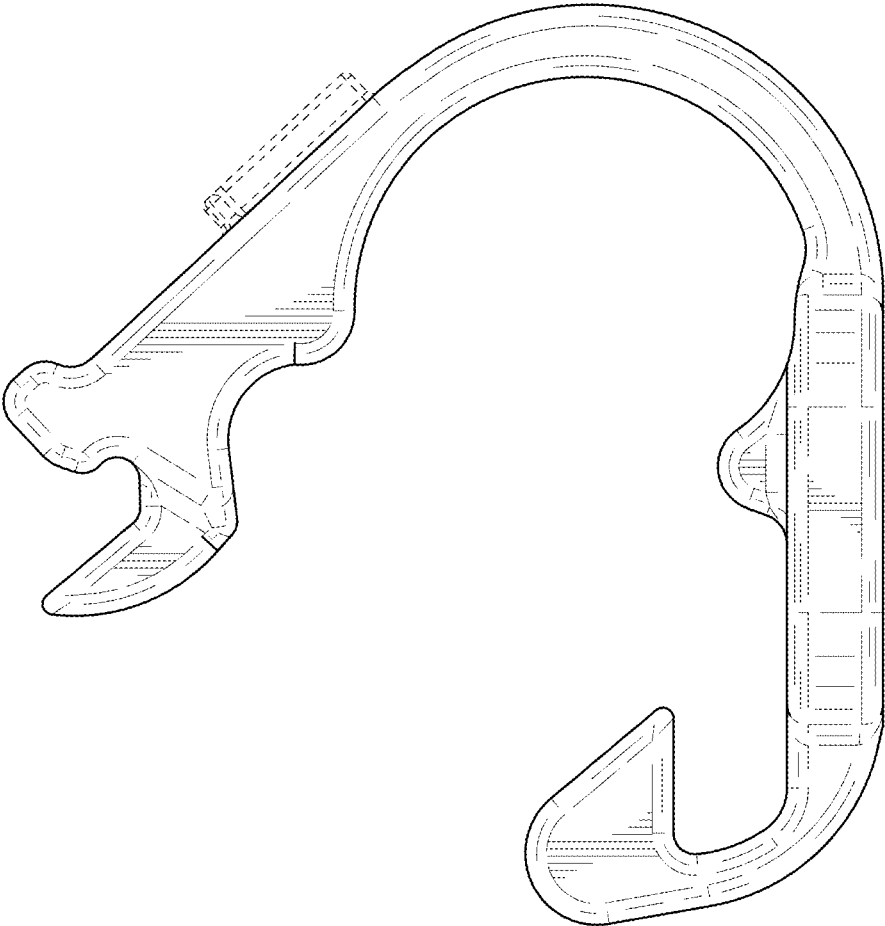


FIG. 3

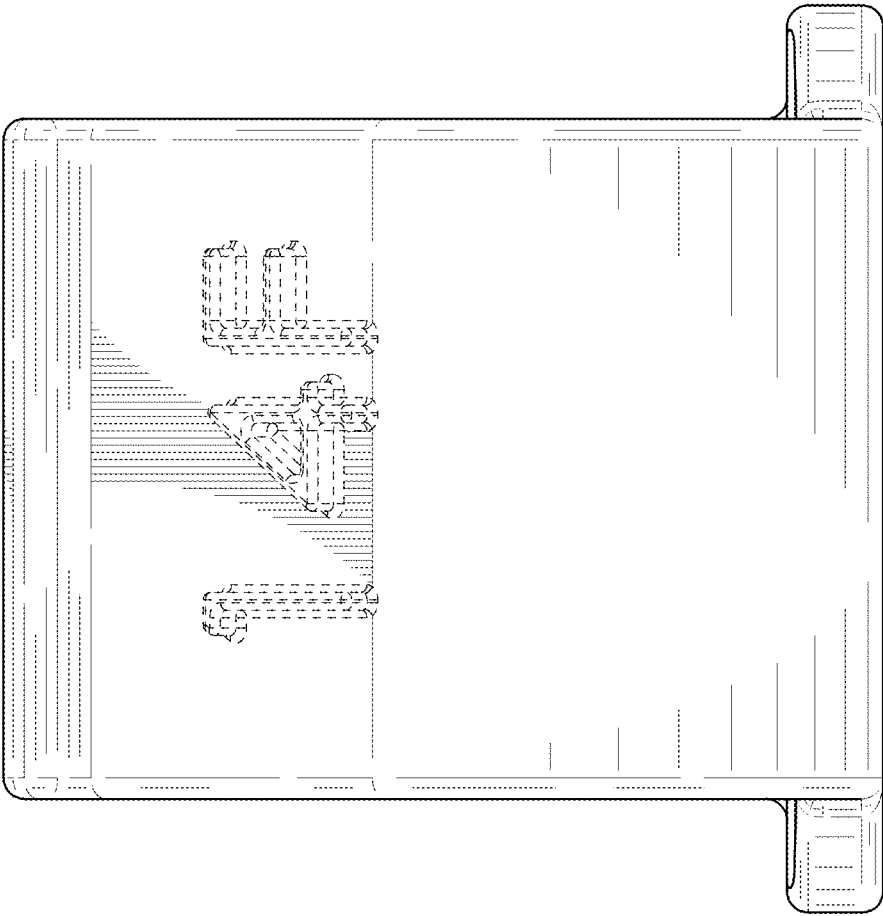


FIG. 4

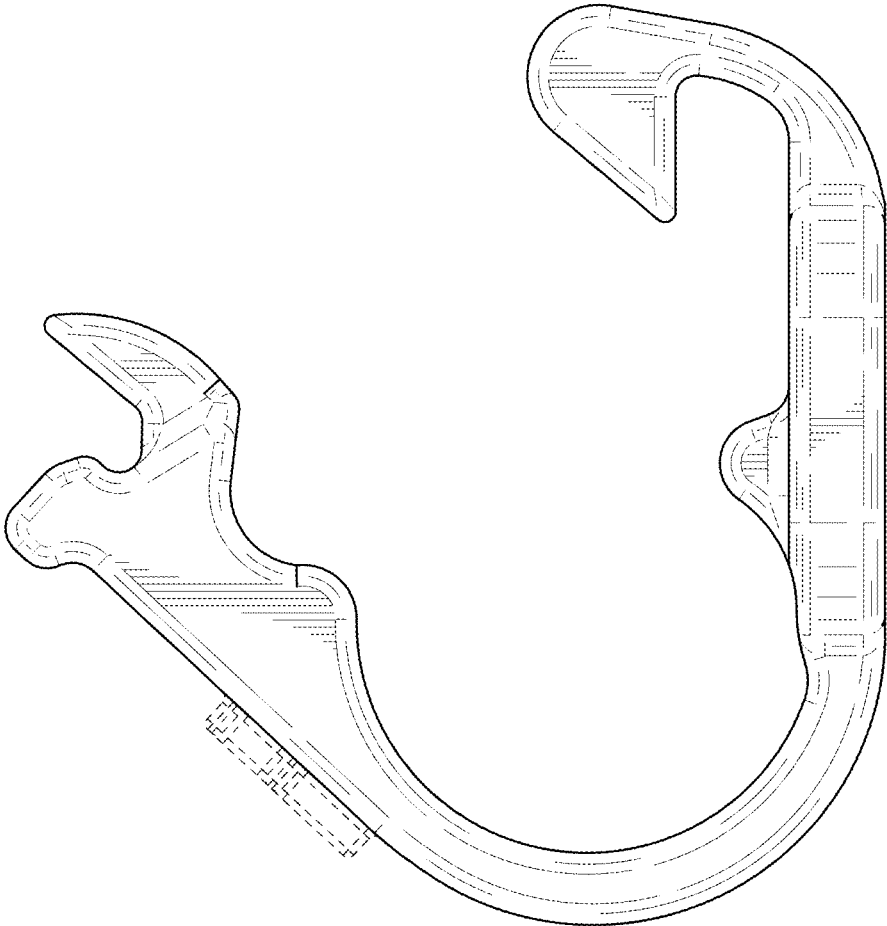


FIG. 5

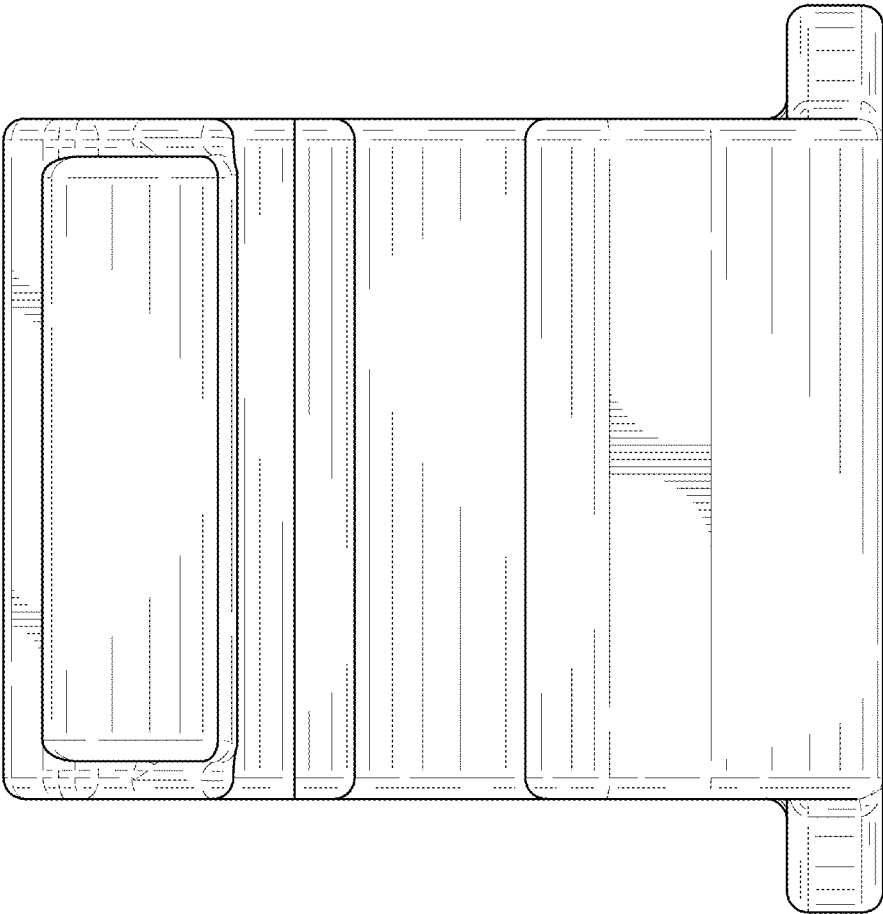


FIG. 6

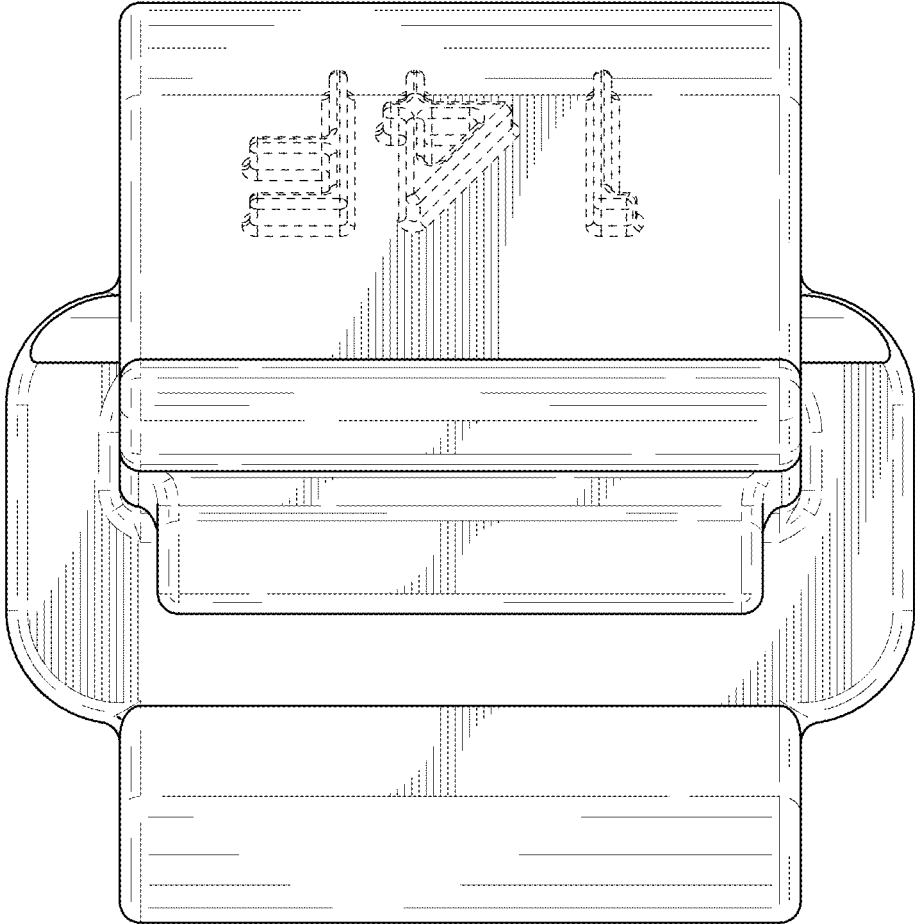


FIG. 7

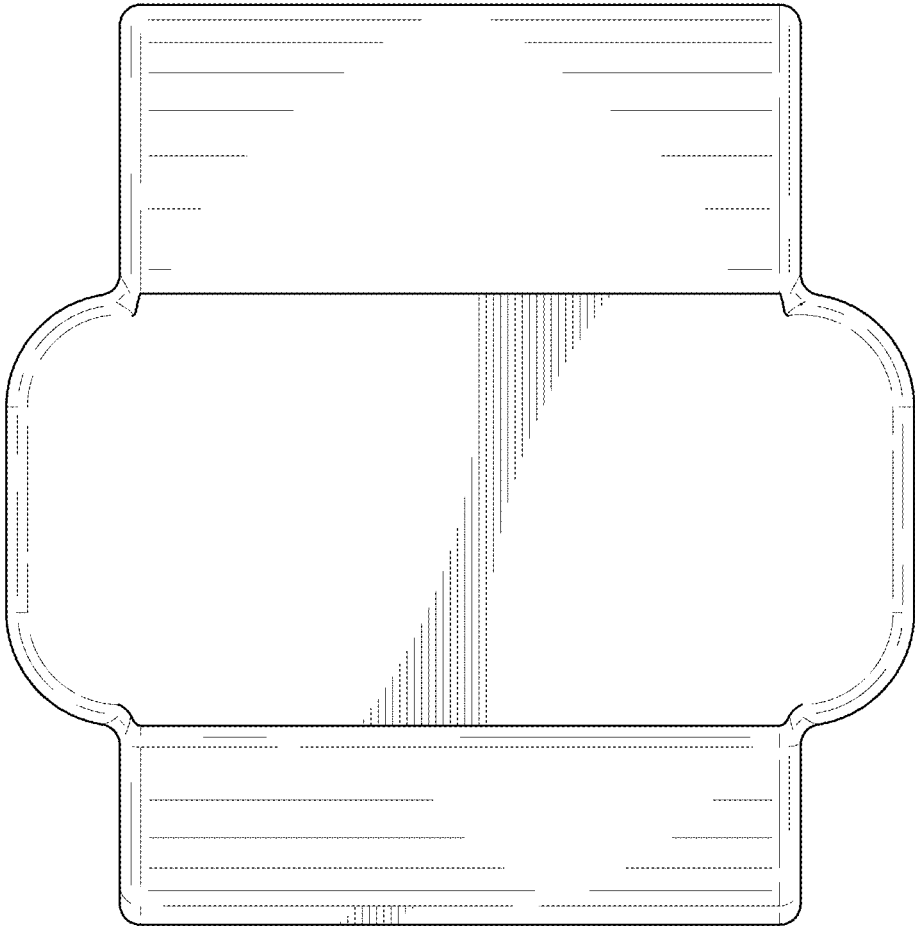


FIG. 8