



US00D427652S

United States Patent [19] Webber

[11] Patent Number: **Des. 427,652**
[45] Date of Patent: **** Jul. 4, 2000**

- [54] **EXERCISE BENCH**
- [76] Inventor: **Randall T. Webber**, 100 Harbor Dr.
#1404, San Diego, Calif. 92101
- [**] Term: **14 Years**
- [21] Appl. No.: **29/108,740**
- [22] Filed: **Aug. 3, 1999**
- [51] **LOC (7) Cl.** **21-02**
- [52] **U.S. Cl.** **D21/676; D21/690**
- [58] **Field of Search** D21/662, 673,
D21/674, 675, 676, 686, 690, 691; 482/92,
93, 104, 142, 134, 138

5,727,764 3/1998 Angeles 482/104
 5,882,283 3/1999 Stevens 482/104
 5,921,897 7/1999 Stevens 482/104

OTHER PUBLICATIONS

Parabody 866 Strength Building System brochure, 1995.
 Tuff Stuff Brochure, TWC-35 Wide Combo Bench and
 TID-45 Multi-Purpose Bench, date unknown.
 Tuff Stuff TWC-35 Assembly Instructions, date unknown.

Primary Examiner—Philip S. Hyder
Attorney, Agent, or Firm—Brown, Martin, Haller &
 McClain, LLP

[57] CLAIM

The ornamental design for an exercise bench, as shown.

[56] References Cited

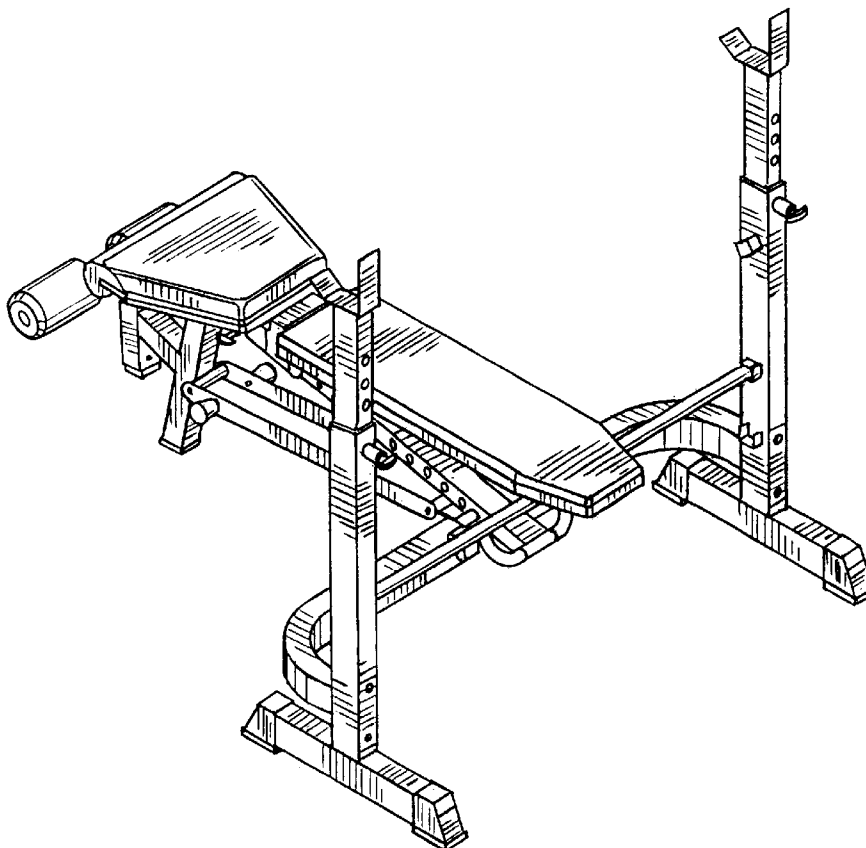
U.S. PATENT DOCUMENTS

D. 314,026	1/1991	Jennings	D21/676
D. 327,719	7/1992	Towley, III et al.	D21/690
D. 369,840	5/1996	Clem	D21/690
D. 384,116	9/1997	Brefka et al.	D21/676
D. 390,287	2/1998	Hsieh et al.	D21/676
D. 390,895	2/1998	Brefka et al.	D21/676
D. 399,543	10/1998	Stevens	D21/676
4,369,966	1/1983	Silberman et al.	482/104
4,634,127	1/1987	Rockwell	.	
4,826,157	5/1989	Fitzpatrick	.	
4,861,025	8/1989	Rockwell	482/104
4,974,839	12/1990	Cantor	482/104

DESCRIPTION

FIG. 1 is a rear perspective view of an exercise bench showing my new design;
 FIG. 2 is a front perspective view thereof;
 FIG. 3 is a top plan view thereof;
 FIG. 4 is a side elevational view thereof;
 FIG. 5 is a side elevational view in a different position; and,
 FIG. 6 is a side elevational view in a folded position.
 The areas of the exercise bench which are not disclosed in the drawings, form no part of the claimed design.

1 Claim, 3 Drawing Sheets



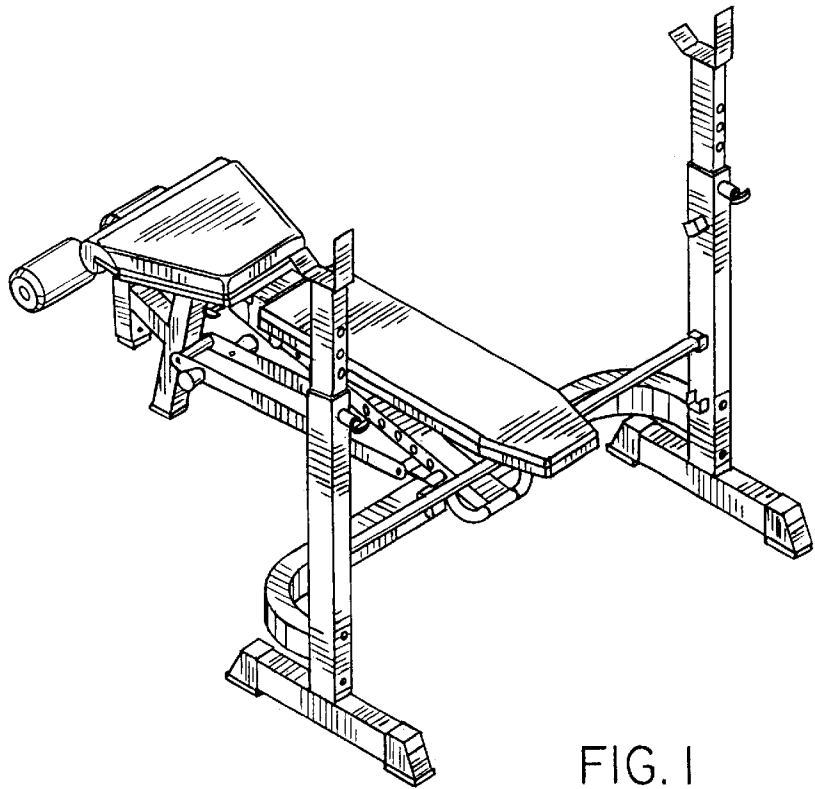


FIG. 1

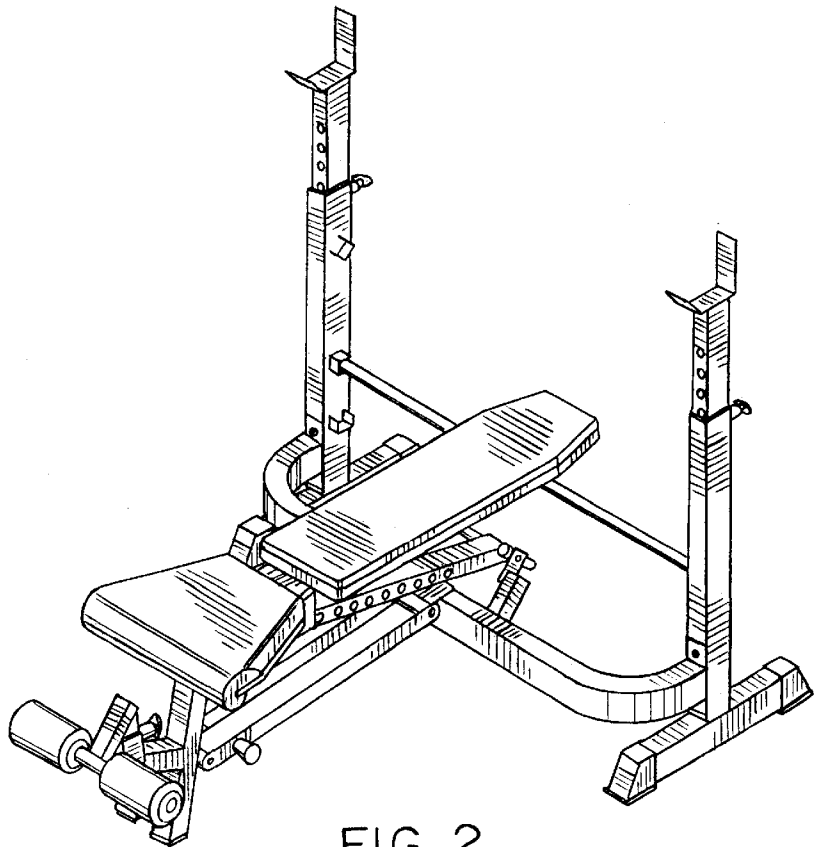


FIG. 2

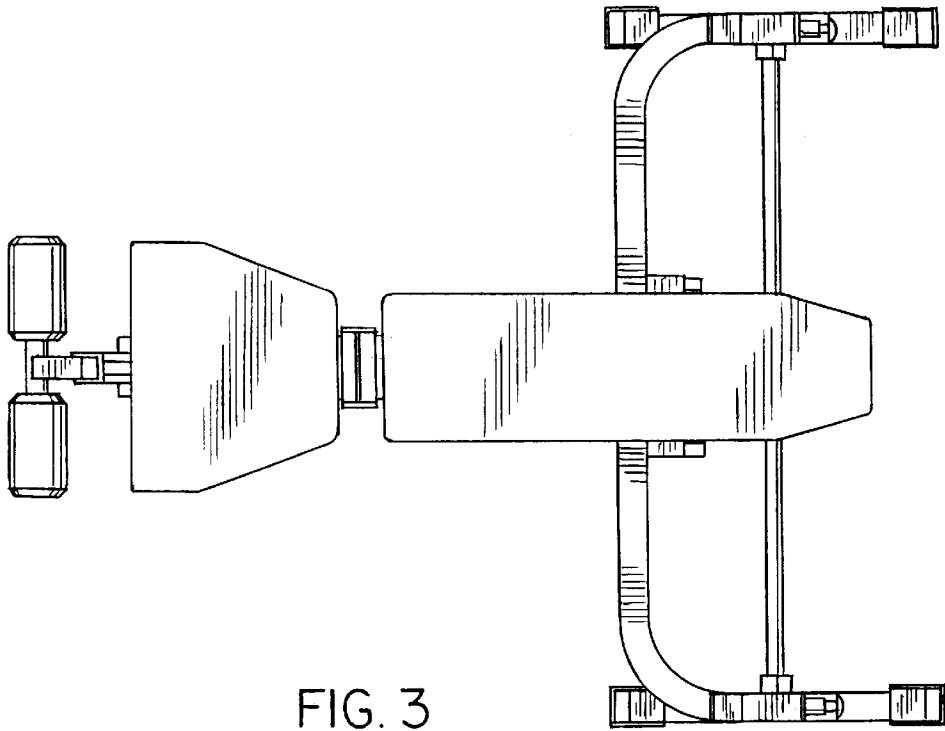


FIG. 3

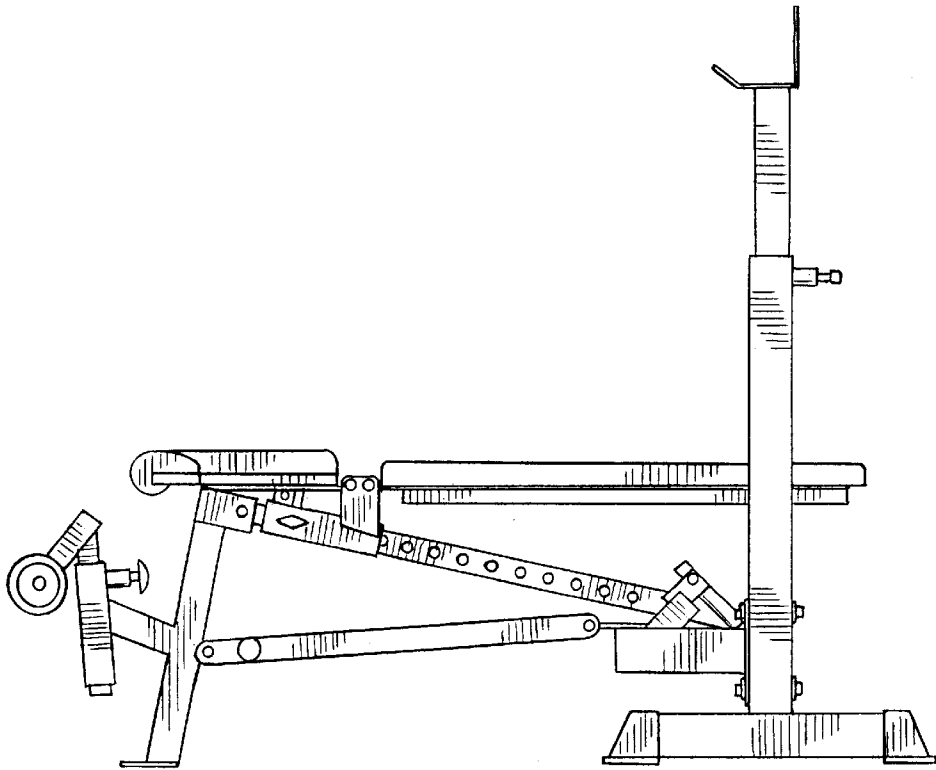


FIG. 4

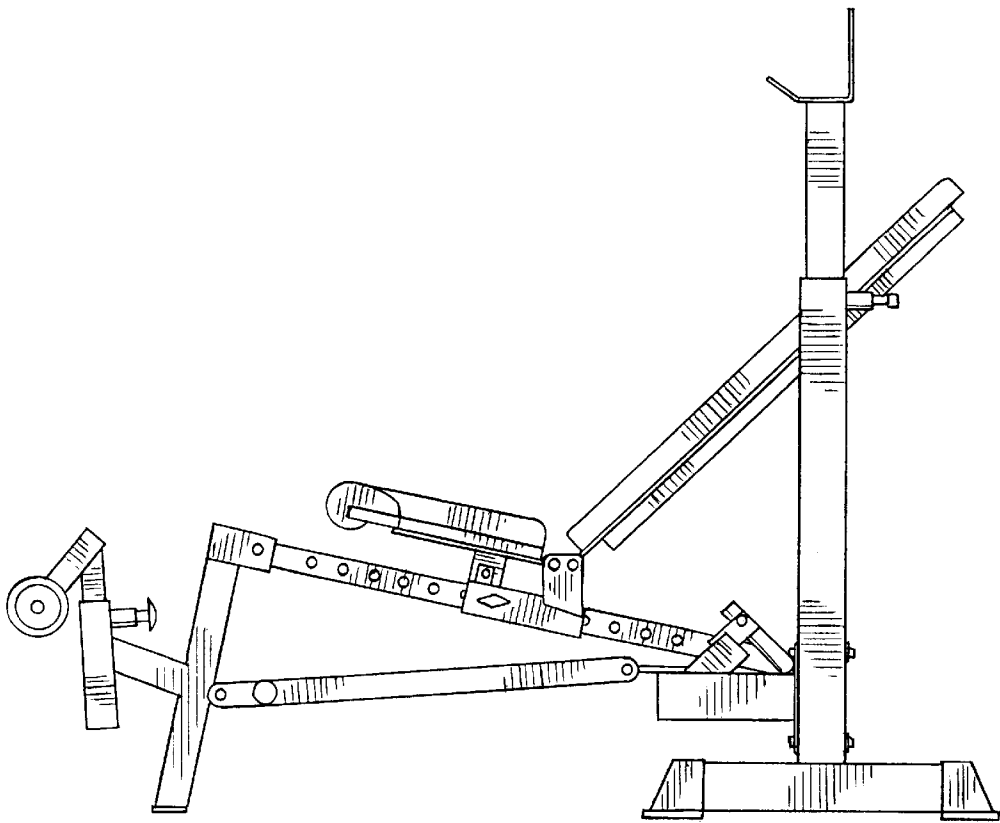


FIG. 5

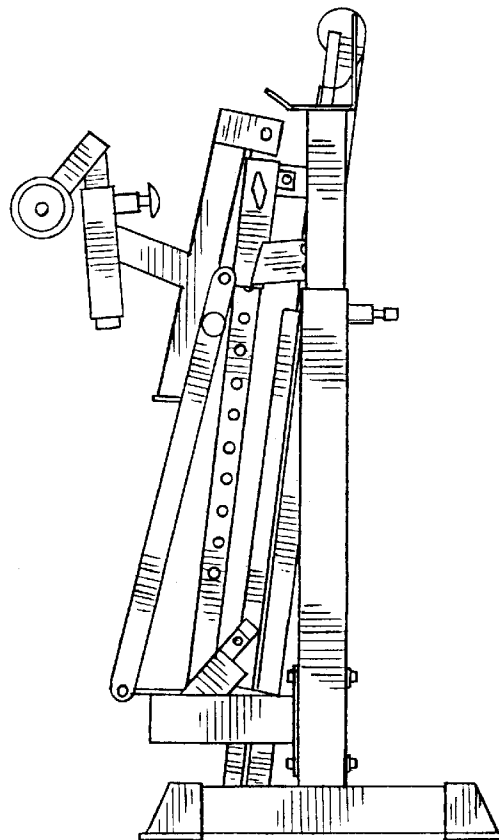


FIG. 6