



US00D952628S

(12) **United States Design Patent**
DiLoreto

(10) **Patent No.:** **US D952,628 S**

(45) **Date of Patent:** **** May 24, 2022**

(54) **PORTABLE INFORMATION HANDLING SYSTEM**

FOREIGN PATENT DOCUMENTS

(71) Applicant: **Dell Products L.P.**, Round Rock, TX (US)

WO D201861-003 7/2019
WO D203798-001 11/2019

(72) Inventor: **Nicholas G. DiLoreto**, Georgetown, TX (US)

OTHER PUBLICATIONS

(73) Assignee: **Dell Products L.P.**, Round Rock, TX (US)

Hayward, Andrew, Dell XPS 13 (9370) Review, posted at Lifewire, posting date Dec. 23, 2019. Site visited Oct. 22, 2021. URL: <<https://www.lifewire.com/dell-xps-13-9370-review-4779836>> (Year: 2019).*

(**) Term: **15 Years**

(Continued)

(21) Appl. No.: **29/712,385**

Primary Examiner — Kathleen L Jones

(22) Filed: **Nov. 7, 2019**

(74) *Attorney, Agent, or Firm* — Zagorin Cave LLP;
Robert W. Holland

(51) **LOC (13) Cl.** **14-02**

(57) **CLAIM**

(52) **U.S. Cl.**

I claim the ornamental design for a portable information handling system, as shown and described.

USPC **D14/327**

(58) **Field of Classification Search**

DESCRIPTION

USPC D14/315–328, 432, 447; D18/1, 4.3, 7, D18/12.2–12.3
CPC G06F 1/166; G06F 1/1613; G06F 1/1616; G06F 1/1618; G06F 1/162; G06F 1/1622; G06F 1/1624; G06F 1/1628; G06F 1/1633; G06F 1/1615; G06F 1/1643; G06F 1/1654; G06F 1/1669; G06F 1/203; G06F 1/1688

FIG. 1 is a front perspective view of the portable information handling system comprising the present invention; FIG. 2 is a front elevation view thereof; FIG. 3 is a rear elevation view thereof; FIG. 4 is a right side view thereof; FIG. 5 is a left side view thereof; FIG. 6 is a top view thereof; FIG. 7 is a bottom view thereof; FIG. 8 is a front perspective view thereof in an open position; FIG. 9 is a rear bottom perspective view thereof in an open position; and, FIG. 10 is a rear bottom perspective view thereof in a closed position.

See application file for complete search history.

Broken lines shown in the drawings illustrate portions of the portable information handling system, and form no part of the claimed design.

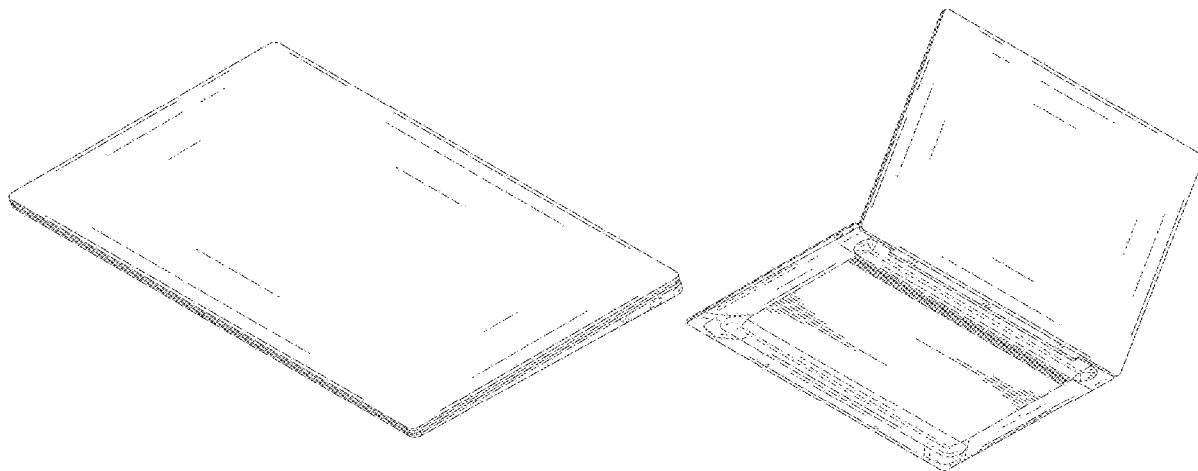
(56) **References Cited**

U.S. PATENT DOCUMENTS

D461,470 S 8/2002 Kawa
D602,484 S 10/2009 Cai
D614,180 S 4/2010 Gou
D664,536 S 7/2012 Lee et al.
D671,936 S 12/2012 Fong et al.
D683,344 S 5/2013 Kao et al.
8,891,231 B2 11/2014 Okuley et al.
D724,077 S * 3/2015 Hallar D14/327

(Continued)

1 Claim, 8 Drawing Sheets



(56)

References Cited

U.S. PATENT DOCUMENTS

D725,648	S	3/2015	Chang et al.	
D743,958	S	11/2015	Goh et al.	
D746,809	S	1/2016	Takada et al.	
D756,350	S	5/2016	Sun et al.	
D756,351	S	5/2016	Sun et al.	
D758,360	S *	6/2016	Lyles	D14/315
D762,638	S	8/2016	Chang et al.	
D770,442	S *	11/2016	Tu	D14/315
D781,282	S	3/2017	Hsu et al.	
D789,353	S	6/2017	Sakatsume	
D802,584	S	11/2017	Kong	
D813,859	S	3/2018	Oakley	
D813,861	S	3/2018	Goh et al.	
D829,710	S	10/2018	Seoc et al.	
D835,095	S	12/2018	Goh et al.	
D864,948	S	10/2019	Yoshida et al.	
10,429,885	B1 *	10/2019	Shaw	G06F 1/1618
D865,756	S	11/2019	Moon	
D871,393	S	12/2019	Moon	
D880,473	S	4/2020	Moon	
D890,167	S	7/2020	Moon	
D890,747	S *	7/2020	Lee	D14/315
10,705,564	B2	7/2020	Abe	
D895,609	S	9/2020	Berry et al.	
10,809,763	B2	10/2020	Abe	
D904,395	S	12/2020	Reed et al.	
D912,661	S *	3/2021	Goh	D14/315
D914,669	S *	3/2021	Lim	D14/315
D915,396	S	4/2021	Sheu et al.	
D917,461	S	4/2021	DiLoreto et al.	
D928,143	S *	8/2021	Yeom	D14/315
D931,274	S *	9/2021	Hwang	D14/315
2016/0062484	A1	3/2016	Sugiura	
2020/0174529	A1	6/2020	Goh et al.	

OTHER PUBLICATIONS

Newman, Heather, Dell XPS, G Series and Alienware Reivews, posted at Forbes, posting date Sep. 1, 2019. Site visited Oct. 22,

2021. URL: <<https://www.forbes.com/sites/hnewman/2019/09/01/dell-xps-g-series-and-alienware-reviews-how-to-choose-among-dells-laptop-lines/?sh=1a007f01277f>> (Year: 2019).*

Gough, Owen, The best laptops 2019: The greatest devices for every buyer, posted at Cosmopolitan, posting date Oct. 18, 2019. Site visited Oct. 22, 2021. URL: <<https://www.cosmopolitan.com/uk/entertainment/g29510140/best-laptops-deals/>> (Year: 2019).*

Dell, "Inspiron15 Laptop," Dell, dell.com, author unlisted, published on May 9, 2021 per wayback machine © 2021 Dell, online, site visited Jun. 8, 2021. Available from Internet, URL: <https://www.dell.com/en-us/shop/dell-laptops/inspiron-15-laptop-spd/inspiron-15-5502-laptop> (Year: 2021).

Vane, Michael, "ASUS ZenBook 14 UX431F Review: An Impressively Slim All-Rounder," Manofmany, URL: <https://manofmany.com/tech/computers/asus-zenbook-14-ux431f-review-an-impressively-slim-all-rounder>, Jul. 29, 2019, 10 pages.

Brant, Tom, "Hands On: Samsung's Galaxy Book Ion, the First QLED-Screen Laptop," <https://medium.com/pcmag-access/hands-on-samsungs-galaxy-book-ion-the-first-qled-screen-laptop-4b5fbd28ed60>, Oct. 30, 2019, 16 pages.

USPTO Form 892 from related U.S. Appl. No. 29/723,514, mailed with NOA on Jun. 23, 2021 (2 pages).

Warren, T., "Asus beats Acer to the 'world's lightest 14-inch laptop' crown," The Verge, Sep. 4, 2019, 3 pages.

Amazon, "AUSU TUF Gaming F17 Gaming Laptop," first available Mar. 21, 2021, amazon.com, [online], [site visited 026/16/2021], Available from internet URL: https://www.amazon.com/ASUS-IPS-Type-i5-10300H-KeyBoard-FX706LI-ES53/dp/B08ZLC661T/ref=sr_1_10?dchild=1&keywords=laptop&qid=16238%E2%80%A6 (Year:2021) 9 pages.

Dell, "New Inspiron 15 Touch Laptop," dell.com, [online], [site visited Feb. 6, 2021], Available from internet URL:<https://deals.dell.com/en-us/productdetail/988x> (Year: 2021) 16 pages.

* cited by examiner

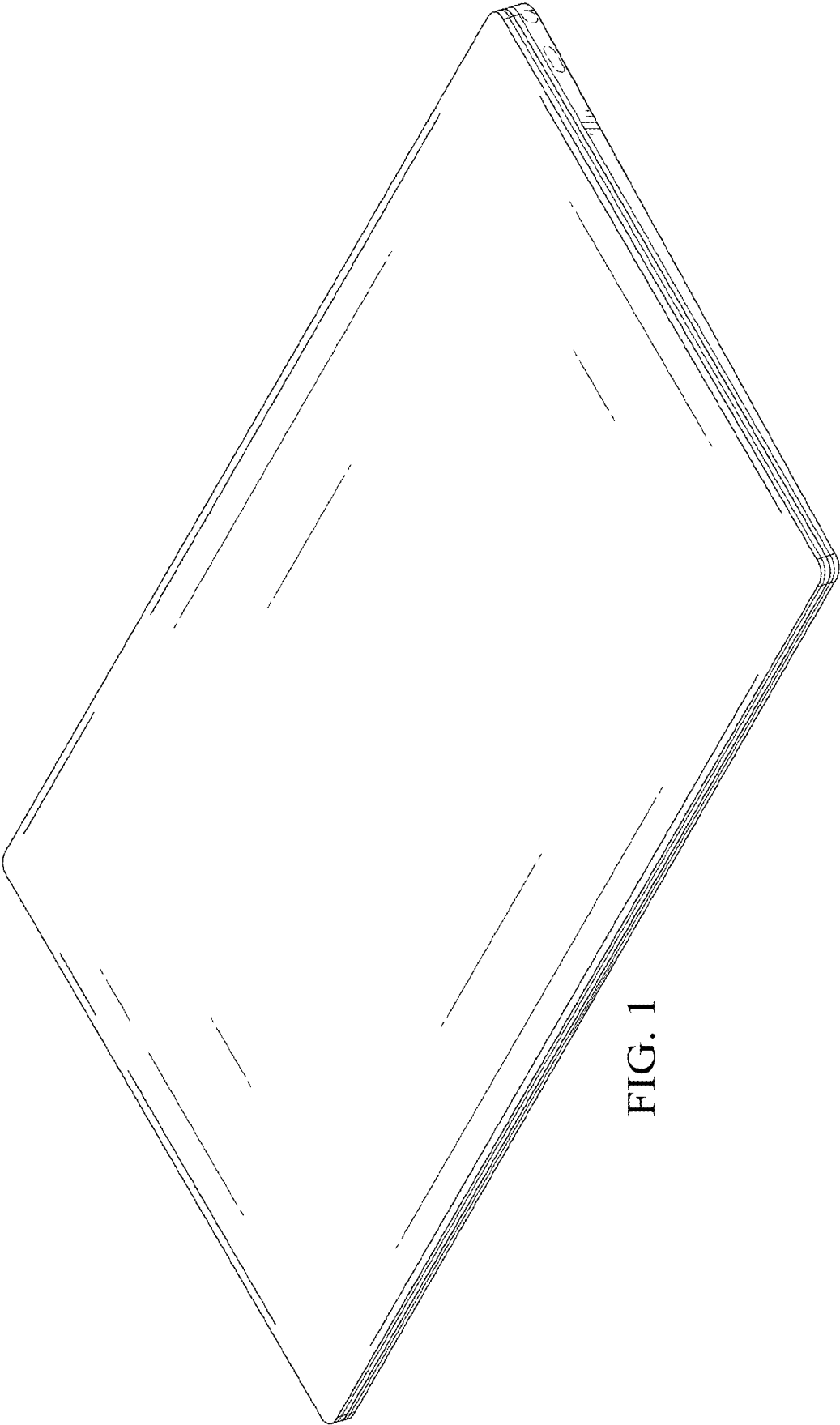


FIG. 1

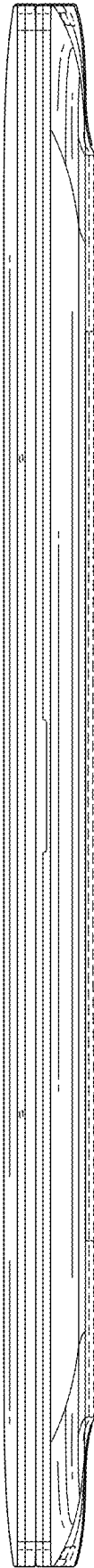


FIG. 2



FIG. 3

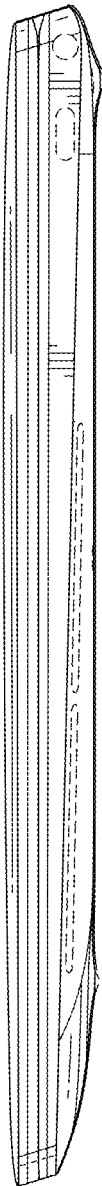


FIG. 4

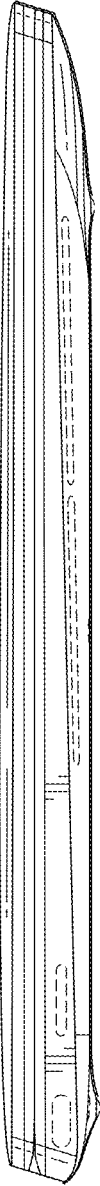


FIG. 5

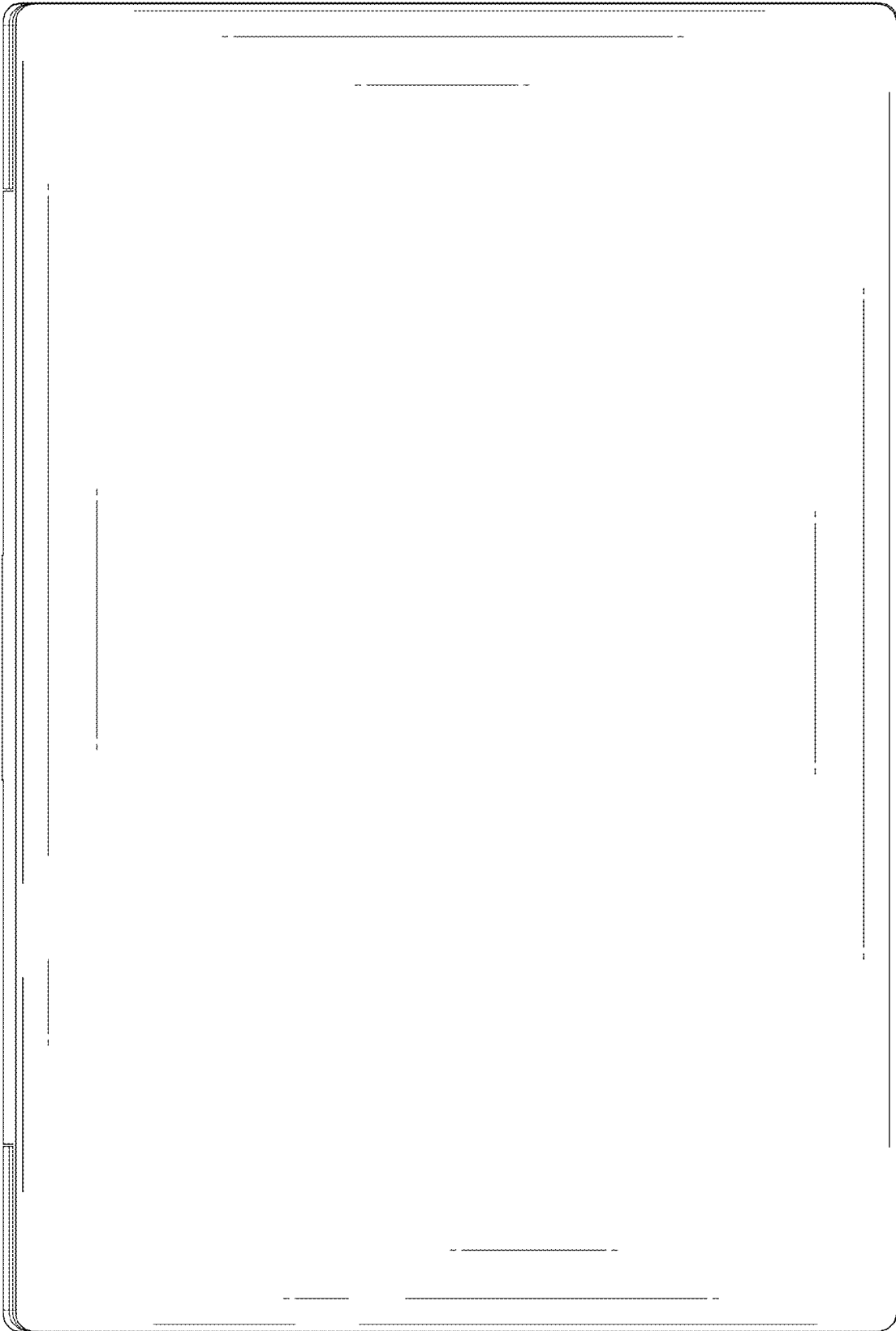


FIG. 6

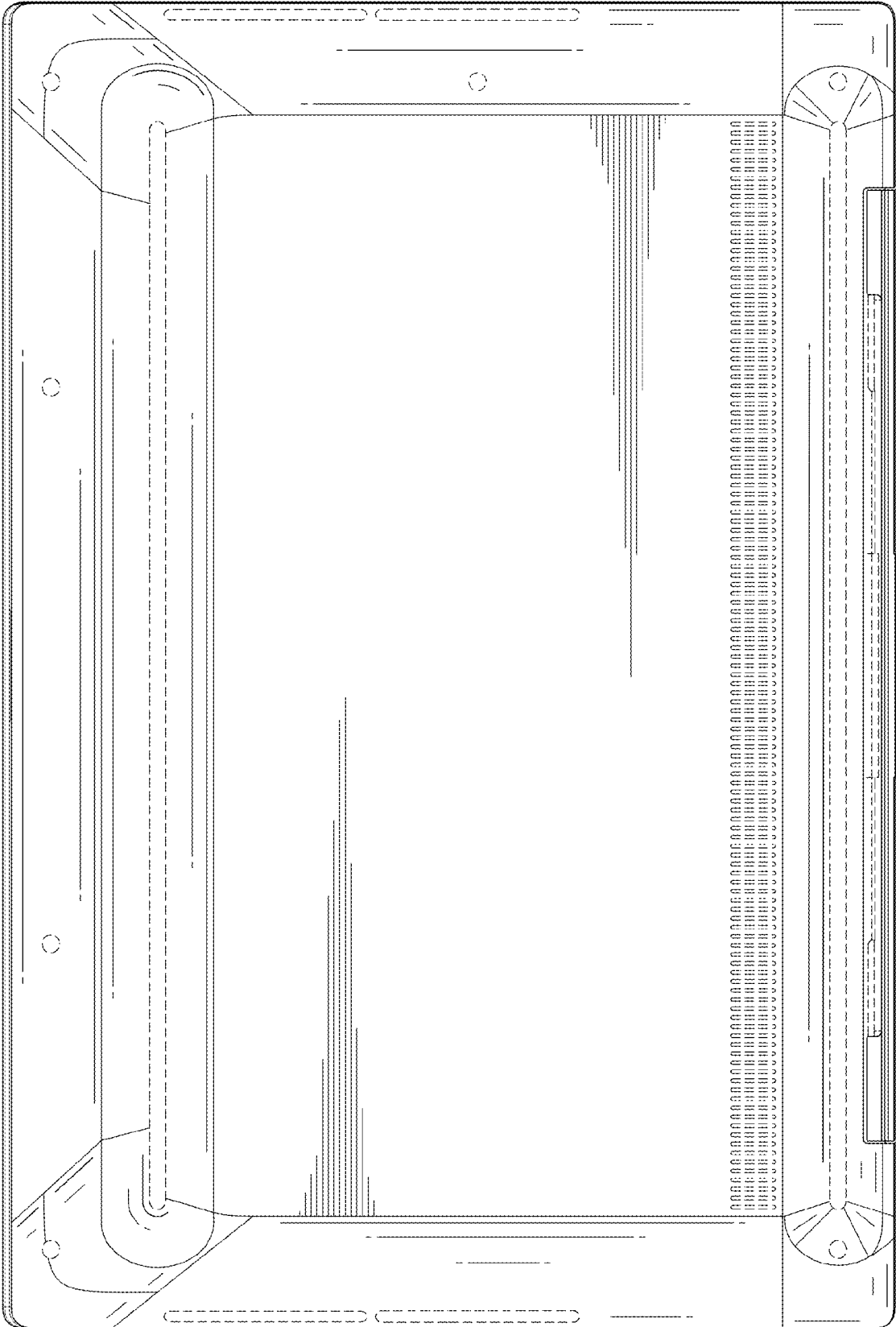


FIG. 7

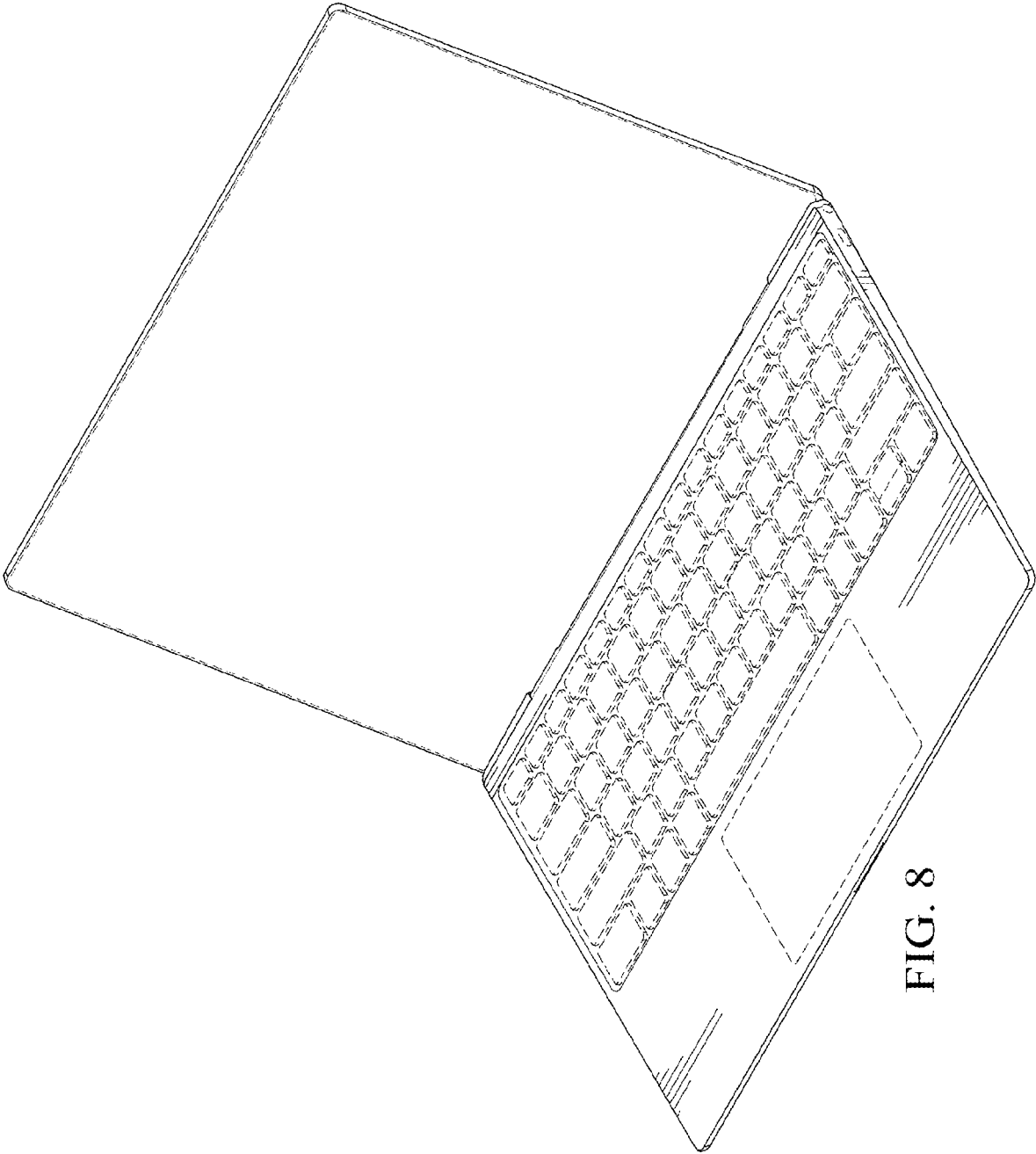


FIG. 8

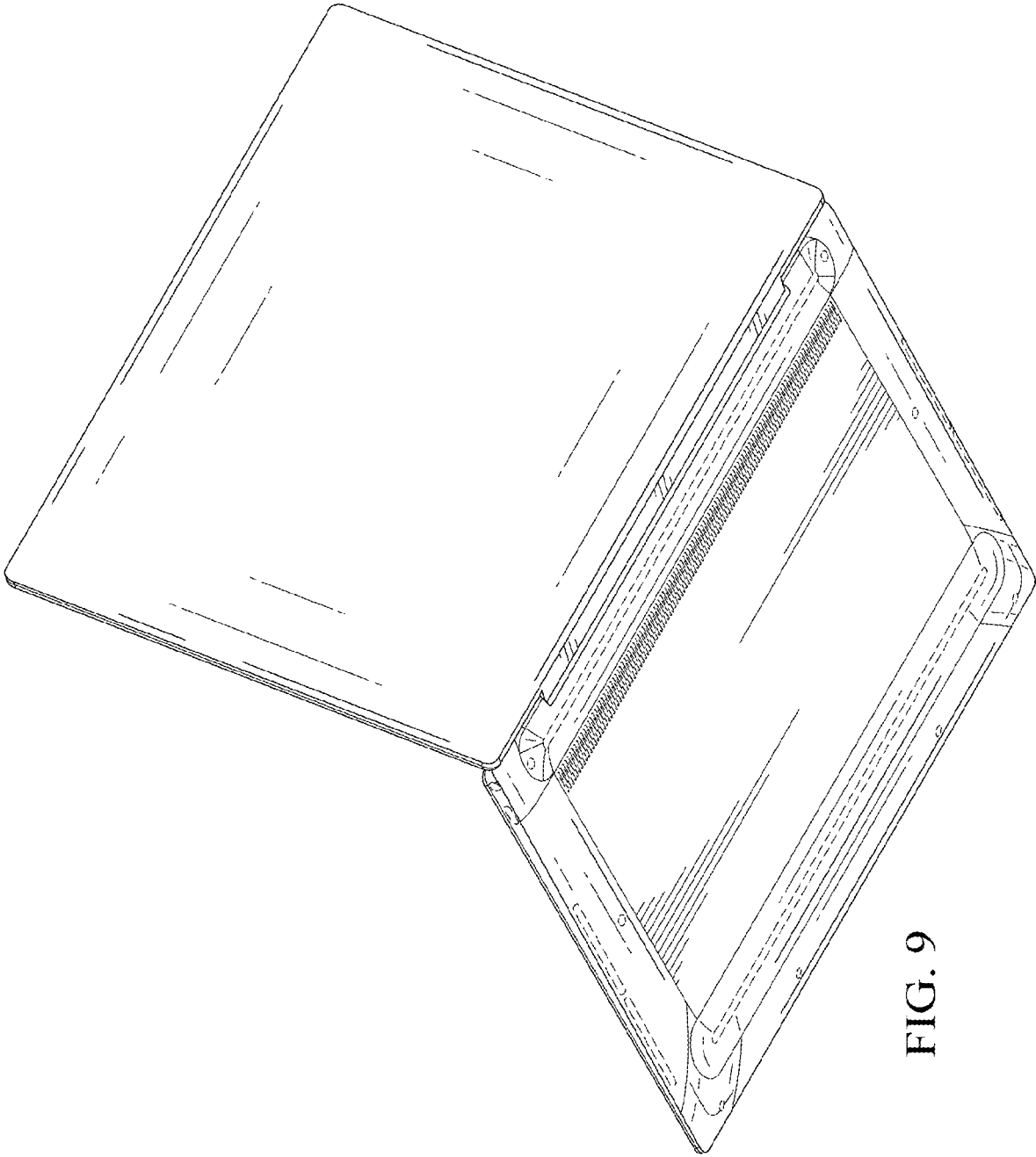


FIG. 9

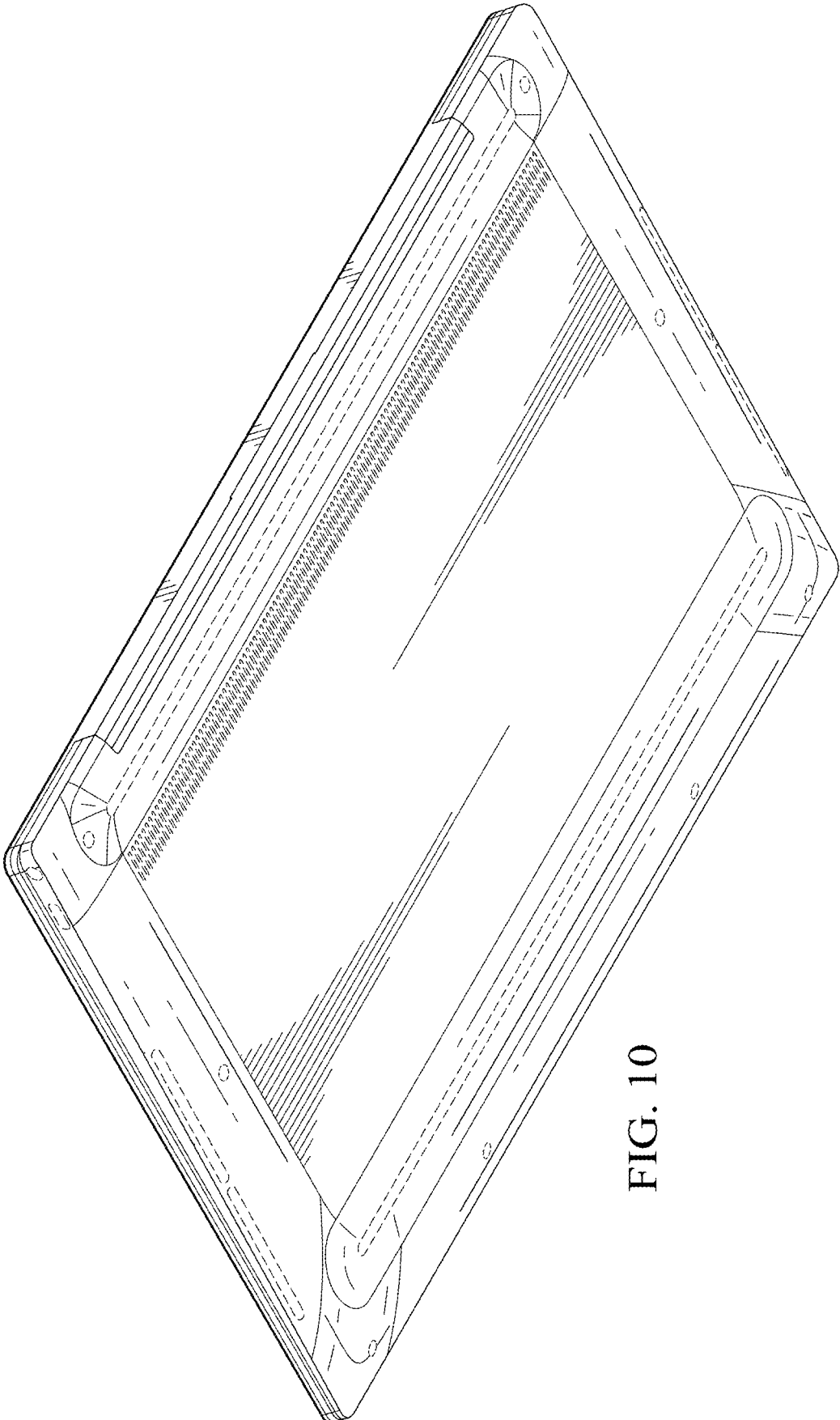


FIG. 10