



US0D1035926S

(12) **United States Design Patent**
Anderson

(10) **Patent No.:** **US D1,035,926 S**

(45) **Date of Patent:** **** Jul. 16, 2024**

(54) **LAWN APPARATUS**

(71) Applicant: **VERTEDGE LTD**, London (GB)

(72) Inventor: **Dean Anderson**, Essex (GB)

(73) Assignee: **VERTEDGE LTD** (GB)

(**) Term: **15 Years**

(21) Appl. No.: **29/749,456**

(22) Filed: **Sep. 4, 2020**

(51) **LOC (14) Cl.** **25-01**

(52) **U.S. Cl.**
USPC **D25/164**

(58) **Field of Classification Search**
USPC D25/102, 164
CPC E01C 11/22; E01C 11/221; E01C 11/222
See application file for complete search history.

(56) **References Cited**

U.S. PATENT DOCUMENTS

D385,050 S * 10/1997 Gay D25/164
D400,985 S * 11/1998 Risi D25/164
D773,074 S * 11/2016 Amrine D25/164

D797,320 S * 9/2017 Amrine D25/164
D840,059 S * 2/2019 Sanders D25/164
D904,647 S * 12/2020 Amrine D25/164
D904,648 S * 12/2020 Amrine D25/164

* cited by examiner

Primary Examiner — Gino Colan
(74) *Attorney, Agent, or Firm* — Morris, Manning & Martin, LLP; Daniel E. Sineway, Esq.; Adam J. Thompson, Esq.

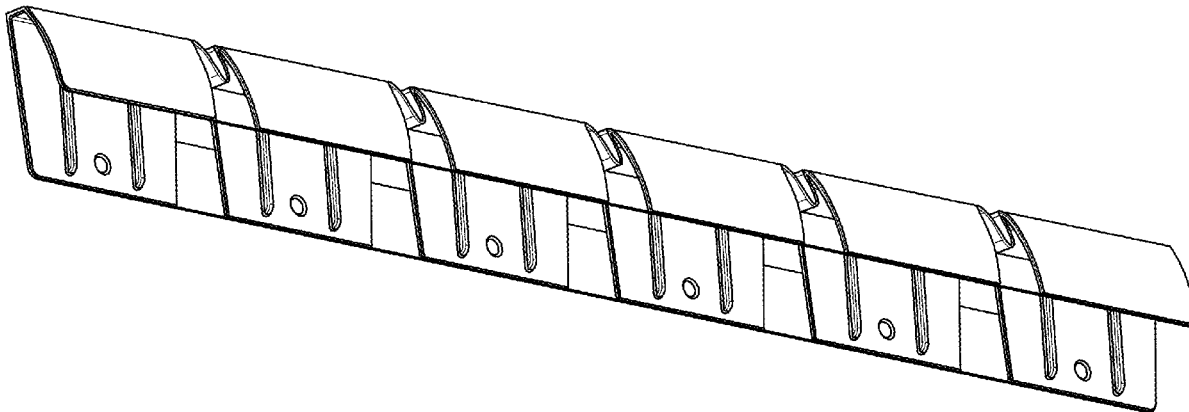
(57) **CLAIM**

The ornamental design for a lawn apparatus, as shown and described.

DESCRIPTION

FIG. 1 is a perspective view of a lawn apparatus showing my new design;
FIG. 2 is a top view thereof;
FIG. 3 is a bottom view thereof;
FIG. 4 is a left side view thereof;
FIG. 5 is a right side view thereof;
FIG. 6 is a front view thereof; and,
FIG. 7 is a back view thereof.
The broken lines shown in the drawings illustrate portions of the lawn apparatus that form no part of the claimed design.

1 Claim, 5 Drawing Sheets



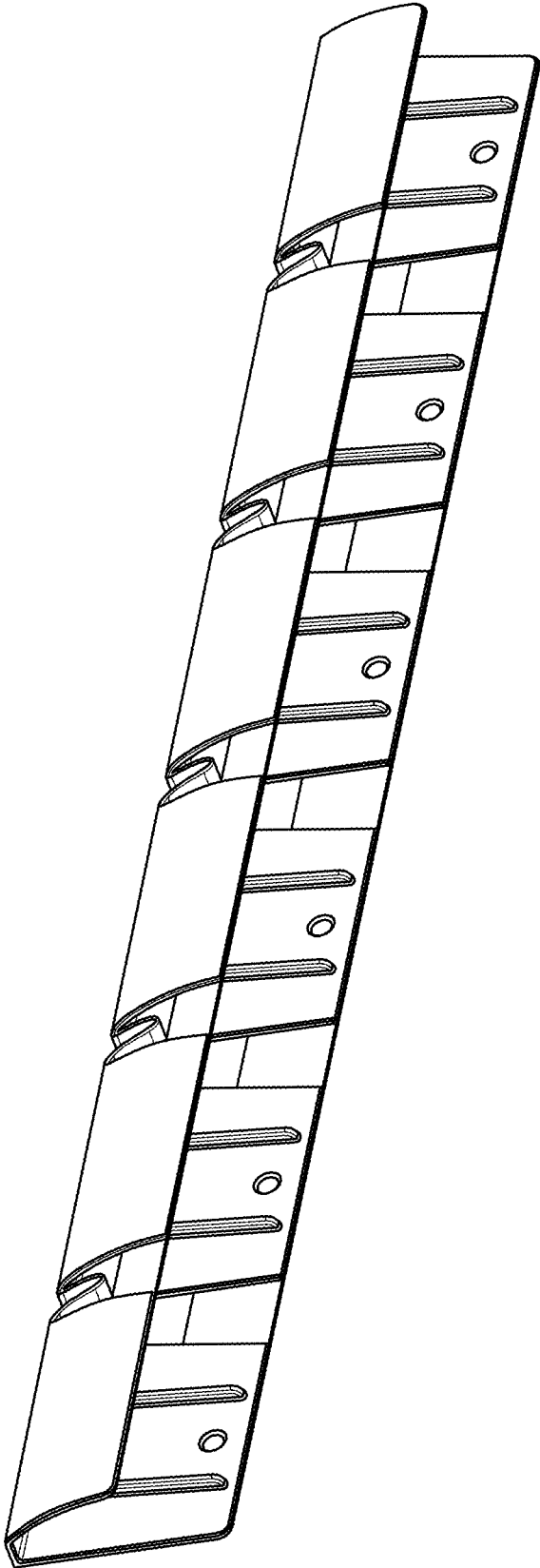


FIG. 1

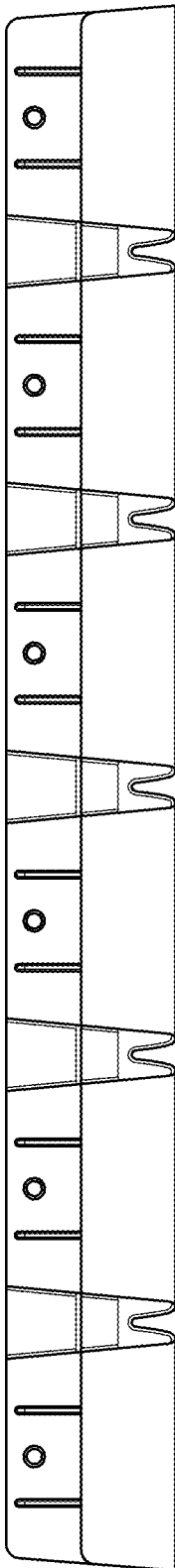


FIG. 2

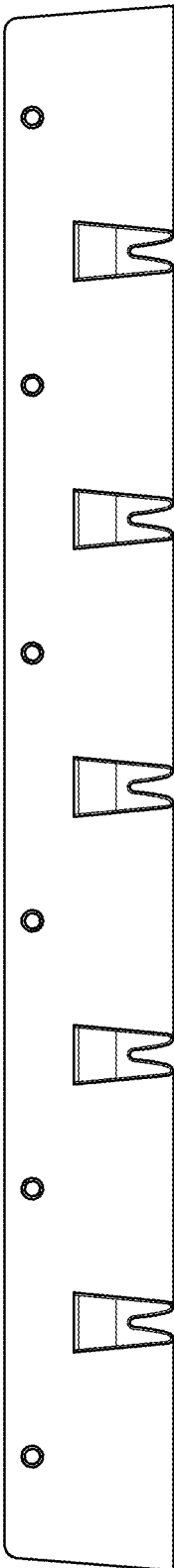


FIG. 3



FIG. 4



FIG. 5

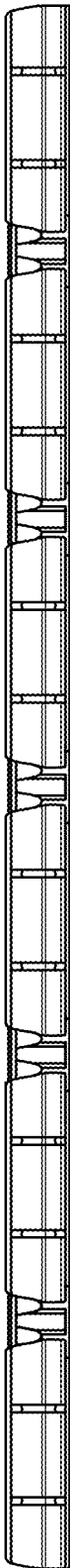


FIG. 6



FIG. 7