



US00D830366S

(12) **United States Design Patent**
Turksu et al.

(10) **Patent No.:** **US D830,366 S**

(45) **Date of Patent:** **** Oct. 9, 2018**

(54) **MULTIPOINT USB HUB FOR COMPUTER**

(71) Applicant: **SARIANA, LLC**, San Diego, CA (US)

(72) Inventors: **Alan Turksu**, San Diego, CA (US);
Mustafa Burak Guclu, San Diego, CA (US)

(73) Assignee: **SARIANA, LLC**, San Diego, CA (US)

(**) Term: **15 Years**

(21) Appl. No.: **29/585,543**

(22) Filed: **Nov. 25, 2016**

(51) **LOC (11) Cl.** **14-02**

(52) **U.S. Cl.**
USPC **D14/433**

(58) **Field of Classification Search**
USPC D14/432, 433, 358
CPC H01M 10/44
See application file for complete search history.

(56) **References Cited**

U.S. PATENT DOCUMENTS

D361,987 S	9/1995	Yamazaki	
D369,149 S	4/1996	Chang et al.	
D405,064 S	2/1999	Iino	
D413,574 S *	9/1999	Goto	D13/146
D430,882 S	9/2000	Tsai	
6,321,340 B1	11/2001	Shin et al.	
D464,972 S	10/2002	Carrasco, Jr.	
D522,531 S	6/2006	Solomon et al.	
D560,165 S *	1/2008	Matiyahu	D13/133
D591,270 S *	4/2009	Jakobson	D14/217
D635,978 S	4/2011	Chen	
D659,094 S	5/2012	Brand et al.	
D661,249 S	6/2012	Smith et al.	
D664,146 S *	7/2012	Hoehn	D14/433
8,512,079 B2	8/2013	Vroom et al.	
D689,858 S	9/2013	Lo et al.	

D692,024 S	10/2013	Seong et al.	
D693,768 S *	11/2013	Alesi	D13/110
D705,189 S *	5/2014	Chovin	D14/159
D711,884 S *	8/2014	Turksu	D14/433
D715,797 S	10/2014	Hiraga	
D720,691 S	1/2015	Lo et al.	
D728,467 S	5/2015	Hasbrook	
D733,043 S	6/2015	Hasbrook et al.	
D740,291 S *	10/2015	Turksu	D14/433
D750,083 S *	2/2016	Chow	D14/434
D751,527 S *	3/2016	Hinokio	D14/204
D767,486 S	9/2016	Yu	
D776,659 S *	1/2017	Hou	D14/433
D782,476 S	3/2017	Yamazaki	
D788,112 S	5/2017	Liao	
D793,397 S *	8/2017	Eliyahu	D14/433
D794,028 S *	8/2017	Lin	D14/433
D797,747 S *	9/2017	Xu	D14/433
D798,301 S	9/2017	Kujawski et al.	
D798,811 S	10/2017	Liao	

(Continued)

Primary Examiner — Cynthia R Underwood
(74) *Attorney, Agent, or Firm* — Wagenknecht IP Law Group PC

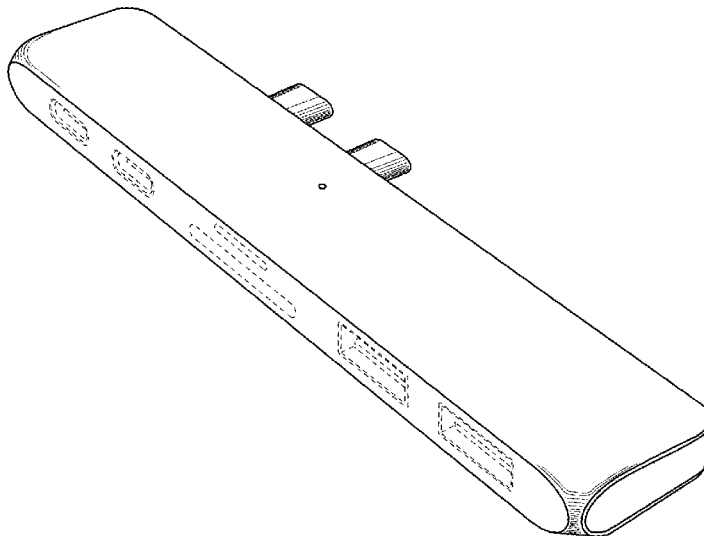
(57) **CLAIM**

What is claimed is an ornamental design for a multiport USB hub for a computer, as shown.

DESCRIPTION

FIG. 1 is front elevational view of a multiport USB hub for a computer showing our new design;
FIG. 2 is a rear elevational view thereof;
FIG. 3 is a left side elevational view thereof;
FIG. 4 is a right side elevational view thereof;
FIG. 5 is a top plan view thereof;
FIG. 6 is a bottom plan view thereof; and,
FIG. 7 is a front, top, left perspective view thereof.
The broken lines represent portions of the structure that forms no part of the claim.

1 Claim, 7 Drawing Sheets



(56)

References Cited

U.S. PATENT DOCUMENTS

D800,730 S	10/2017	Liao	
D813,875 S	3/2018	Liao	
D815,639 S *	4/2018	Lau	D14/433
D820,264 S *	6/2018	Lai	D14/433

* cited by examiner

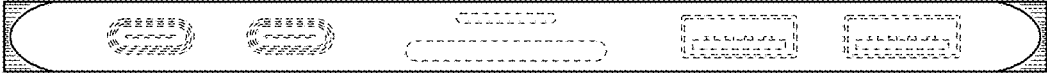


FIG. 1



FIG. 2



FIG. 3

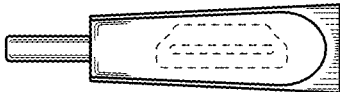


FIG. 4

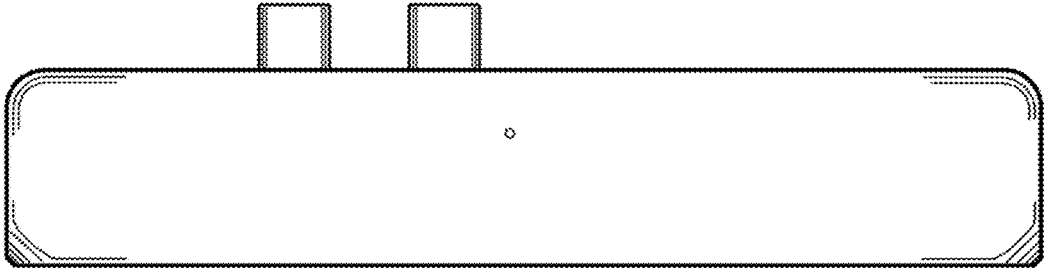


FIG. 5

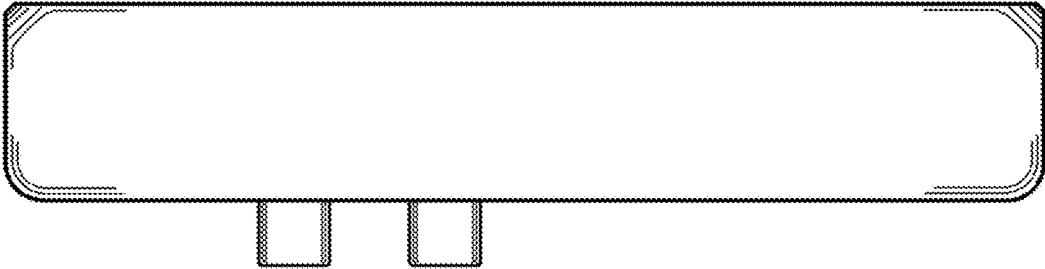


FIG. 6

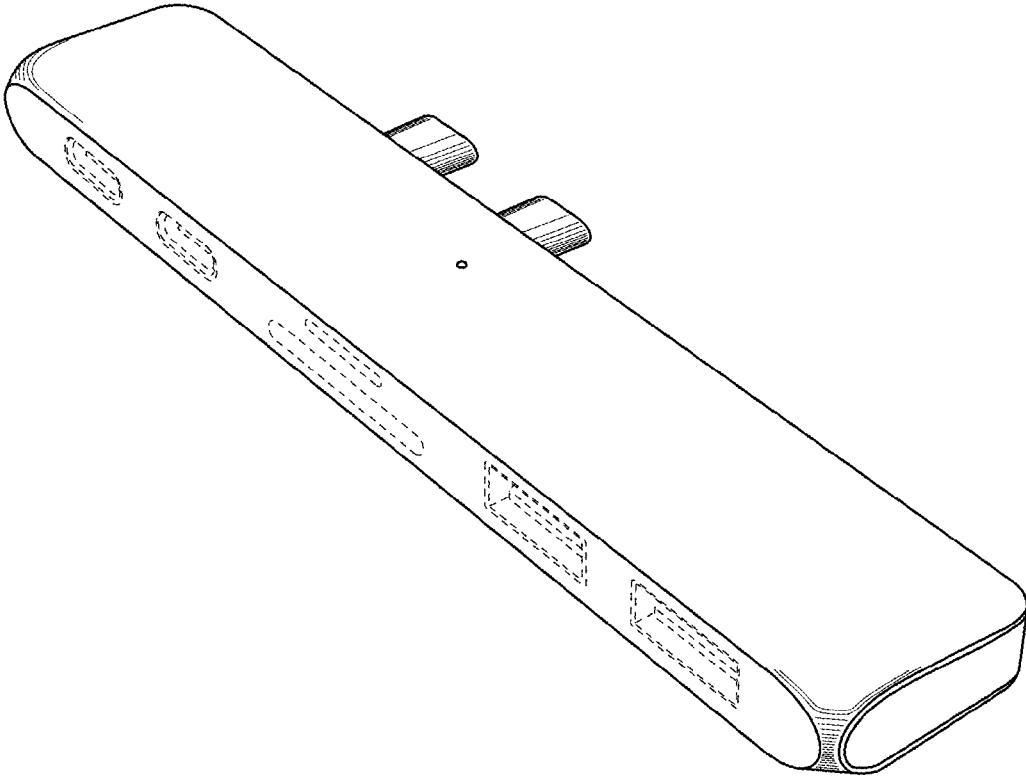


FIG. 7