



US00D350838S

United States Patent [19]

[11] Patent Number: Des. 350,838

Johnson

[45] Date of Patent: ** Sep. 20, 1994

[54] OIL FIRE EXTINGUISHING CONE

5,018,585 5/1991 Brennecke 169/54

[76] Inventor: **Howard Johnson**, 819 SW. 50th St.,
Lawton, Okla. 73505

5,056,603 10/1991 Parkinson 169/54

5,146,995 9/1992 Kim 169/48

5,152,346 10/1992 Wilson 169/48

[**] Term: **14 Years**

Primary Examiner—Kay H. Chin

Attorney, Agent, or Firm—Terry M. Gernstein

[21] Appl. No.: **838,006**

[57] CLAIM

[22] Filed: **Feb. 21, 1992**

The ornamental design for an oil fire extinguishing cone, as shown and described.

[52] U.S. Cl. **D29/125**

[58] Field of Search 169/54, 48, 26;
D29/1-5

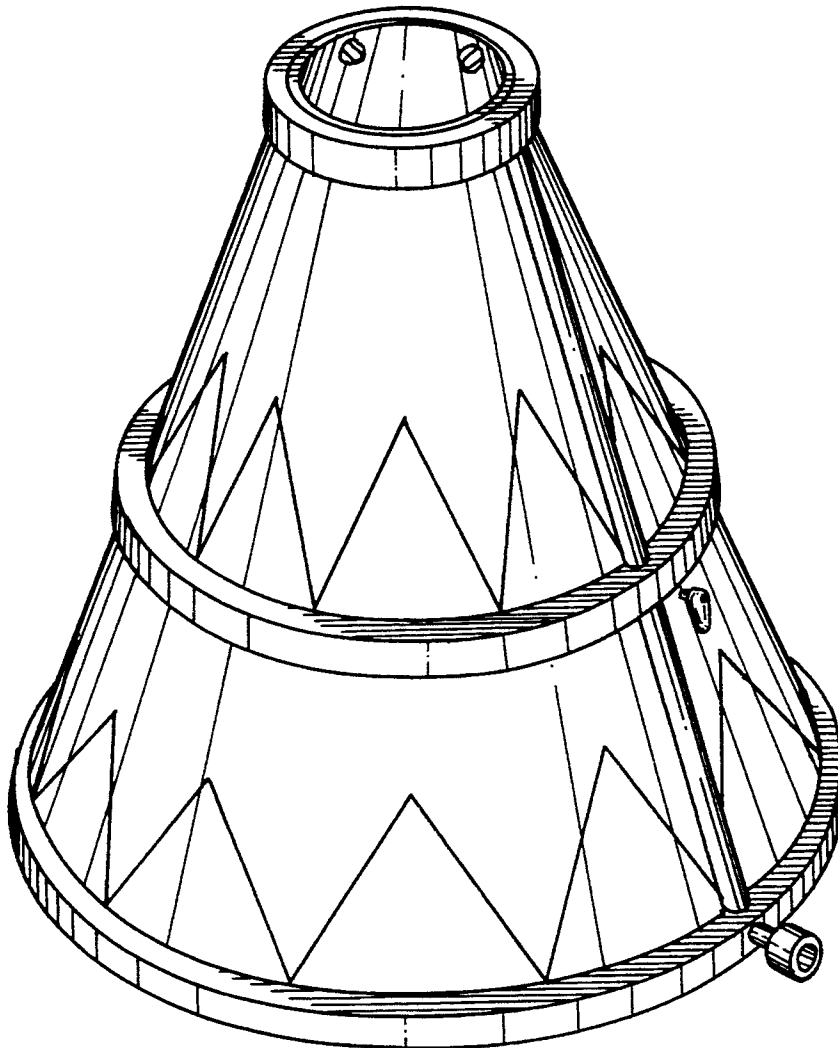
DESCRIPTION

[56] References Cited

U.S. PATENT DOCUMENTS

2,802,538	8/1957	Subarsky	169/54
3,489,223	1/1970	Bundo, Sr.	169/26
4,194,570	3/1980	Arencibta, Jr.	169/54
4,606,832	8/1986	Hisamoto	169/54
4,711,307	12/1987	Rosen	169/54

FIG. 1 is a perspective view of the oil fire extinguishing cone embodying the design of the present invention; FIG. 2 is a front elevational view thereof, the rear being a mirror image of the front shown in FIG. 2; FIG. 3 is a side elevational view thereof, the side opposite being a mirror image of the side shown in FIG. 3; FIG. 4 is a top plan view thereof; and, FIG. 5 is a bottom view thereof.



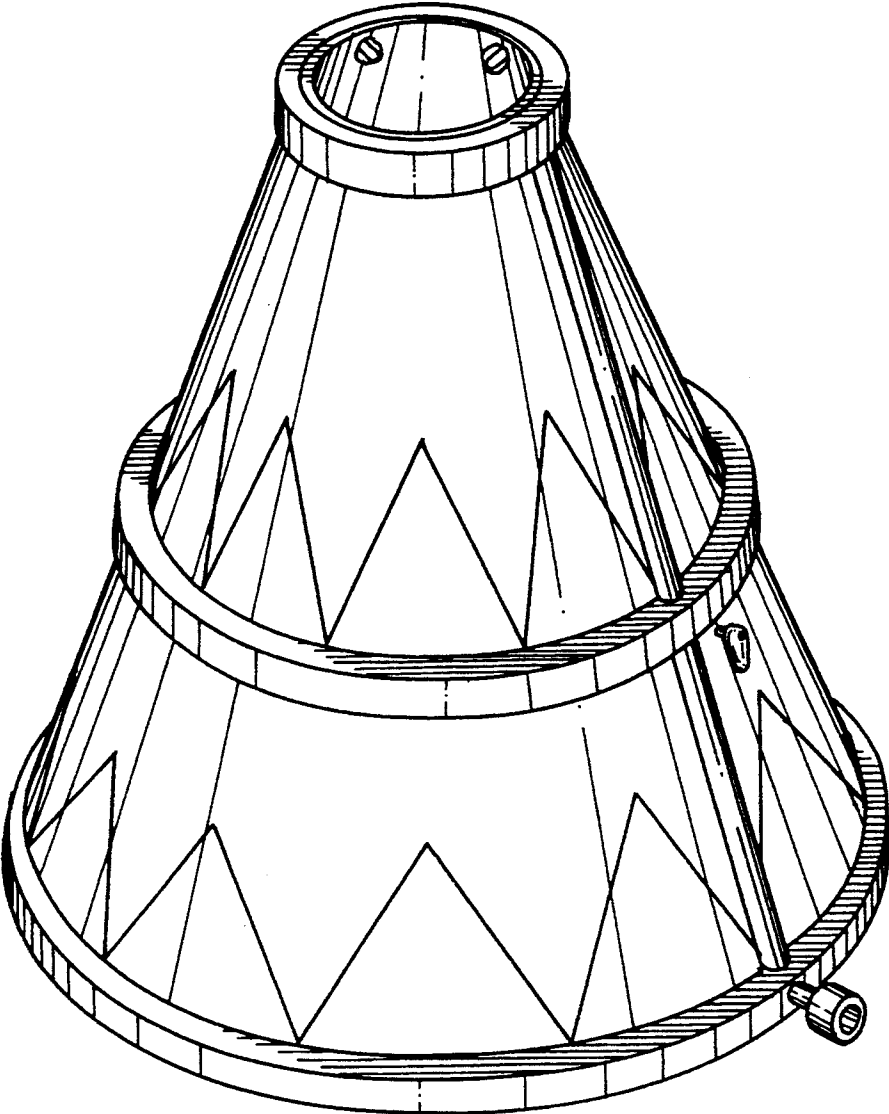


FIG.1.

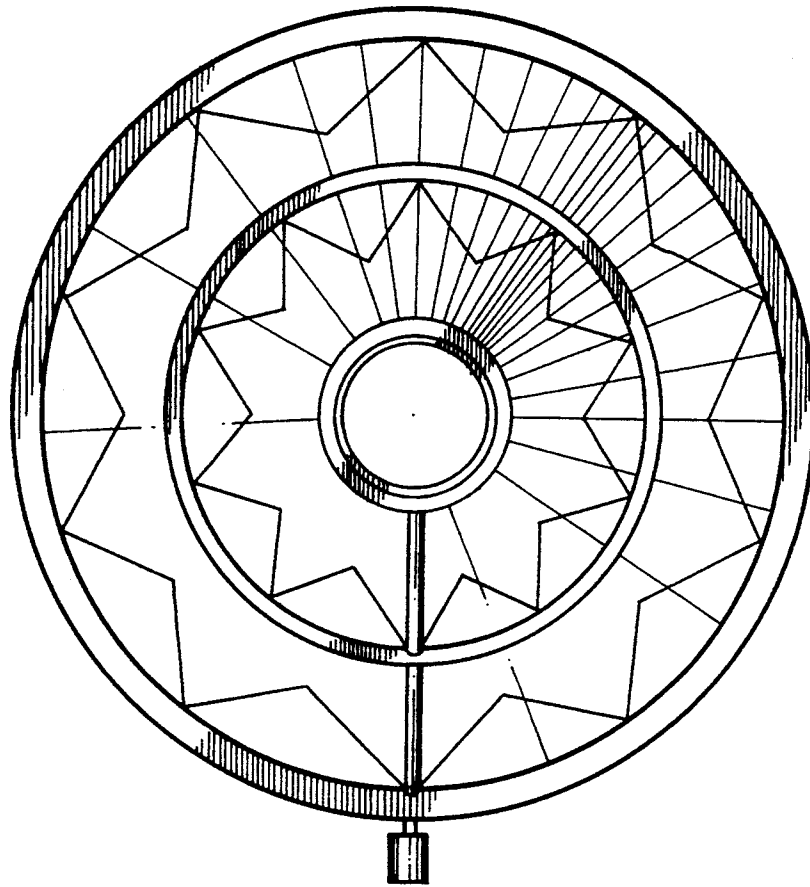
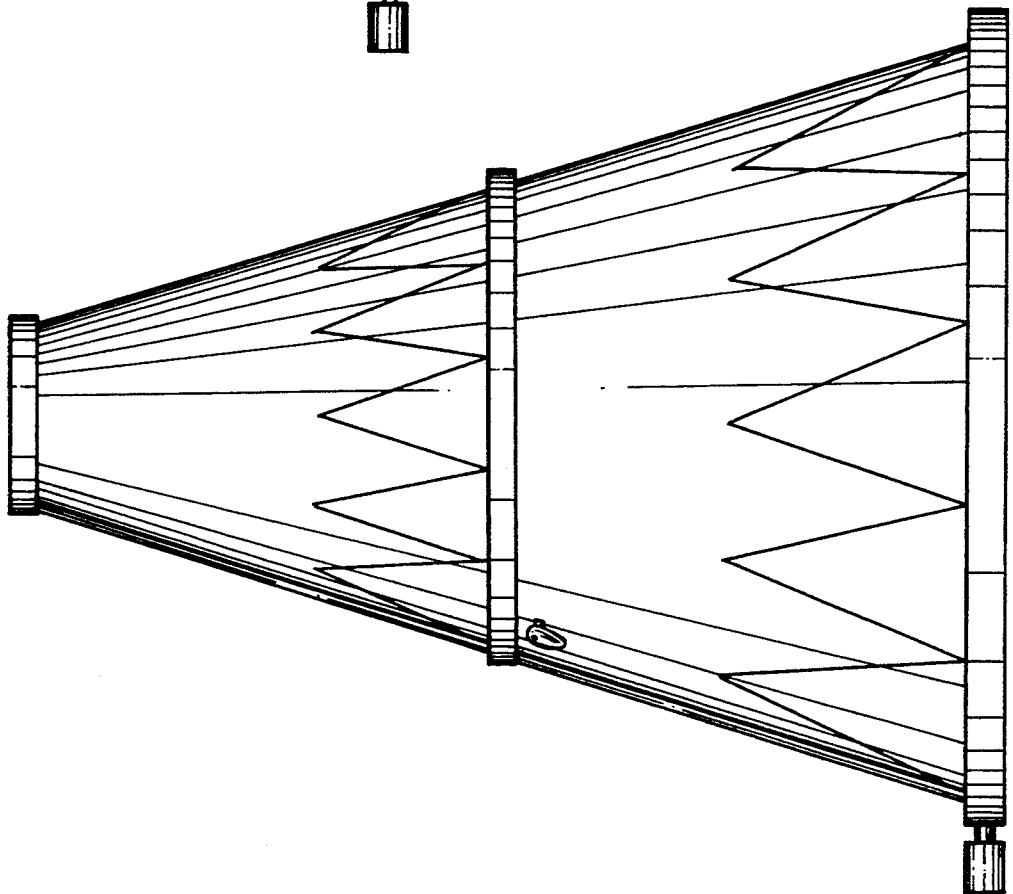


FIG. 4.

FIG. 3.



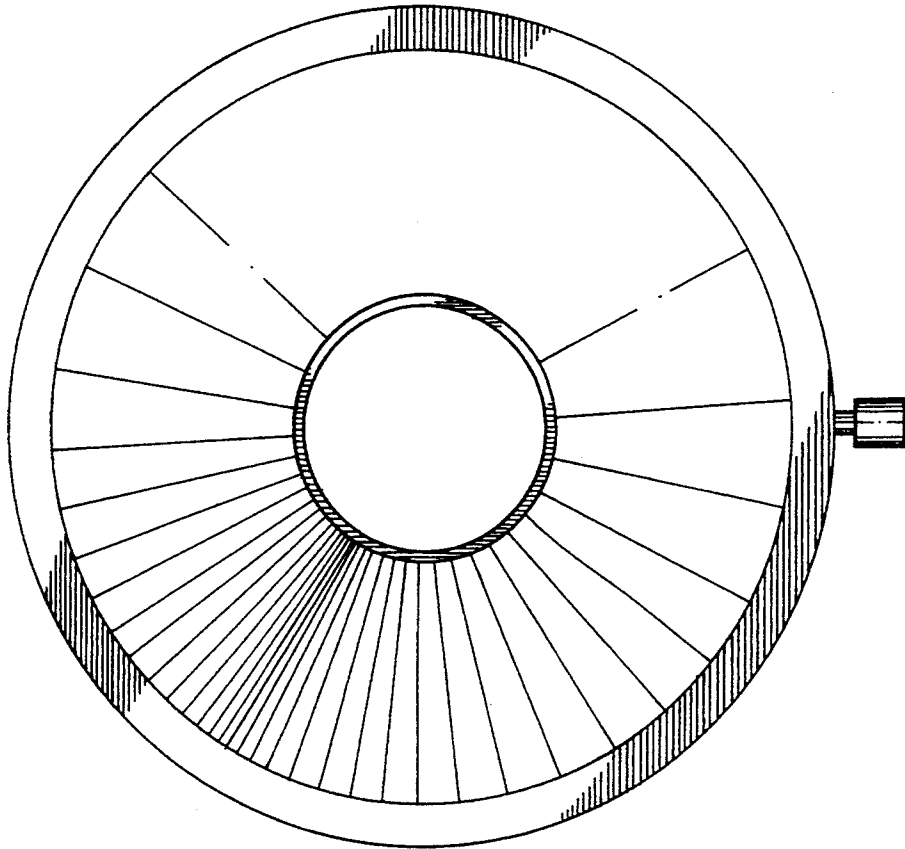


FIG. 5.

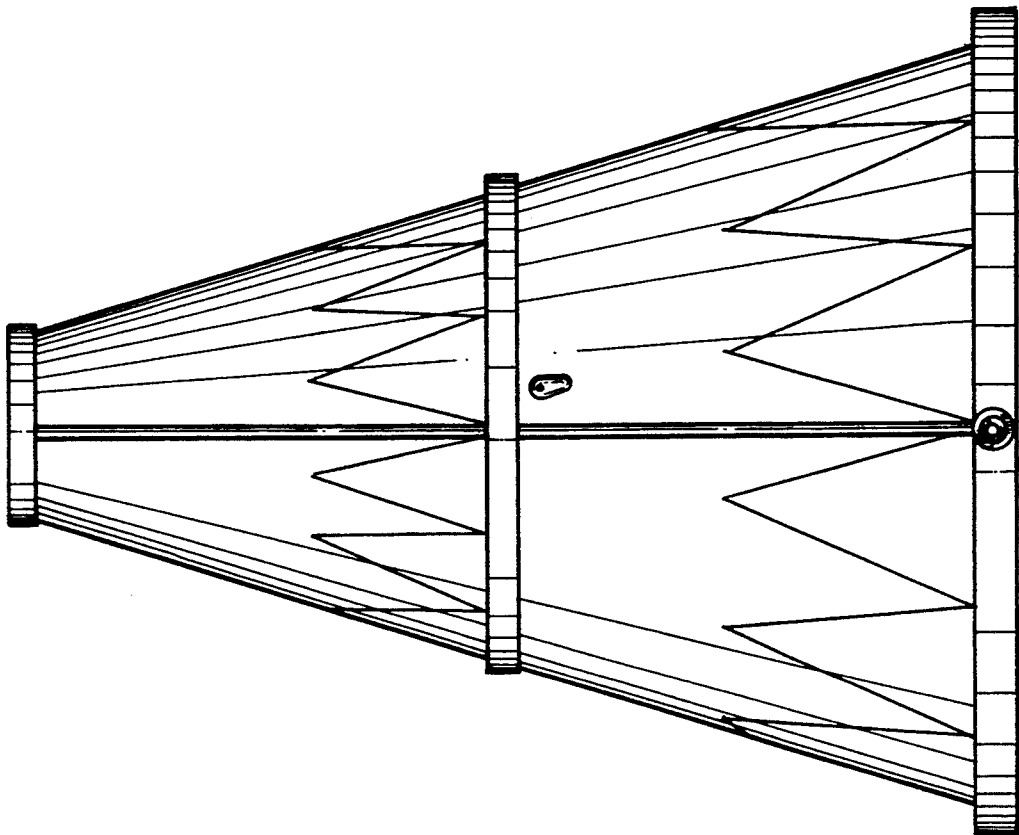


FIG. 2.