



US00D334227S

United States Patent [19]

[11] Patent Number: Des. 334,227

Gladfelter et al.

[45] Date of Patent: ** Mar. 23, 1993

[54] CHEMICAL DETERGENT BLOCK

[75] Inventors: Elizabeth J. Gladfelter, Falcon Heights; Tina O. Outlaw, Inver Grove Heights; James L. Copeland; Rhonda K. Schulz, both of Burnsville; Daniel K. Boche, Eagan; Jeff W. Peterson, Minnetonka, all of Minn.

3,925,225 12/1975 Morrison 252/90
 4,569,780 2/1986 Fernholz et al. 252/90
 4,683,072 7/1987 Holdt et al. 252/102
 4,835,804 6/1989 Arnau-Munoz et al. 8/158
 4,942,973 7/1990 Bowie 220/201
 4,944,165 7/1990 Leebeek et al. 68/17
 5,122,158 6/1992 Kuroda et al. 252/90
 5,133,892 7/1992 Chun et al. 252/90

[73] Assignee: Ecolab Inc., St. Paul, Minn.

[**] Term: 14 Years

[21] Appl. No.: 699,943

[22] Filed: May 14, 1991

[52] U.S. Cl. D23/207

[58] Field of Search D23/207; D28/8.1; 252/90, 92, 134, 174, DIG. 2, DIG. 3; 206/5, 524.1; 434/278; 403/305

[56] References Cited

U.S. PATENT DOCUMENTS

D. 283,649 4/1986 Casberg D23/207
 D. 285,729 9/1986 Tovey D24/101
 D. 304,244 10/1989 Tovey D28/8.1
 683,181 9/1901 Mereness 252/90
 692,481 2/1902 Robinson 252/90
 1,267,949 5/1918 Williams 252/90

FOREIGN PATENT DOCUMENTS

0245760 6/1987 European Pat. Off. .

Primary Examiner—Wallace R. Burke
 Assistant Examiner—Melody Brown
 Attorney, Agent, or Firm—Merchant, Gould, Smith, Edell, Welter & Schmidt

[57] CLAIM

The ornamental design for a chemical detergent block, as shown and described.

DESCRIPTION

FIG. 1 is a perspective view of a chemical detergent block showing our new design; FIG. 2 is a top plan view thereof; and, FIG. 3 is a side elevational view thereof all other sides being mirror images of that shown. The bottom is flat and unornamented.

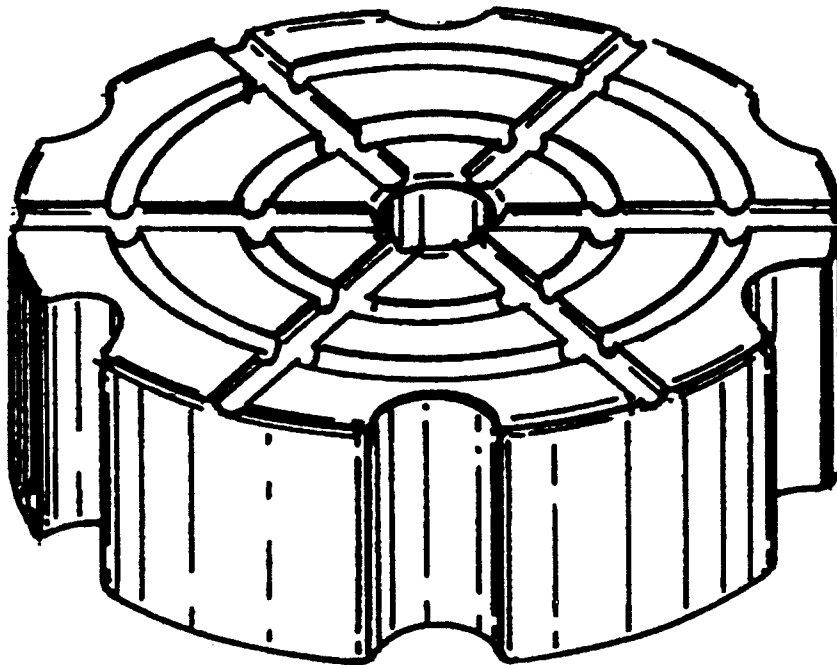


FIG. 1

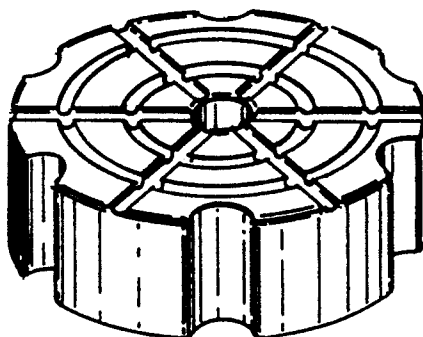


FIG. 2

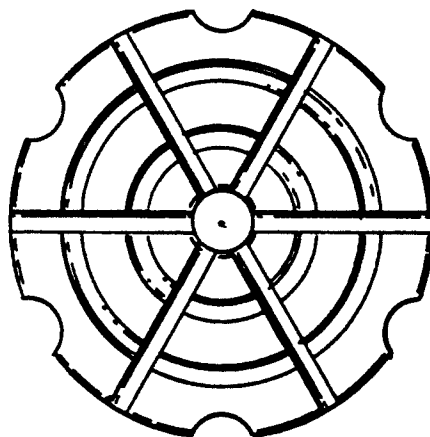


FIG. 3

