



US00D849871S

(12) **United States Design Patent**
McKillips

(10) **Patent No.:** **US D849,871 S**

(45) **Date of Patent:** **** May 28, 2019**

- (54) **FIREARM ACCESSORY MOUNT**
- (71) Applicant: **WHG Properties, LLC**, North Wales, PA (US)
- (72) Inventor: **Neal McKillips**, Drexel Hill, PA (US)
- (73) Assignee: **WHG Properties, LLC**, North Wales, PA (US)
- (**) Term: **15 Years**
- (21) Appl. No.: **29/597,348**
- (22) Filed: **Mar. 16, 2017**

D785,745 S * 5/2017 McKillips D22/109
 D813,973 S * 3/2018 McKillips D22/109
 D820,938 S * 6/2018 Pittman D22/109

OTHER PUBLICATIONS

AIM Surplus, Geissele Super Precision—T1 Series Scope Mount, Publication date unknown, [site visited Feb. 22, 2017], <<http://www.aimsurplus.com/product.aspx?groupid=6840&name=Geissele+Super+Precision+-+T1+Series+Scope+Mount>>.

* cited by examiner

Primary Examiner — Karen S Acker
Assistant Examiner — Steven B Reinholdt, Jr.
 (74) *Attorney, Agent, or Firm* — Fox Rothschild LLP

(57) **CLAIM**

The ornamental design for a firearm accessory mount, as shown and described.

DESCRIPTION

FIG. 1 is an isometric view of a firearm accessory mount in accordance with the present disclosure;
 FIG. 2 is a further isometric view of the firearm accessory mount of FIG. 1;
 FIG. 3 is a right side elevation view of the firearm accessory mount of FIG. 1;
 FIG. 4 is a left side elevation view of the firearm accessory mount of FIG. 1;
 FIG. 5 is a top view of the firearm accessory mount of FIG. 1;
 FIG. 6 is a bottom view of the firearm accessory mount of FIG. 1;
 FIG. 7 is a rear elevation view of the firearm accessory mount of FIG. 1; and,
 FIG. 8 is a front elevation view of the firearm accessory mount of FIG. 1.
 The broken lines and planes adjacent to the right side shaded plane and the solid lines depict portions of the firearm accessory mount that form no part of the claimed design.

Related U.S. Application Data

- (62) Division of application No. 29/552,111, filed on Jan. 20, 2016, now Pat. No. Des. 785,745.
- (51) **LOC (11) Cl.** **22-01**
- (52) **U.S. Cl.**
 USPC **D22/109**
- (58) **Field of Classification Search**
 USPC D22/108, 109, 110, 199; D16/132, 130, D16/133, 330, 134
 CPC F41A 3/00; G02B 13/00
 See application file for complete search history.

(56) **References Cited**

U.S. PATENT DOCUMENTS

- D403,734 S * 1/1999 Kay D22/108
- D520,592 S * 5/2006 Warren D22/109
- D531,693 S * 11/2006 Warren D22/109
- D600,311 S * 9/2009 Swan D22/109
- D637,260 S 5/2011 Swan
- D669,554 S * 10/2012 Warren D22/109
- D672,839 S 12/2012 Ding
- D716,410 S 10/2014 Wallgren
- D733,831 S * 7/2015 Dueck D22/109
- D739,913 S * 9/2015 Nevils D22/109
- D760,863 S 7/2016 Wallgren
- D763,599 S * 8/2016 Vinson D6/552

1 Claim, 3 Drawing Sheets

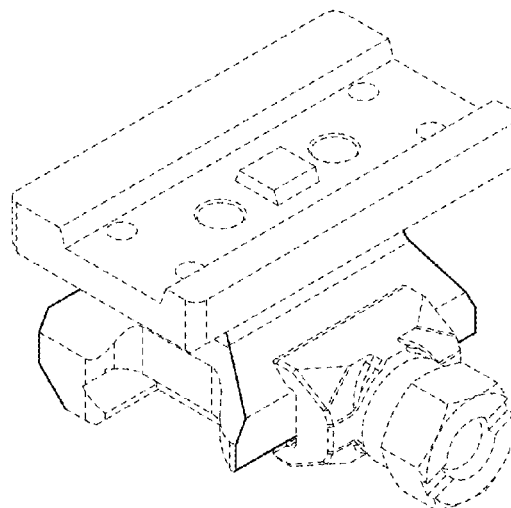
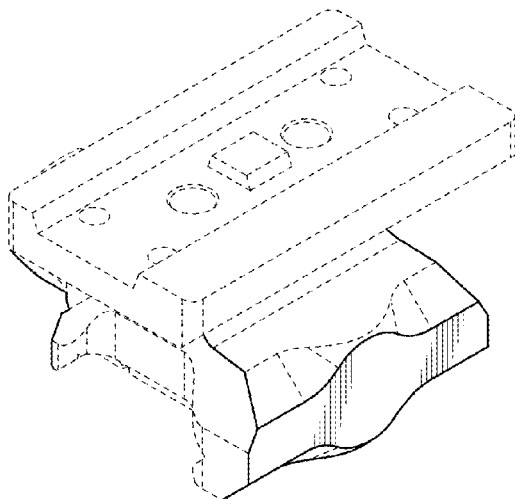


FIG. 1

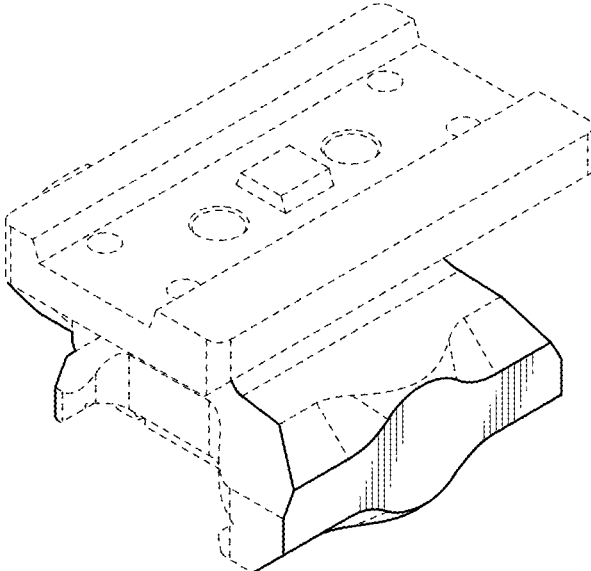


FIG. 2

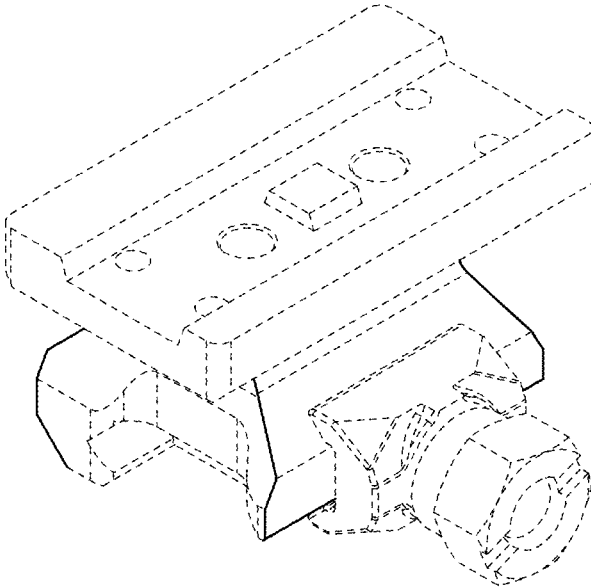


FIG. 3

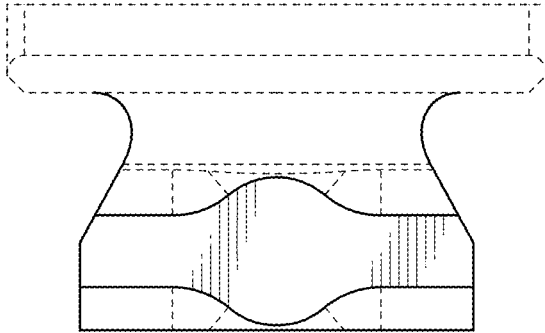


FIG. 4

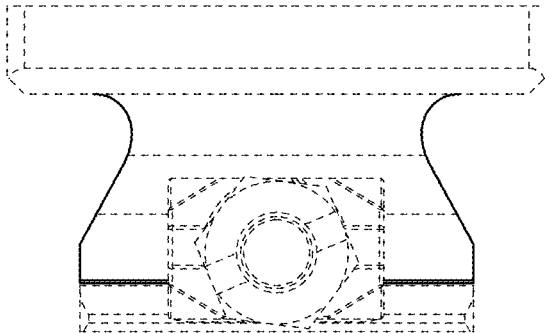


FIG. 5

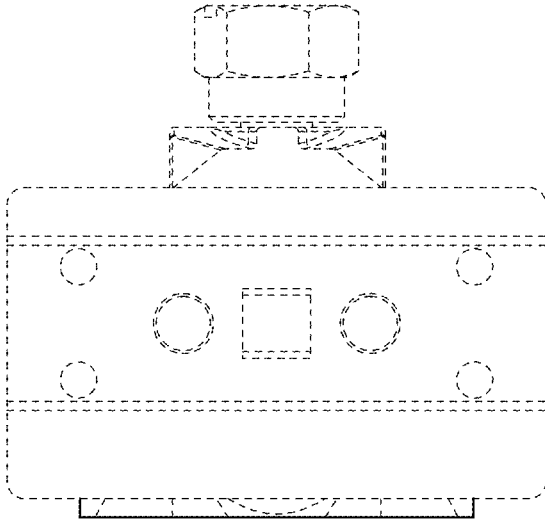


FIG. 6

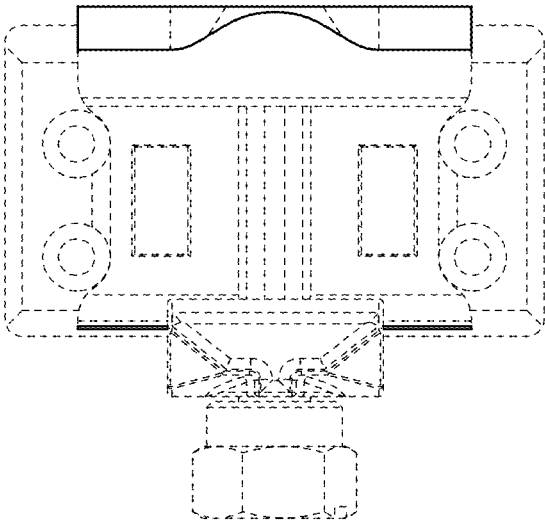


FIG. 7

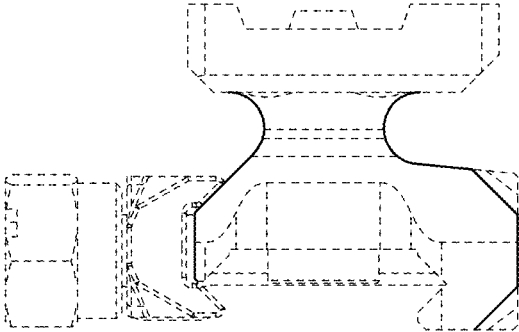


FIG. 8

