



US00D413165S

**United States Patent** [19]  
**Tsuji**

[11] **Patent Number: Des. 413,165**

[45] **Date of Patent: \*\* Aug. 24, 1999**

[54] **COMBINED UPPER LIGHT FIXTURE, MOTOR HOUSING, BLADE IRONS AND LOWER LIGHT FIXTURE UNIT FOR A CEILING FAN**

[75] Inventor: **Masao Tsuji**, Germantown, Tenn.

[73] Assignee: **Hunter Fan Company**, Memphis, Tenn.

[\*\*] Term: **14 Years**

[21] Appl. No.: **29/096,013**

[22] Filed: **Nov. 3, 1998**

[51] **LOC (6) Cl.** ..... **23-04**

[52] **U.S. Cl.** ..... **D23/411; D23/377; D23/379; D26/59**

[58] **Field of Search** ..... **D23/377, 379, D23/385, 411; 416/5; 362/96; 392/364; D26/81-86, 88, 51, 59, 72**

[56] **References Cited**

**U.S. PATENT DOCUMENTS**

D. 402,362 12/1998 Pickett ..... D23/377

**OTHER PUBLICATIONS**

Casablanca Fan Company Brochure, 1997, Author Unknown, Front and Back Covers and pp. 14 and 15.

*Primary Examiner*—Lisa Lichtenstein

*Attorney, Agent, or Firm*—Garrison, Morris & Haight, PLLC

[57] **CLAIM**

The ornamental design for a combined upper light fixture, motor housing, blade irons and lower light fixture unit for a ceiling fan, as shown and described.

**DESCRIPTION**

FIG. 1 is a perspective view of a combined upper light fixture, motor housing and lower light fixture unit for a ceiling fan showing our new design;

FIG. 2 is a perspective view of the design shown in FIG. 1 with the environmental structure removed therefrom;

FIG. 3 is a front view of FIG. 2;

FIG. 4 is a right-side view of FIG. 2;

FIG. 5 is a rear view of FIG. 2;

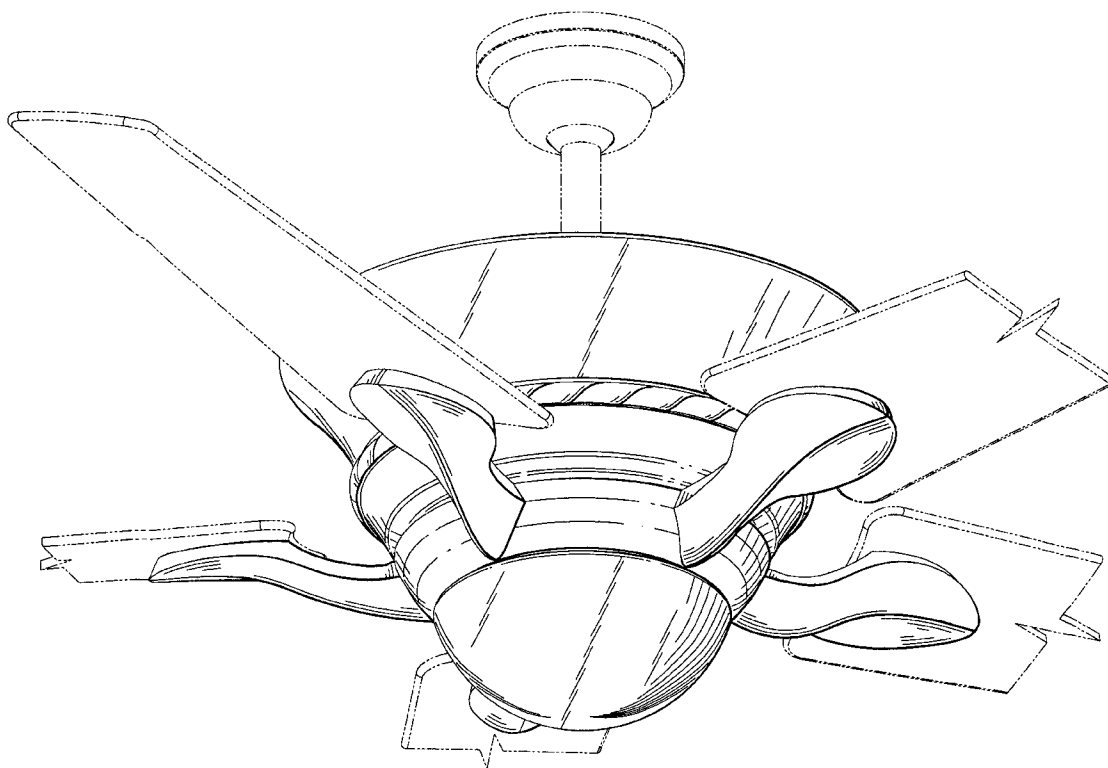
FIG. 6 is a left-side view of FIG. 2;

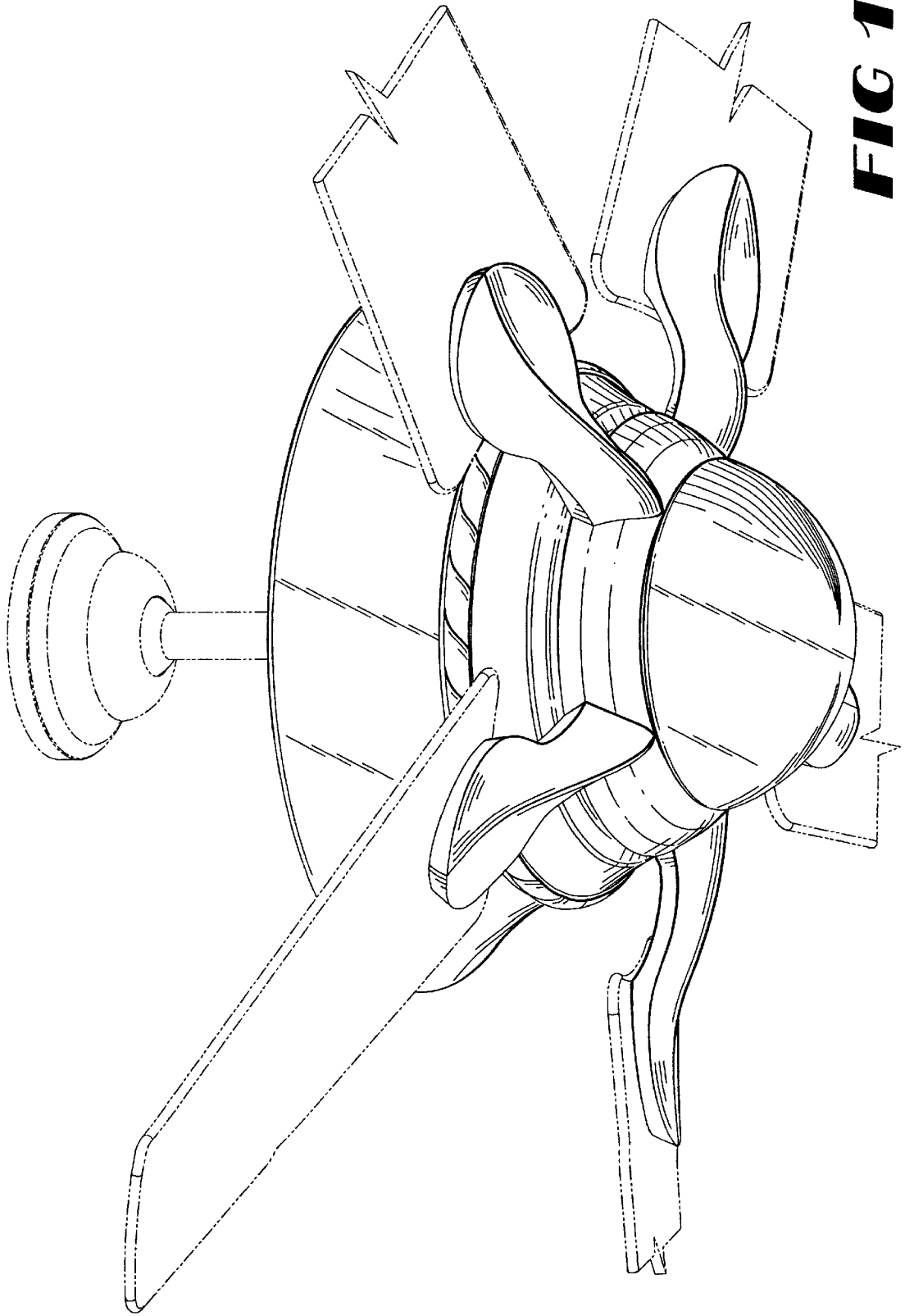
FIG. 7 is a top view of FIG. 2; and,

FIG. 8 is a bottom view of FIG. 2.

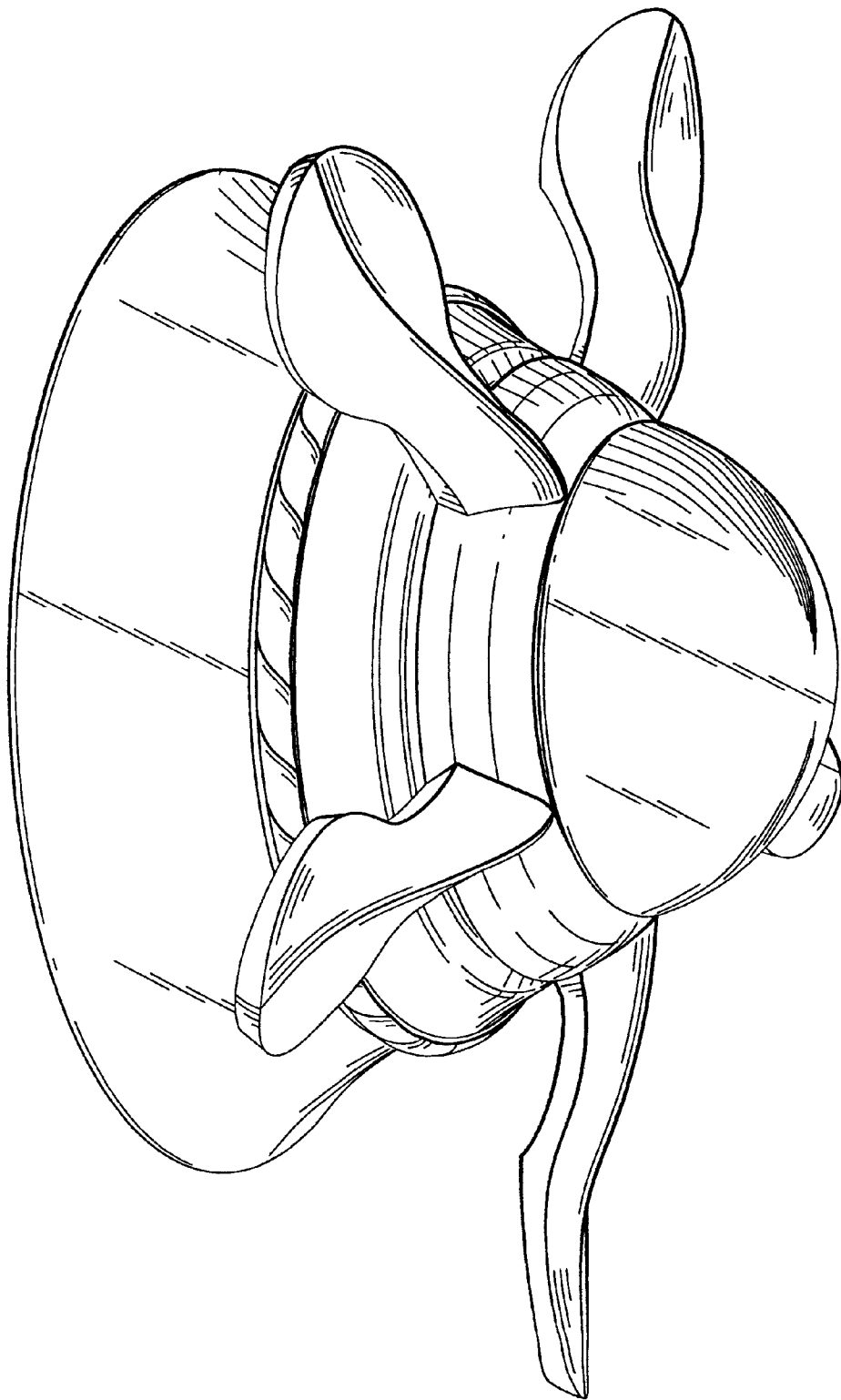
The broken line showing of environmental structure shown in FIG. 1 is for illustrative purposes only and forms no part of the claimed design.

**1 Claim, 8 Drawing Sheets**

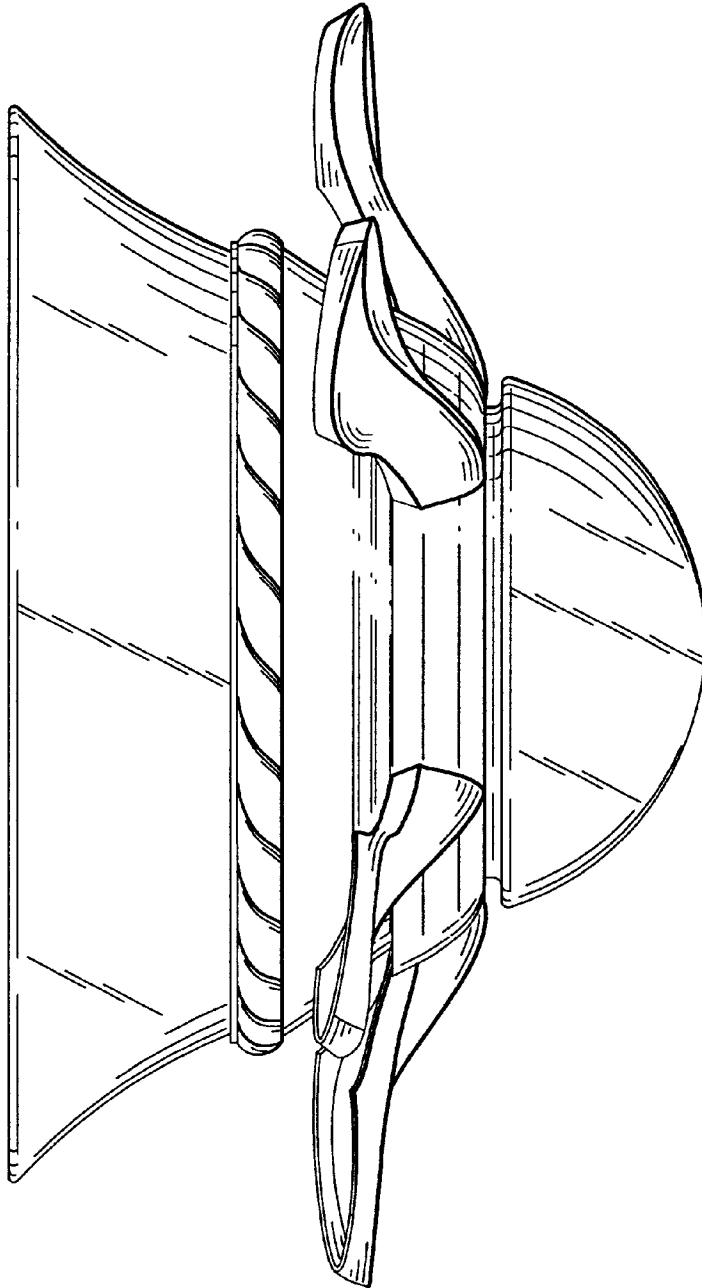




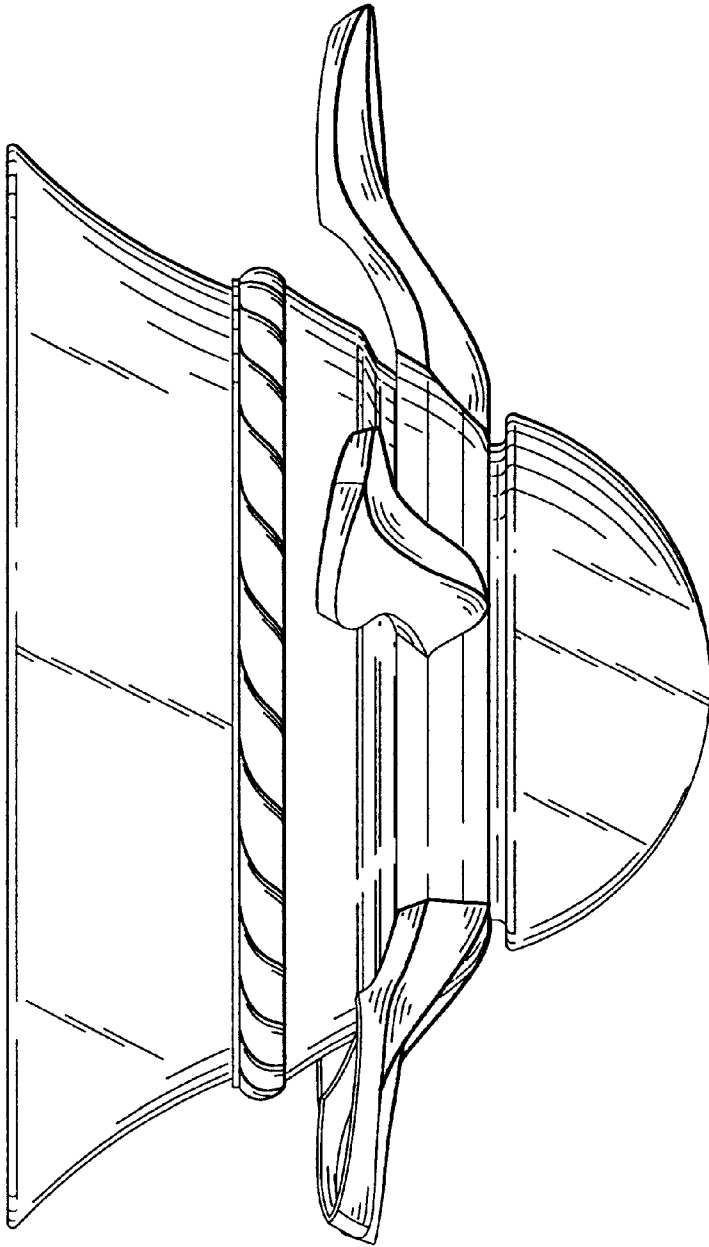
**FIG 1**



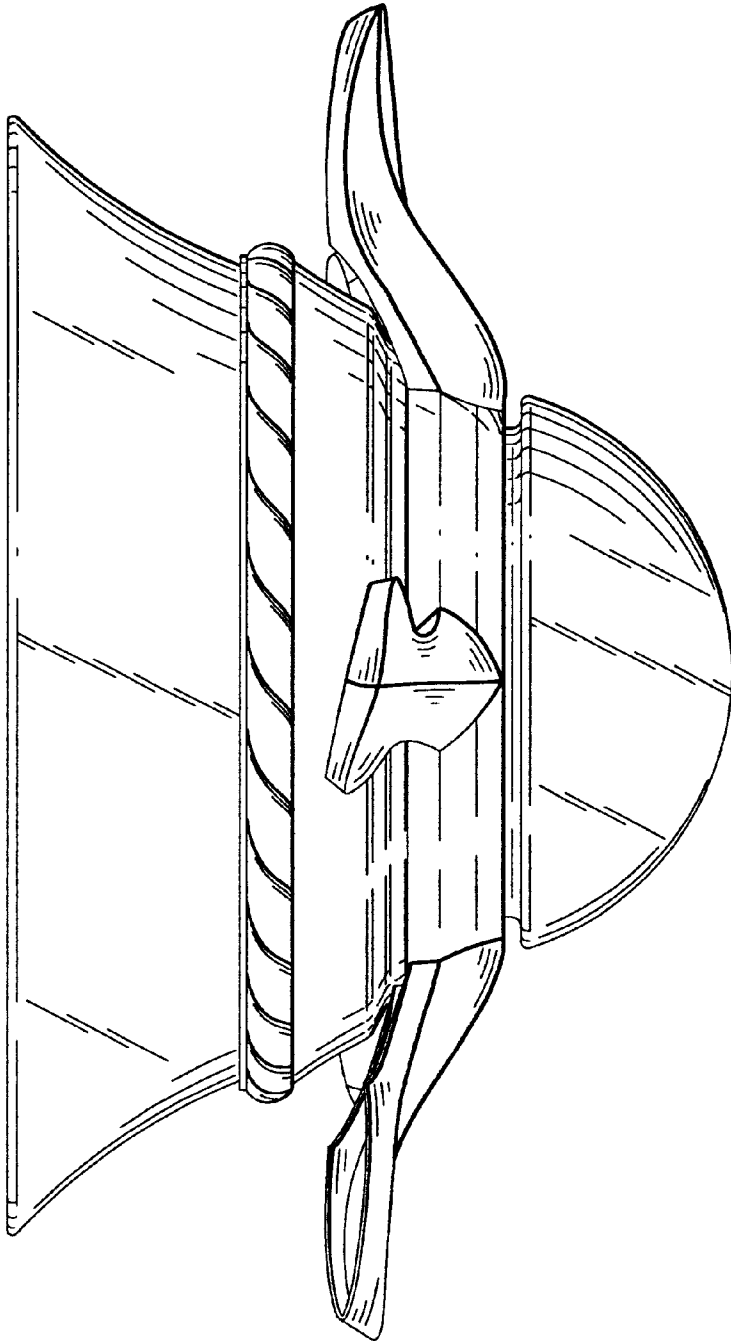
**FIG 2**



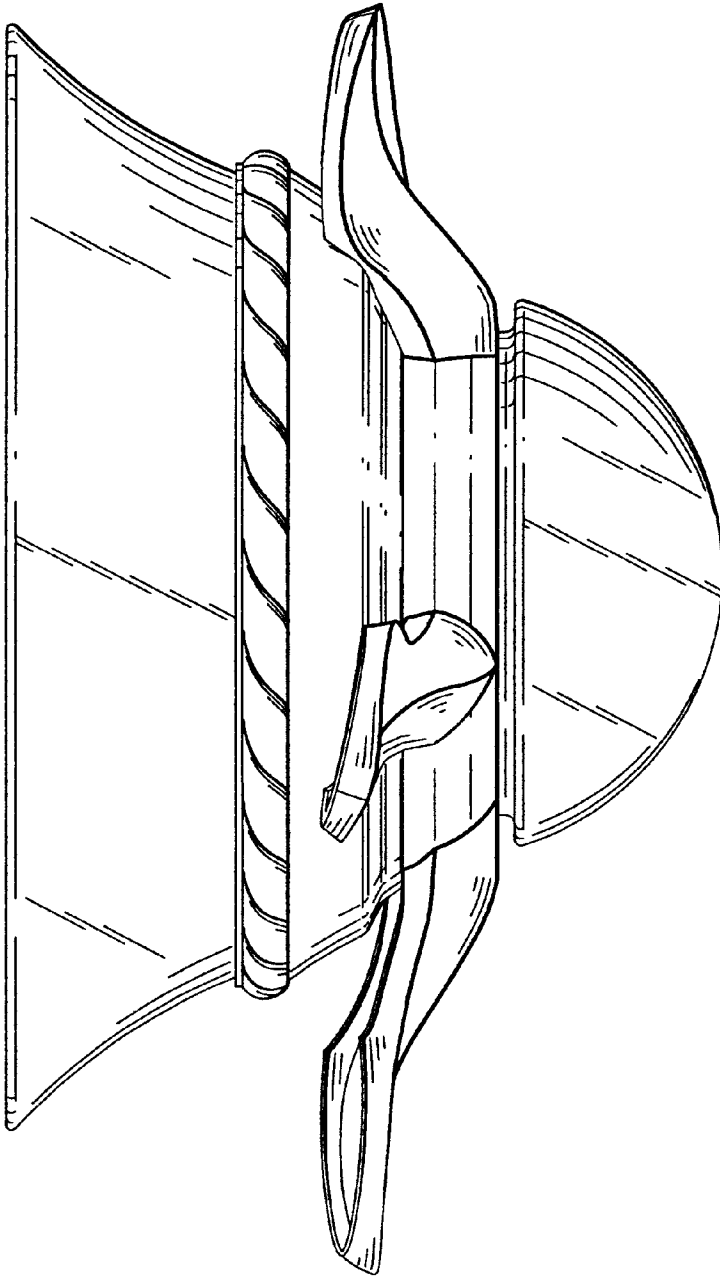
**FIG 3**



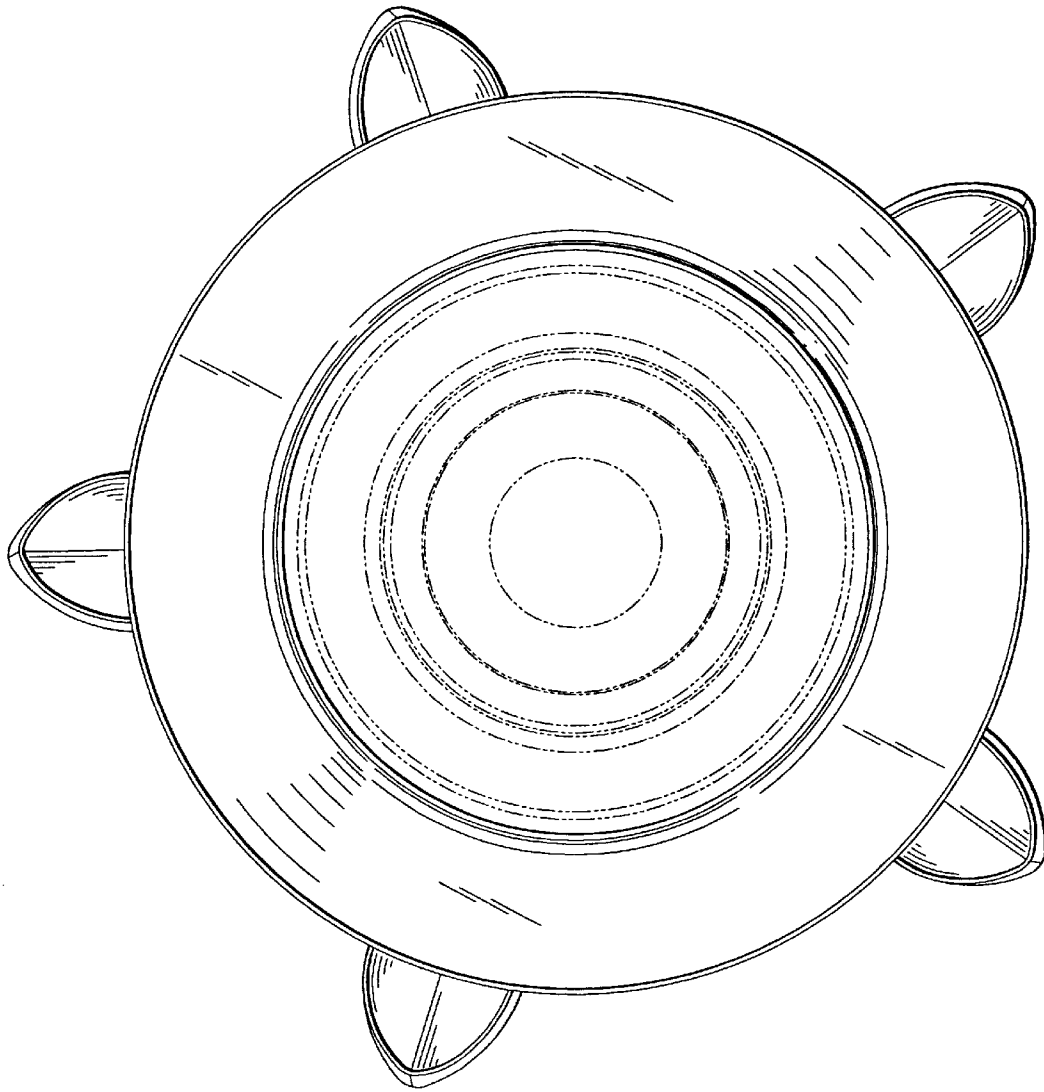
**FIG 4**



**FIG 5**

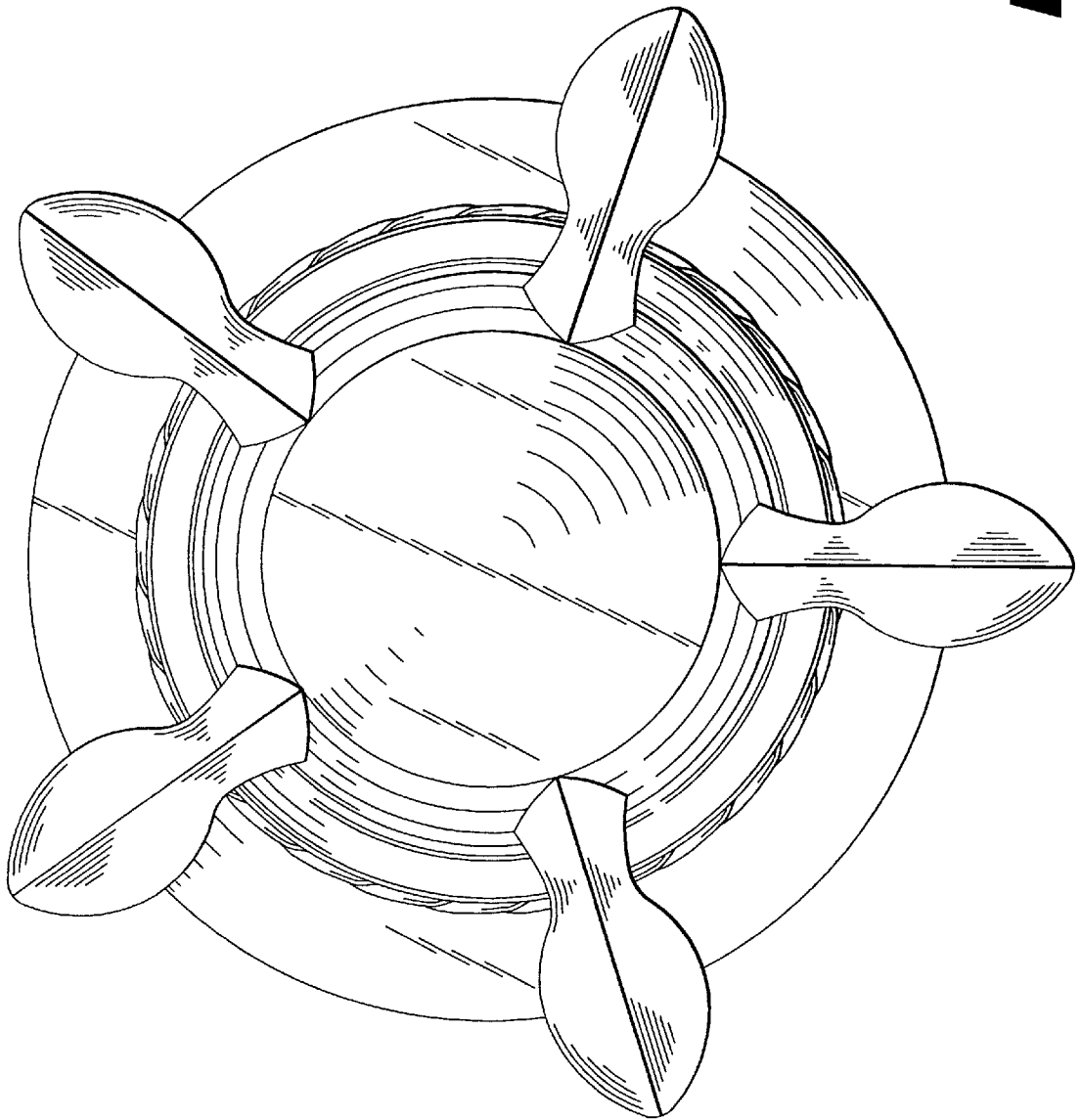


**FIG 6**



**FIG 7**





**FIG 8**