



(12) **United States Design Patent**
Mouquet

(10) **Patent No.:** **US D857,552 S**

(45) **Date of Patent:** **** Aug. 27, 2019**

(54) **BUCKLE**

11/06; B60R 22/30; B60R 22/32; B60R
22/022; B60R 2022/1806; B60R
2022/1812; B60R 2022/281; B65D 63/16;
A62B 35/00

(71) Applicant: **HERMES SELLIER (SOCIÉTÉ PAR
ACTIONS SIMPLIFIÉE)**, Paris (FR)

See application file for complete search history.

(72) Inventor: **Philippe Mouquet**, Paris (FR)

(56) **References Cited**

(**) Term: **15 Years**

U.S. PATENT DOCUMENTS

(21) Appl. No.: **35/505,474**

D149,472 S *	5/1948	Chernow	63/3
D268,485 S *	4/1983	Claude	D10/38
D419,269 S *	1/2000	Martin	D30/139
D536,281 S *	2/2007	Mouquet	D11/234
D556,081 S *	11/2007	Mouquet	D11/87
D587,093 S *	2/2009	Fonk	D8/330
D713,294 S *	9/2014	Mouquet	D11/231
D737,722 S *	9/2015	Muhlenfeld	D11/208
D827,215 S *	8/2018	Kao	D30/139
D830,227 S *	10/2018	Mouquet	D11/231

(22) Filed: **Jul. 17, 2018**

(80) **Hague Agreement Data**

Int. Filing Date: **Jul. 17, 2018**
Int. Reg. No.: **DM/102203**
Int. Reg. Date: **Jul. 17, 2018**
Int. Reg. Pub. Date: **Aug. 17, 2018**

FOREIGN PATENT DOCUMENTS

(51) **LOC (12) Cl.** **11-07**

WO D1606154 * 6/2018

(52) **U.S. Cl.**

* cited by examiner

USPC **D11/231**

(58) **Field of Classification Search**

USPC D2/624, 626, 627, 633, 639, 640, 853,
D2/923; D3/24, 213, 215, 216, 230;
D8/14, 331, 343, 349, 356, 358, 359, 360,
D8/363, 366, 371, 382, 394, 395;
D10/32, 38; D11/1, 2, 3, 12, 16, 86, 87,
D11/93, 200, 201, 206-210, 212-218,
D11/229-237; D12/195, 416;
D29/100-101.5, 122, 129, 130; D30/139,
D30/152, 153

CPC A44B 11/00; A44B 11/02; A44B 11/04;
A44B 11/05; A44B 11/06; A44B 11/10;
A44B 11/14; A44B 11/22; A44B 11/25;
A44B 11/26; A44B 11/125; A44B 11/223;
A44B 11/001; A44B 11/005; A44B
11/006; A44B 11/2503; A44B 11/2507;
A44B 11/2553; A44B 11/2592; A41F
1/008; A41F 9/002; A41F 9/007; A41F

Primary Examiner — George D. Kirschbaum
Assistant Examiner — Richard Kearney

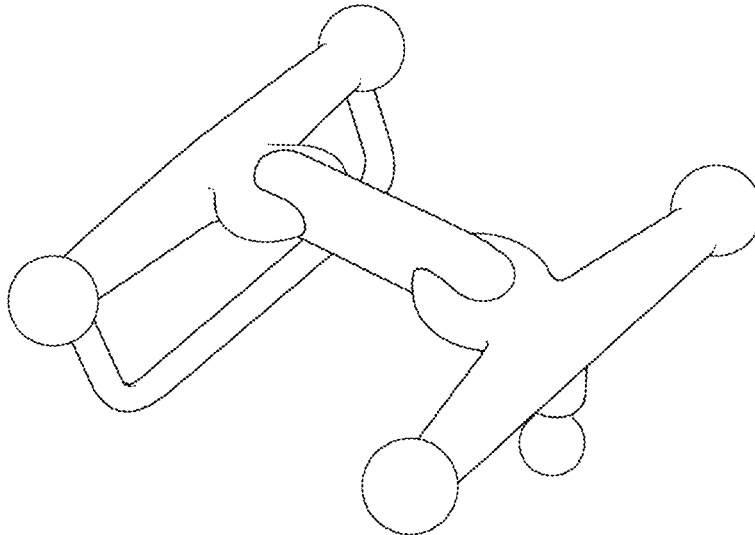
(57) **CLAIM**

The ornamental design for a buckle, as shown and described.

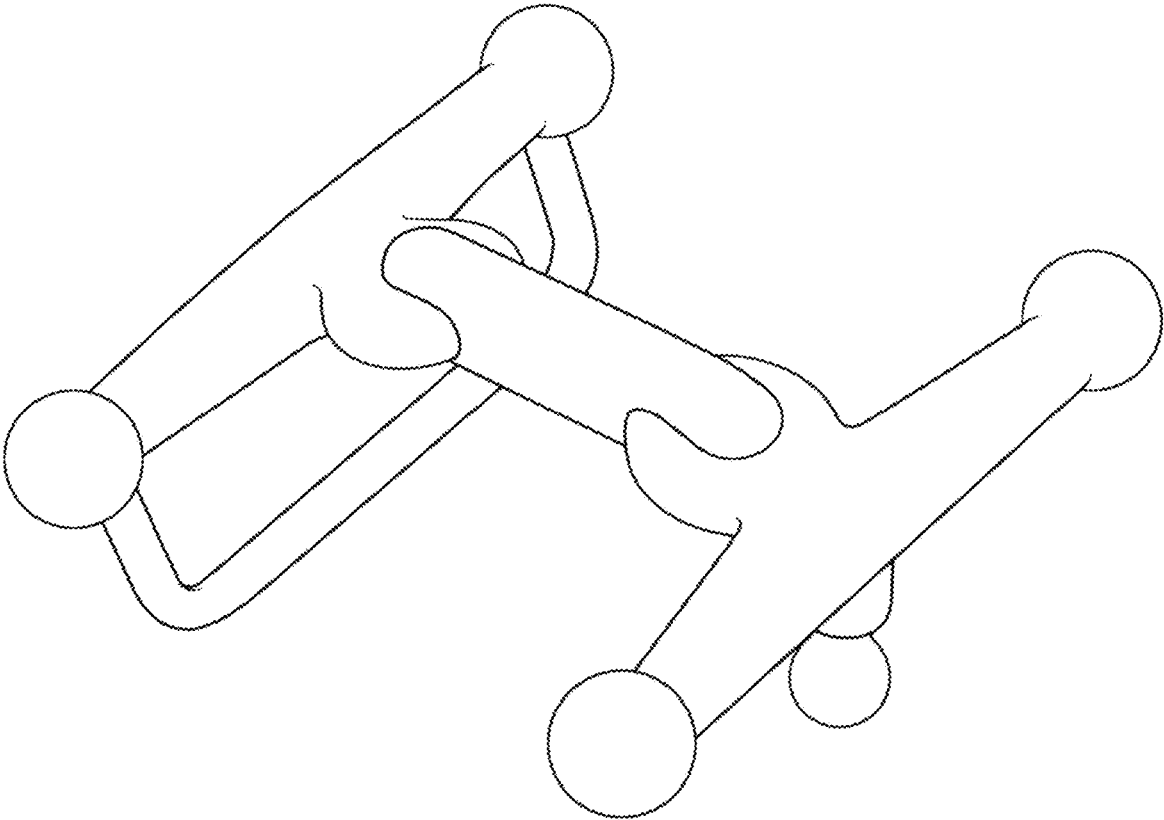
DESCRIPTION

- 1. Buckle
- 1.1 : Perspective
- 1.2 : Front
- 1.3 : Back
- 1.4 : Right
- 1.5 : Left
- 1.6 : Top
- 1.7 : Bottom

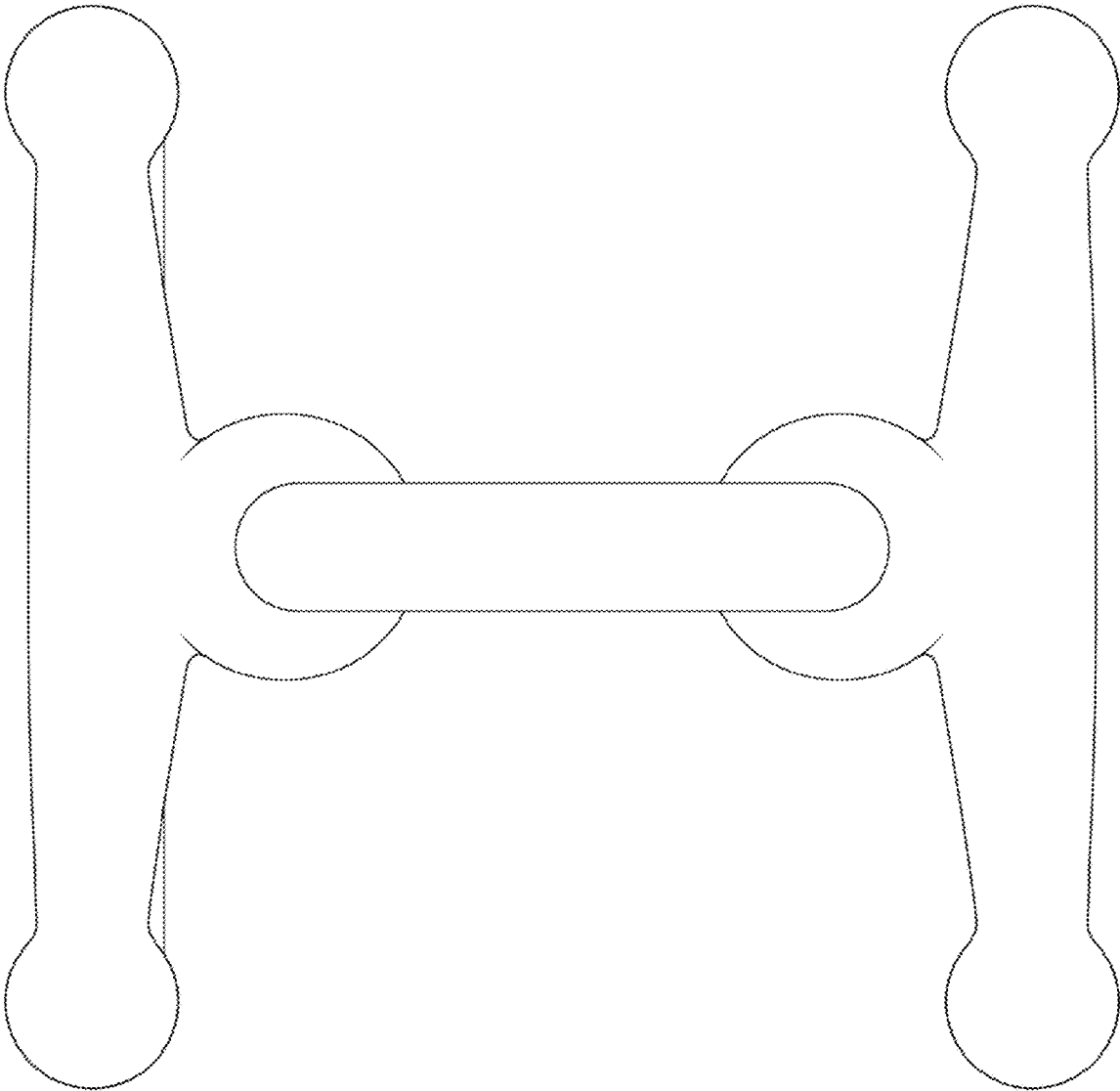
1 Claim, 7 Drawing Sheets



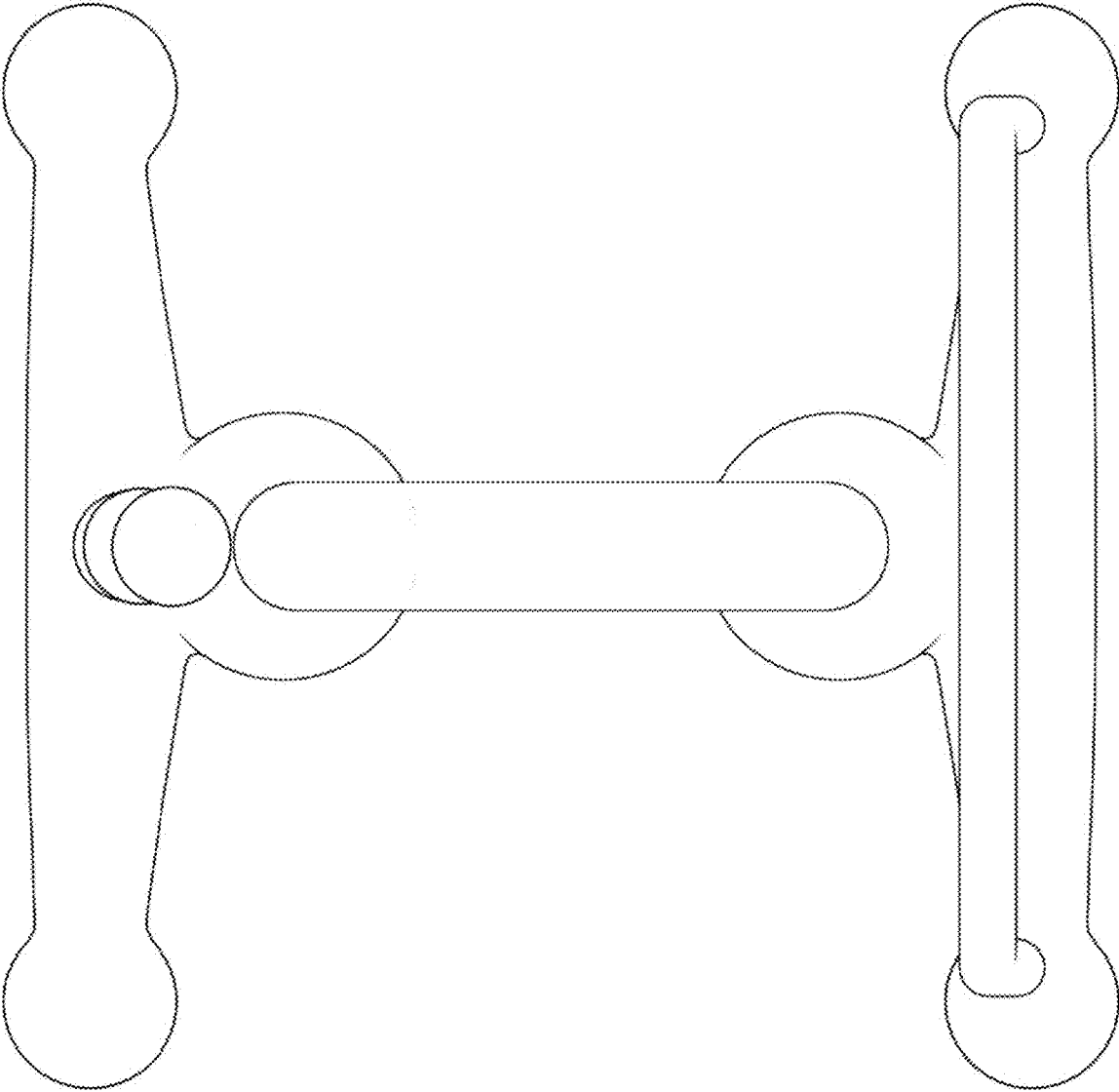
1.1



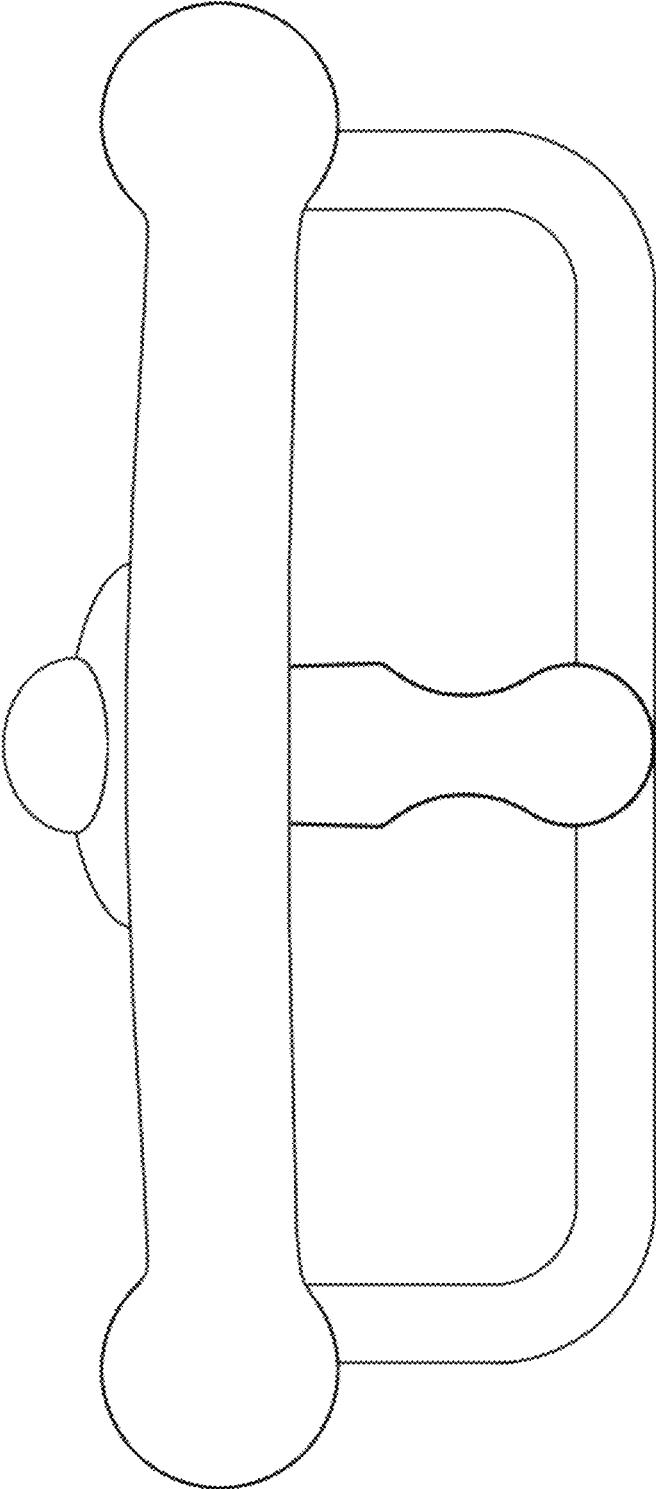
1.2



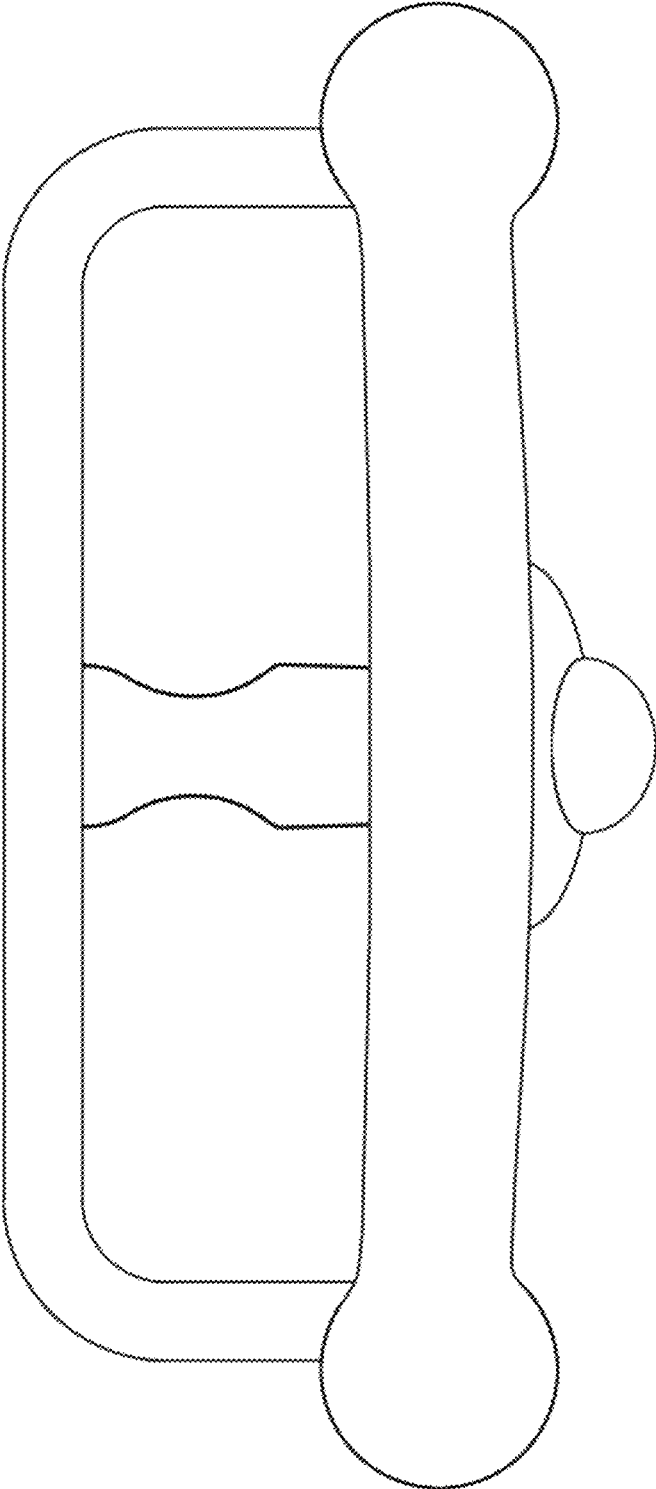
1.3



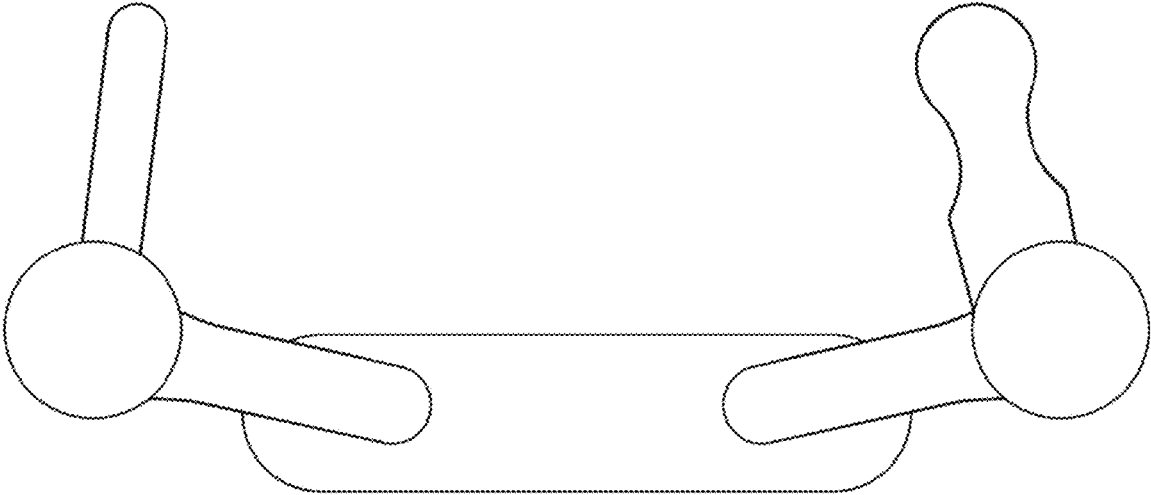
1.4



1.5



1.6



1.7

