



US00D730685S

(12) **United States Design Patent**
Barberi

(10) **Patent No.:** **US D730,685 S**

(45) **Date of Patent:** **** Jun. 2, 2015**

(54) **ELONGATED SIDE HANDLE FOR COOKWARE**

(71) Applicant: **Meyer Intellectual Properties Limited,**
Kowloon (HK)

(72) Inventor: **Philip D. Barberi,** San Ramon, CA (US)

(73) Assignee: **Meyer Intellectual Properties Limited**
(VG)

(**) Term: **14 Years**

(21) Appl. No.: **29/497,916**

(22) Filed: **Jul. 30, 2014**

(51) **LOC (10) Cl.** **07-02**

(52) **U.S. Cl.**
USPC **D7/395**

(58) **Field of Classification Search**
USPC D7/354-361, 393-395, 401.2, 664;
D8/107, 300, 321; D4/138, 129;
16/421, 430, 431, 110.1, 407;
220/573.1-573.5, 752, 753, 755, 756,
220/759, 767, 771, 912

See application file for complete search history.

(56) **References Cited**

U.S. PATENT DOCUMENTS

D567,579 S *	4/2008	Rae	D7/393
D578,345 S *	10/2008	Rae	D7/393
D587,519 S *	3/2009	Cheng et al.	D7/360
D589,744 S *	4/2009	Rae	D7/395
D599,165 S *	9/2009	Rae	D7/395
D613,551 S *	4/2010	Pantaleo	D7/395
D622,098 S *	8/2010	Pantaleo	D7/395
D630,889 S *	1/2011	Rae	D7/395

D645,698 S *	9/2011	Rae	D7/395
D667,691 S *	9/2012	Rae	D7/395
D682,023 S *	5/2013	Rae	D7/395
D699,511 S *	2/2014	Rae	D7/395
D705,001 S *	5/2014	Rae	D7/395

* cited by examiner

Primary Examiner — Cynthia M Chin

(74) *Attorney, Agent, or Firm* — Miller Canfield

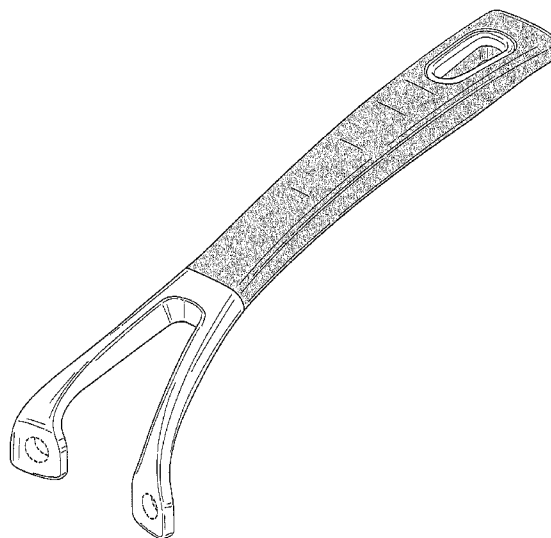
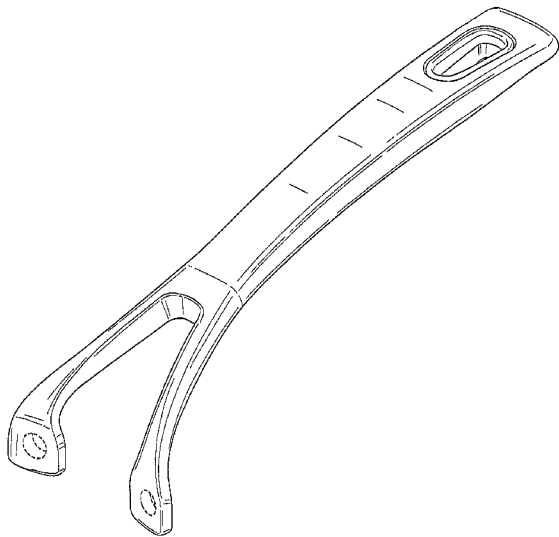
(57) **CLAIM**

The ornamental design for an elongated side handle for cookware, as shown and described.

DESCRIPTION

FIG. 1 is a perspective view of a first embodiment of the elongated side handle for cookware showing my new design; FIG. 2 is a right side elevation view of the first embodiment; the left side elevation view being the mirror image thereof; FIG. 3 is a top plan view of the first embodiment; FIG. 4 is a bottom plan view of the first embodiment; FIG. 5 is a front elevation view of the first embodiment; FIG. 6 is a rear elevation view of the first embodiment; FIG. 7 is a perspective view of a second embodiment of the elongated side handle for cookware showing my new design; FIG. 8 is a right side elevation view of the second embodiment; the left side elevation view being the mirror image thereof; FIG. 9 is a top plan view of the second embodiment; FIG. 10 is a bottom plan view of the second embodiment; FIG. 11 is a front elevation view of the second embodiment; and, FIG. 12 is a rear elevation view of the second embodiment. The broken lines in FIGS. 1, 2, 5-8 and 11-12 are for illustrative purposes only, depicting the environment of the new design, forming no part thereof as claimed.

1 Claim, 8 Drawing Sheets



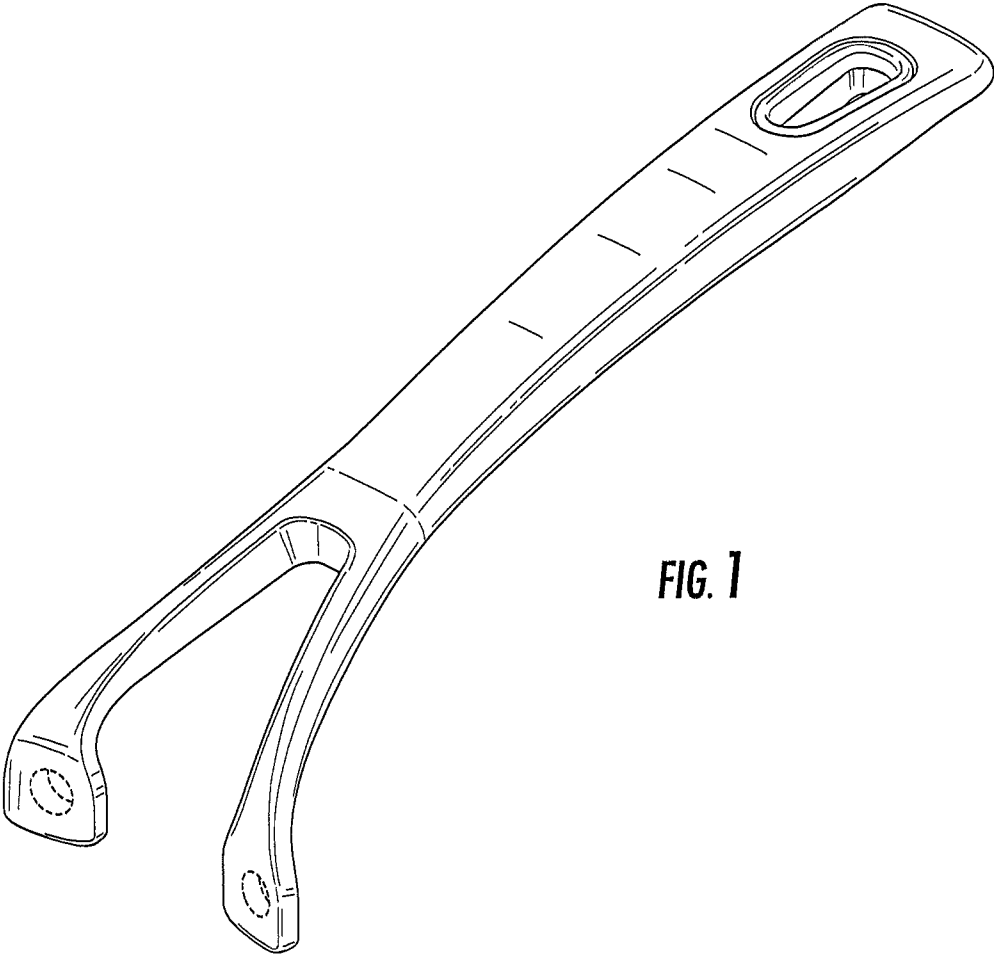


FIG. 1

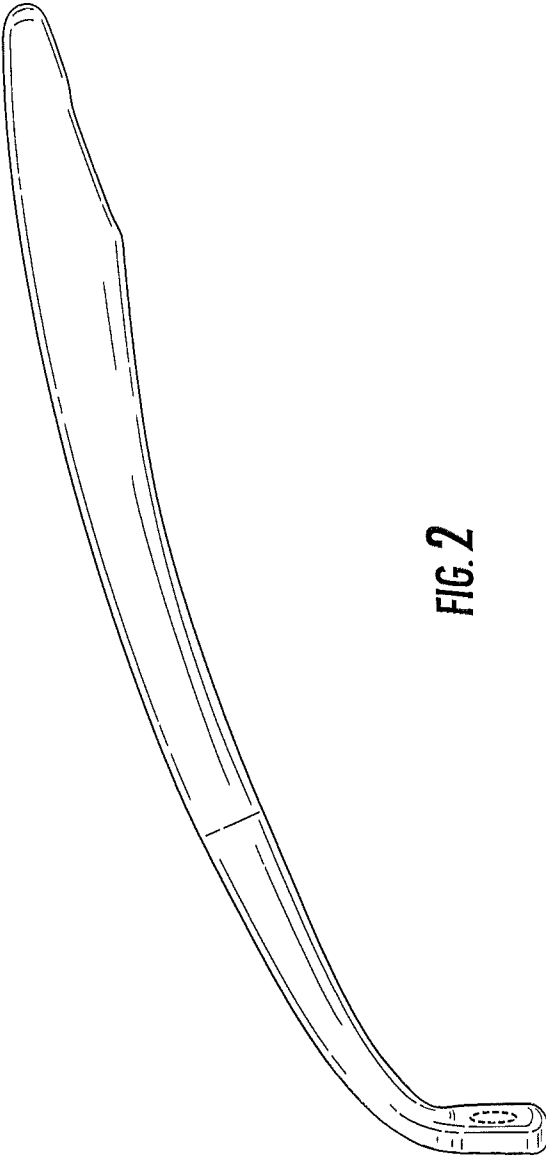


FIG. 2

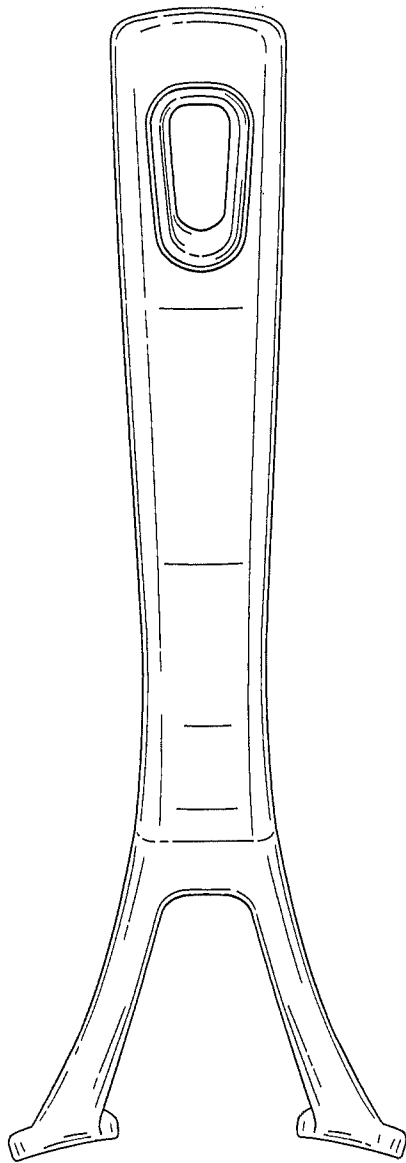


FIG. 3

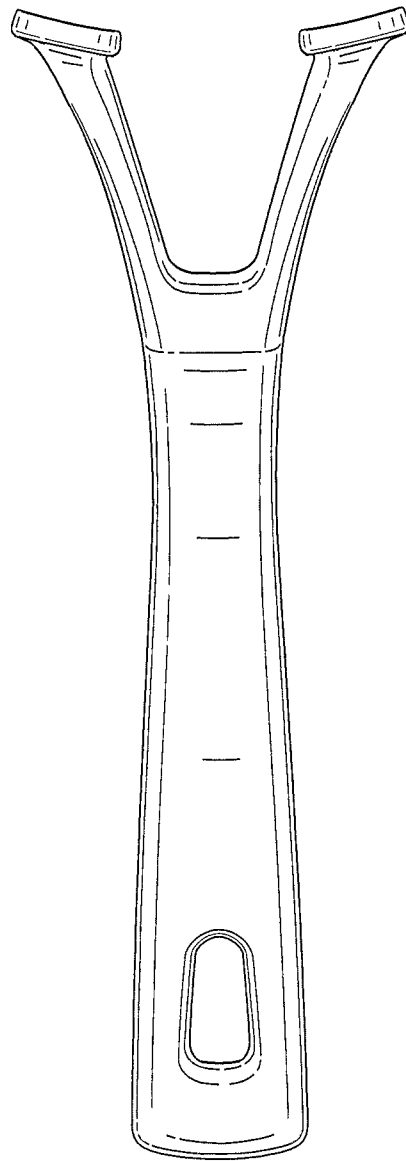


FIG. 4

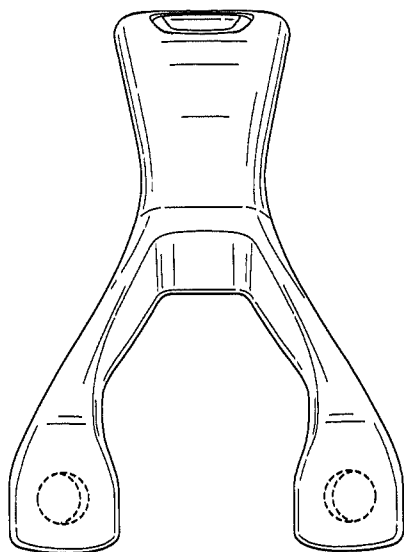


FIG. 5

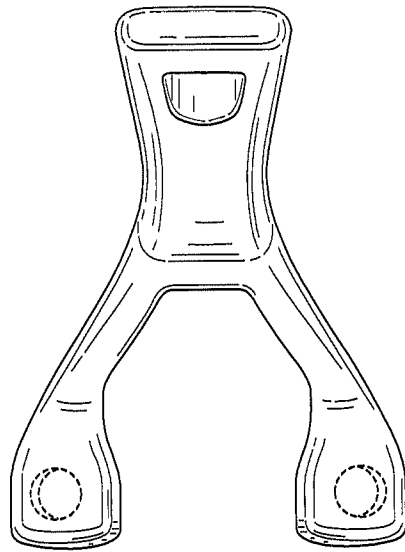


FIG. 6

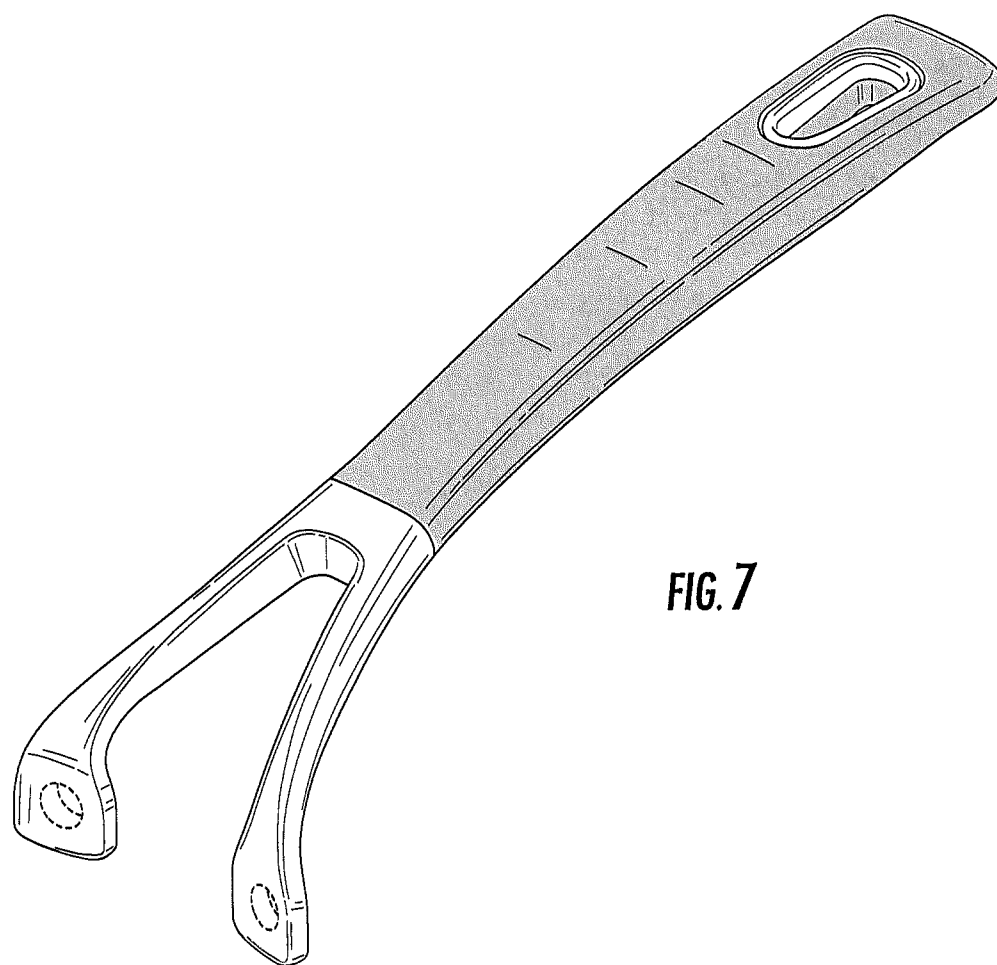


FIG. 7

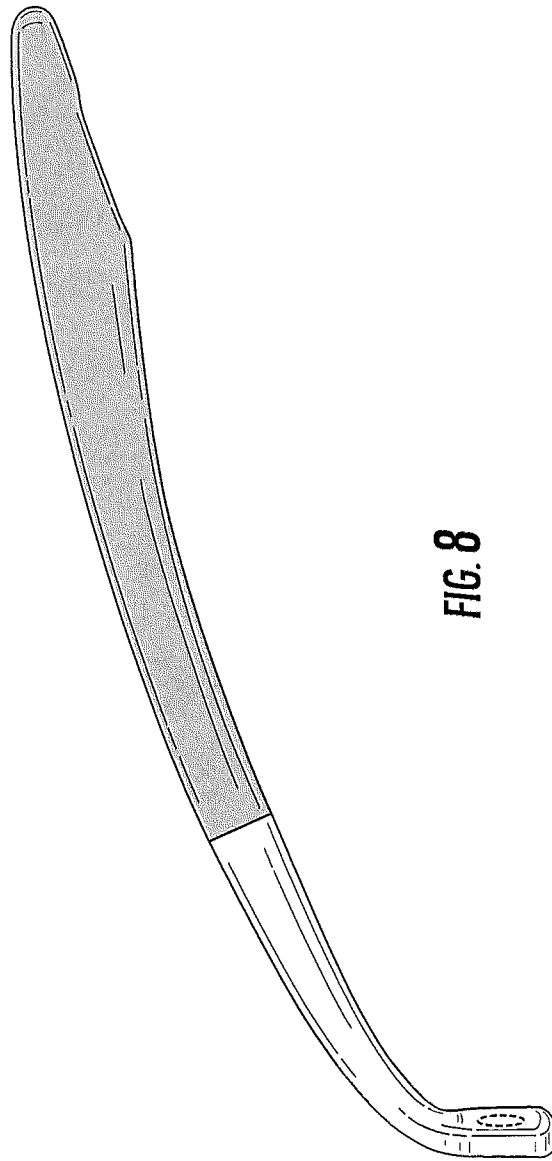


FIG. 8

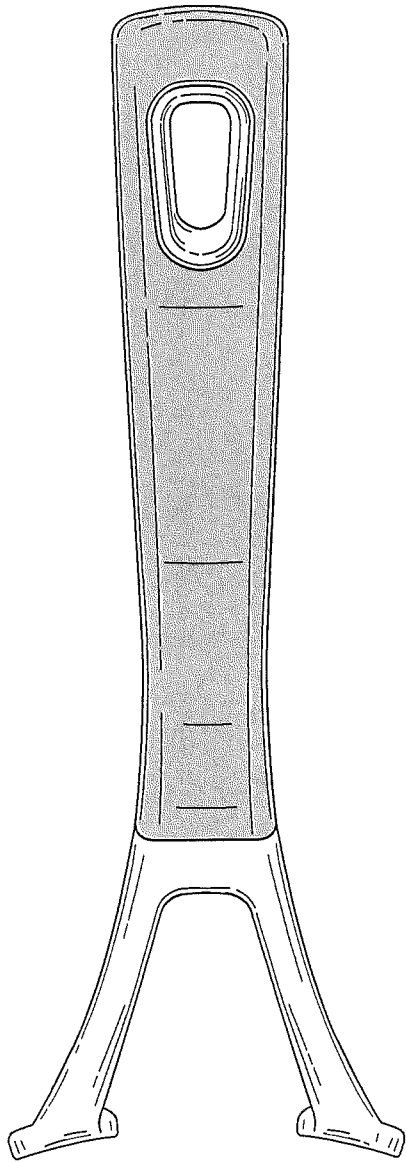


FIG. 9

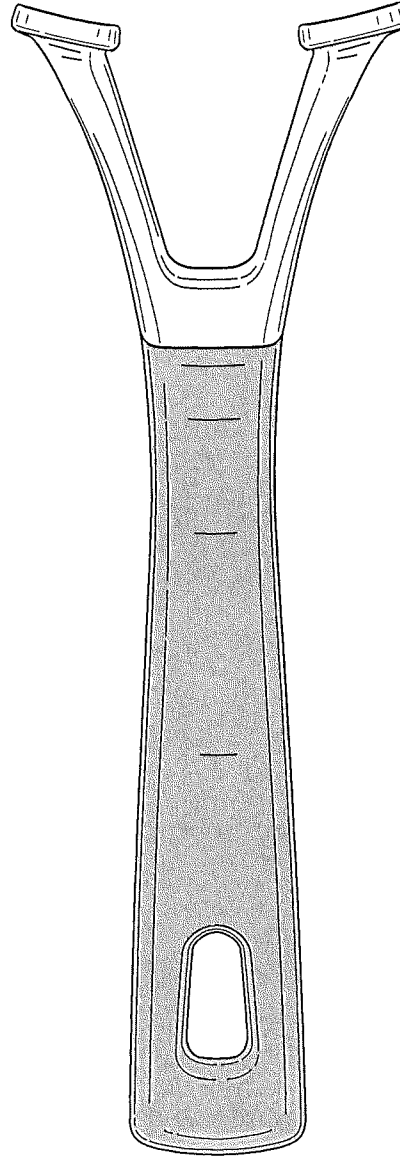


FIG. 10

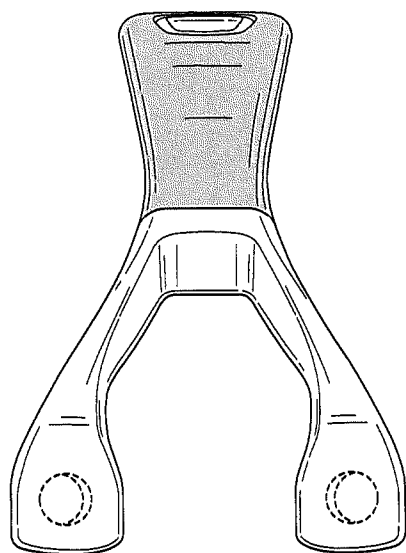


FIG. 11

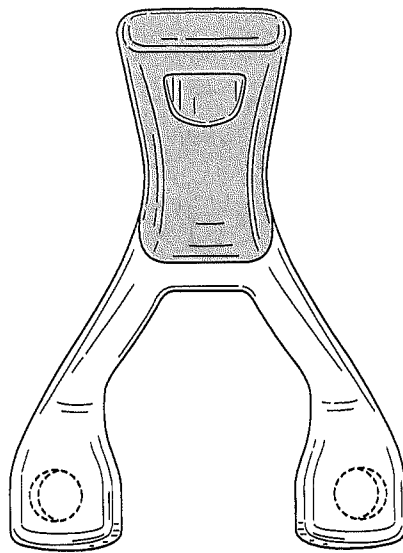


FIG. 12