



US00D621458S

(12) **United States Design Patent**
Serrano et al.

(10) **Patent No.:** **US D621,458 S**

(45) **Date of Patent:** **** Aug. 10, 2010**

(54) **GOLF CLUB HEAD**

(75) Inventors: **Anthony D. Serrano**, Anthem, AZ (US);
Xiaojian Chen, Phoenix, AZ (US);
Brian J. McGuire, Tempe, AZ (US)

(73) Assignee: **Karsten Manufacturing Corporation**,
Phoenix, AZ (US)

(**) Term: **14 Years**

(21) Appl. No.: **29/358,700**

(22) Filed: **Mar. 31, 2010**

(51) **LOC (9) Cl.** **21-02**

(52) **U.S. Cl.** **D21/736**

(58) **Field of Classification Search** D21/736-746,
D21/759; 473/324-331, 341-342, 251-256
See application file for complete search history.

(56) **References Cited**

U.S. PATENT DOCUMENTS

1,897,264 A	2/1933	Lamb	
1,901,562 A	3/1933	Main	
2,014,829 A	9/1935	Young	
2,486,952 A	11/1949	Kearsley et al.	
3,042,405 A	7/1962	Solheim	
D235,668 S	7/1975	Swash	
3,954,265 A	5/1976	Taylor	
4,222,566 A	9/1980	Berry	
4,390,184 A	6/1983	Rudell	
4,695,054 A	9/1987	Tunstall	
4,714,252 A	12/1987	Roraback	
4,722,528 A	2/1988	Tsao	
4,741,535 A	5/1988	Leonhardt	
4,834,387 A	5/1989	Waites et al.	
D323,867 S *	2/1992	Rizzotto D21/740
D324,555 S	3/1992	Evans	
D333,331 S	2/1993	Evans	

5,211,401 A	5/1993	Hainey
D342,112 S	12/1993	Diesterheft
5,320,346 A	6/1994	Phillips
5,320,353 A	6/1994	Moore
5,324,031 A	6/1994	Green
D356,846 S	3/1995	Murrill

(Continued)

OTHER PUBLICATIONS

Serrano, et al., "Golf Club Head," U.S. Appl. No. 29/358,701, filed Mar. 31, 2010.

(Continued)

Primary Examiner—Mitchell I Siegel

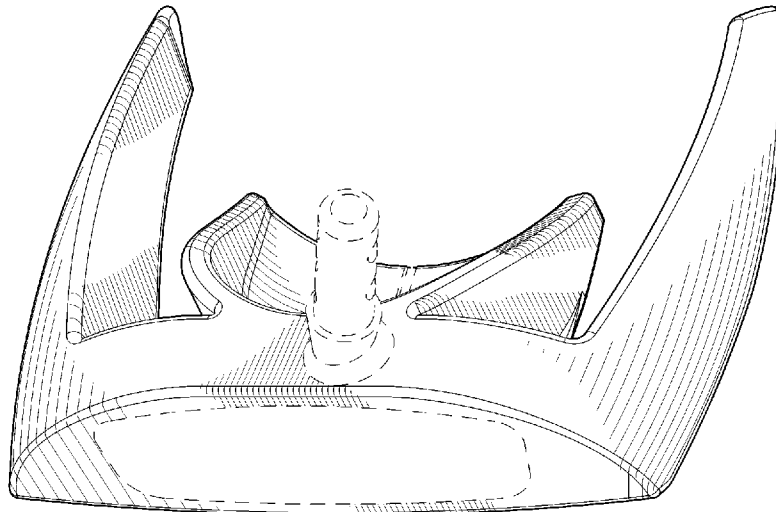
(57) **CLAIM**

The ornamental design for a golf club head, as shown and described.

DESCRIPTION

FIG. 1 is a top perspective view of a golf club head;
 FIG. 2 is a bottom perspective view of the golf club head of FIG. 1;
 FIG. 3 is a top view of the golf club head of FIG. 1;
 FIG. 4 is a bottom view of the golf club head of FIG. 1;
 FIG. 5 is a front elevational view of the golf club head of FIG. 1;
 FIG. 6 is a rear elevational view of the golf club head of FIG. 1;
 FIG. 7 is a left side view of the golf club head of FIG. 1; and,
 FIG. 8 is a right side view of the golf club head of FIG. 1.
 The broken lines shown in one or more of the figures are for illustrative purposes only and form no part of the claimed design.

1 Claim, 4 Drawing Sheets



US D621,458 S

U.S. PATENT DOCUMENTS

5,482,281 A	1/1996	Anderson		D574,907 S	8/2008	Jones et al.	
5,580,058 A	12/1996	Coughlin		D574,908 S *	8/2008	Hettinger et al.	D21/743
5,716,290 A	2/1998	Baker et al.		D575,366 S	8/2008	Rollinson	
5,820,481 A	10/1998	Raudman		D577,398 S *	9/2008	Hilton	D21/744
6,402,638 B1	6/2002	Kelley		D579,505 S	10/2008	Jones	
D477,041 S	7/2003	Cameron		7,455,599 B2	11/2008	Jones	
6,634,956 B1	10/2003	Pegg		D582,497 S *	12/2008	Rollinson	D21/744
6,663,497 B2	12/2003	Cameron		D585,510 S	1/2009	Murrieta	
D488,200 S	4/2004	Olsavsky et al.		7,481,713 B2	1/2009	Beckman	
D494,237 S	8/2004	Ware		D587,325 S	2/2009	Solheim et al.	
D499,778 S	12/2004	Cameron		D589,575 S *	3/2009	Kim et al.	D21/744
D500,109 S	12/2004	Solheim et al.		D590,035 S *	4/2009	Hilton	D21/744
D500,110 S	12/2004	Solheim et al.		D590,461 S	4/2009	Kim et al.	
D500,539 S	1/2005	Holloway		D591,371 S *	4/2009	Hilton	D21/736
D502,234 S	2/2005	Grace		D591,372 S	4/2009	Tang et al.	
D502,748 S	3/2005	Burrows		D591,806 S	5/2009	Cameron	
D505,702 S	5/2005	Wood		D591,807 S	5/2009	Rollinson	
D506,796 S	6/2005	Li		D592,717 S	5/2009	Rollinson	
D507,613 S	7/2005	Baiocchi		D594,073 S	6/2009	Kadoya	
D508,273 S	8/2005	Garner et al.		D594,517 S	6/2009	Tang et al.	
D510,394 S	10/2005	Tang et al.		D594,917 S	6/2009	Stellander	
6,960,140 B2	11/2005	Solheim et al.		D595,372 S	6/2009	Rollinson	
6,966,845 B2	11/2005	Solheim et al.		D595,373 S *	6/2009	Kim et al.	D21/744
D513,050 S *	12/2005	Grimaldo	D21/743	D595,793 S	7/2009	Rollinson	
D514,182 S	1/2006	Olsavsky et al.		D596,685 S	7/2009	Wallans	
D515,646 S	2/2006	Perry		D599,423 S	9/2009	Serrano et al.	
7,004,849 B2	2/2006	Cameron		D599,424 S	9/2009	Serrano et al.	
D517,143 S	3/2006	Petsel et al.		D599,425 S	9/2009	Laub	
D518,127 S	3/2006	Tang et al.		D599,868 S	9/2009	Serrano et al.	
D520,583 S	5/2006	Rollinson et al.		D599,869 S	9/2009	Serrano et al.	
D521,582 S	5/2006	Souza et al.		D599,870 S	9/2009	Serrano et al.	
7,052,411 B2	5/2006	Solheim et al.		D600,298 S	9/2009	Serrano et al.	
D522,598 S	6/2006	Solheim et al.		D600,760 S	9/2009	Serrano et al.	
7,077,758 B2	7/2006	Rohrer		D600,761 S	9/2009	Solheim et al.	
D527,777 S	9/2006	Solheim et al.		D600,762 S	9/2009	Serrano et al.	
D529,560 S	10/2006	Madore		D601,214 S	9/2009	Serrano et al.	
D532,842 S	11/2006	Jones et al.		D603,008 S	10/2009	Donahue	
D532,843 S	11/2006	Jones et al.		7,601,076 B2	10/2009	Rollinson	
D532,845 S *	11/2006	Rollinson	D21/736	D604,787 S *	11/2009	Hopkins	D21/791
D532,846 S	11/2006	Lee et al.		D606,139 S	12/2009	Ines et al.	
D533,243 S	12/2006	Fife, Jr. et al.		7,645,199 B2	1/2010	Cameron	
D533,609 S	12/2006	Moore et al.		2003/0228925 A1	12/2003	Rohrer	
7,147,569 B2	12/2006	Tang et al.		2007/0021229 A1	1/2007	Haack	
D534,974 S *	1/2007	Haack	D21/743	2007/0049402 A1	3/2007	Sanchez et al.	
D536,400 S	2/2007	DiBattista, Sr.		2007/0298904 A1	12/2007	Dworzan	
D537,135 S	2/2007	Rollinson et al.		2009/0029800 A1	1/2009	Jones et al.	
D539,860 S	4/2007	Fussell		2009/0105008 A1	4/2009	Kuan et al.	
D542,873 S	5/2007	Oldknow		2009/0170629 A1	7/2009	Hilton	
D545,385 S	6/2007	Tang et al.		2009/0270196 A1	10/2009	Solheim et al.	
D548,295 S	8/2007	Jertson et al.		2009/0270198 A1	10/2009	Solheim et al.	
7,255,650 B2	8/2007	Braynt et al.		2009/0305806 A1	12/2009	Campadore et al.	
D552,197 S	10/2007	Wells et al.		2009/0305807 A1	12/2009	Solheim et al.	
D557,361 S	12/2007	Rollinson					
7,326,121 B2	2/2008	Roake					
D564,606 S	3/2008	Oldknow et al.					
D564,607 S	3/2008	Oldknow et al.					
D565,138 S	3/2008	Wilson					
D568,954 S *	5/2008	Oldknow et al.	D21/759				
D569,461 S	5/2008	Morris					
D569,462 S	5/2008	Rollinson					
D571,877 S	6/2008	Jones et al.					
D571,879 S	6/2008	Jones et al.					
7,390,267 B2	6/2008	Grace					
D573,673 S *	7/2008	Noyes	D21/736				

OTHER PUBLICATIONS

Serrano et al., "Golf Club Head," U.S. Appl. No. 29/358,702, filed Mar. 31, 2010.
 Serrano et al., "Golf Club Head," U.S. Appl. No. 29/358,703, filed Mar. 31, 2010.
 Serrano et al., "Golf Club Head," U.S. Appl. No. 29/358,704, filed Mar. 31, 2010.
 Serrano et al., "Golf Club Head," U.S. Appl. No. 29/358,707, filed Mar. 31, 2010.
 Serrano et al., "Golf Club Head," U.S. Appl. No. 29/358,709, filed Mar. 31, 2010.

* cited by examiner

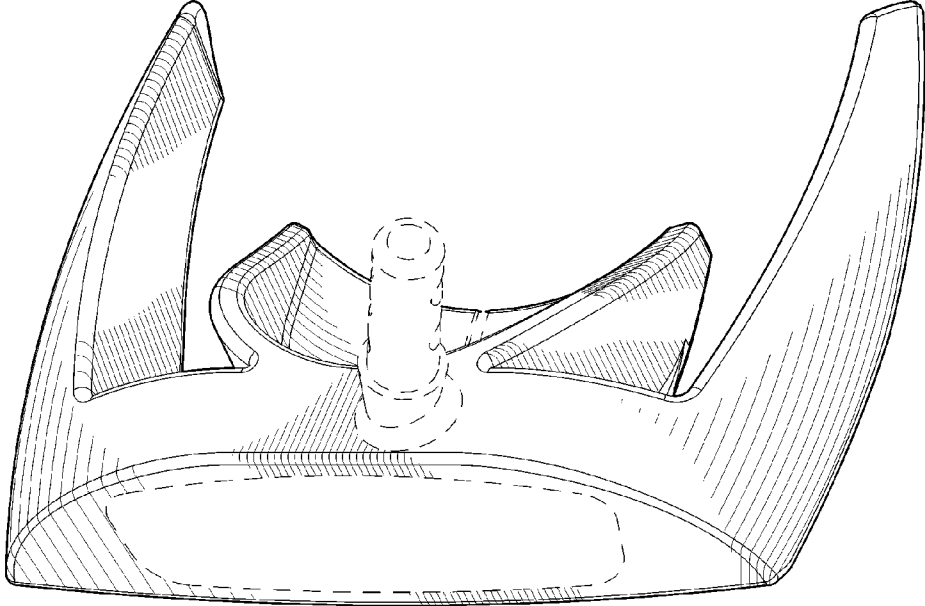


Fig. 1

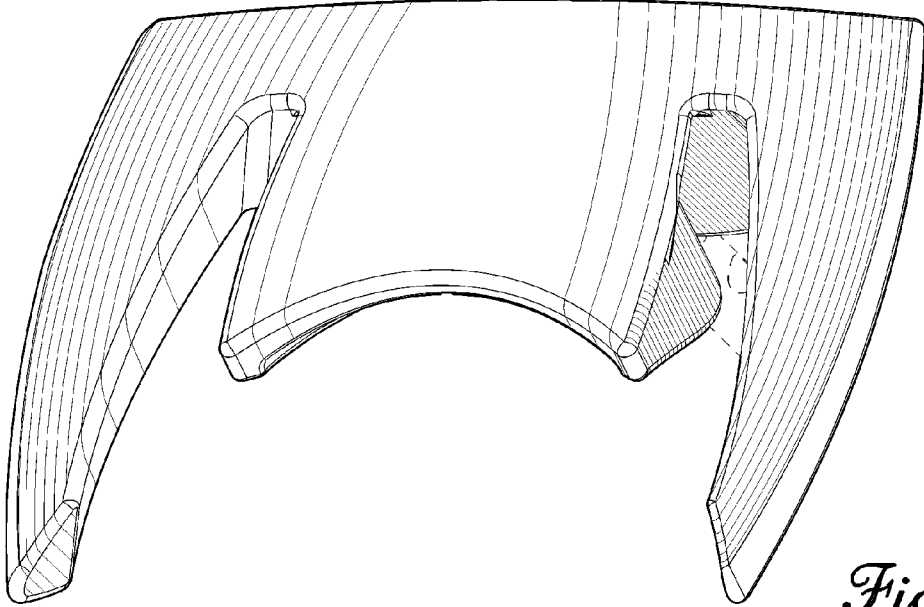


Fig. 2

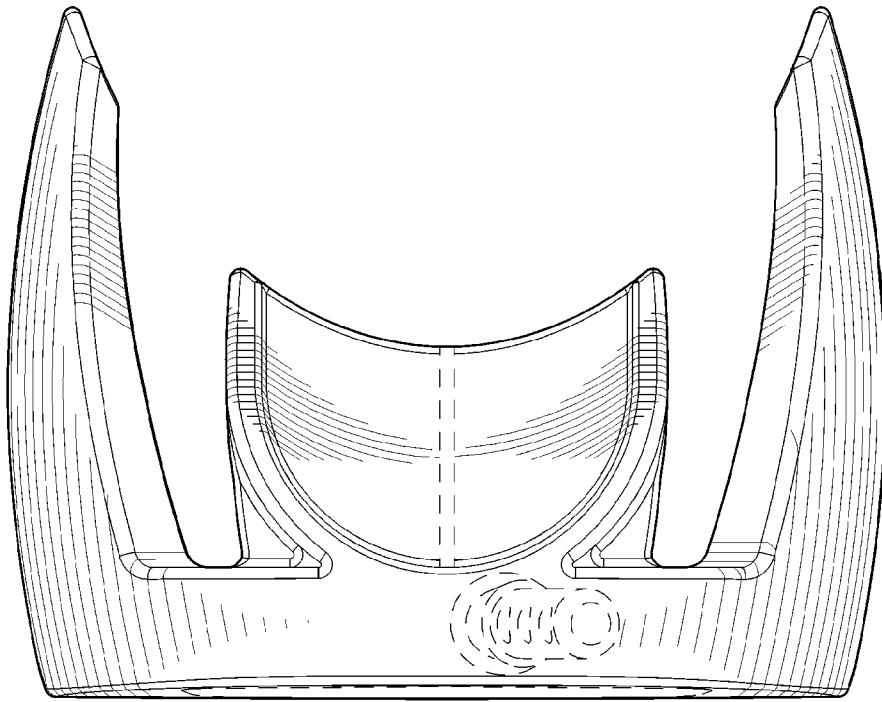


Fig. 3

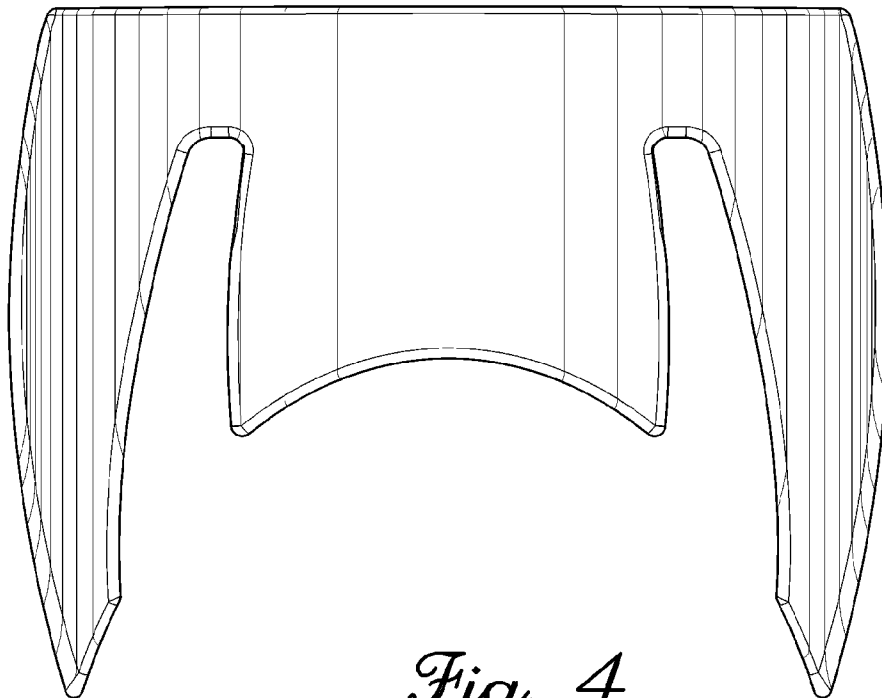


Fig. 4

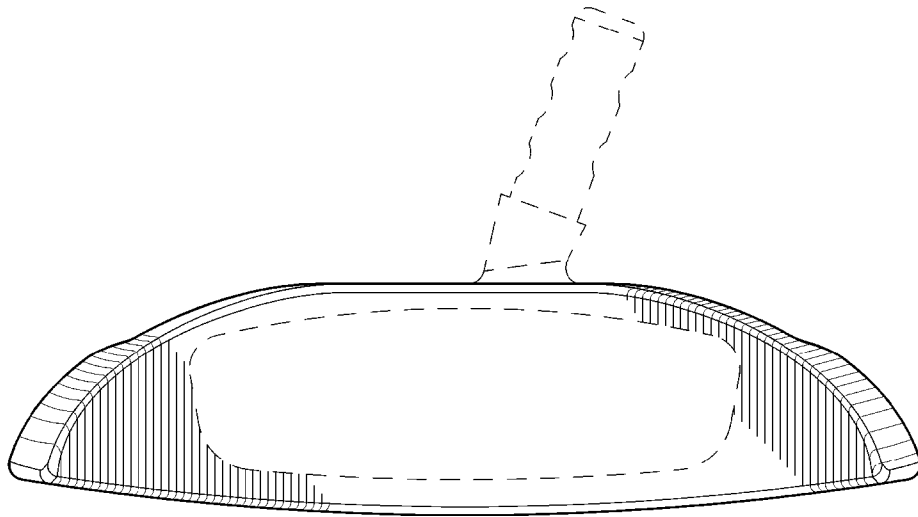


Fig. 5

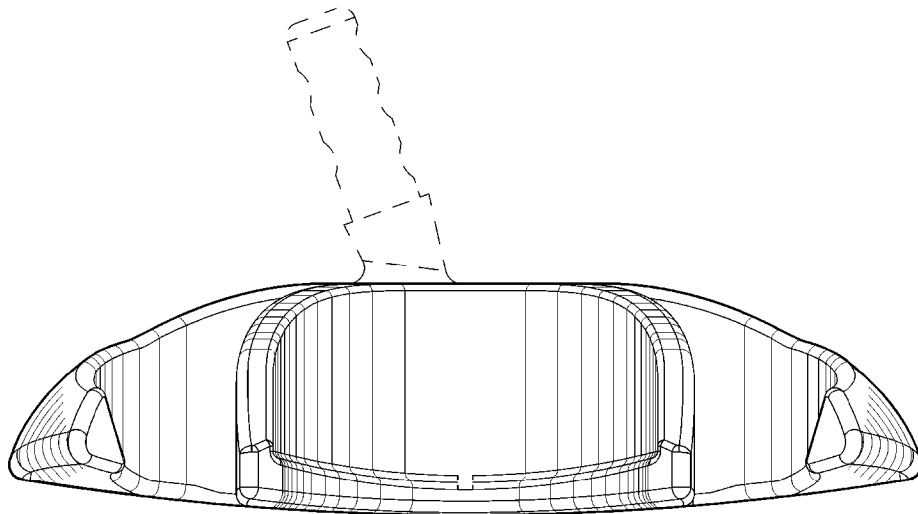


Fig. 6

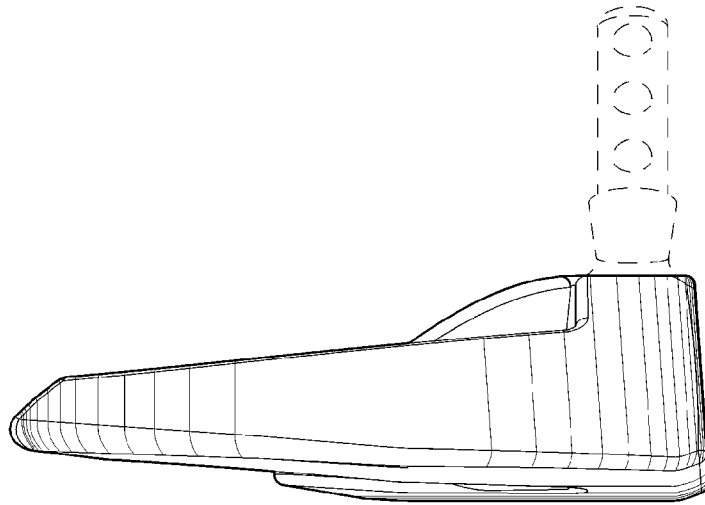


Fig. 7

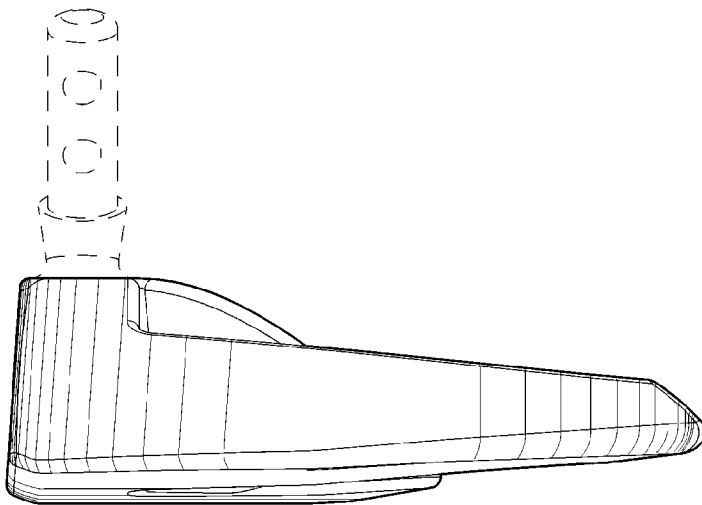


Fig. 8