



US00D983986S

(12) **United States Design Patent**  
**Cheng**

(10) **Patent No.:** **US D983,986 S**

(45) **Date of Patent:** **\*\* Apr. 18, 2023**

- (54) **MASSAGE GUN**
- (71) Applicant: **Guomei Cheng**, Jiangsu (CN)
- (72) Inventor: **Guomei Cheng**, Jiangsu (CN)
- (73) Assignee: **NANJING YUNKAI MACHINERY CO., LTD**, Nanjing (CN)
- (\*\*) Term: **15 Years**
- (21) Appl. No.: **29/752,472**
- (22) Filed: **Sep. 28, 2020**
- (51) **LOC (14) Cl.** ..... **28-03**
- (52) **U.S. Cl.** ..... **D24/215**  
USPC ..... **D24/215**
- (58) **Field of Classification Search**  
USPC ..... D24/215, 200, 211, 212, 213, 214, 133, D24/107, 231, 184; D8/14.1, 61; D28/12, 13  
CPC ..... A61H 15/00; A61H 2015/0007; A61H 2015/0042; A61H 15/0092; A61H 15/0078; A61H 15/0085; A61H 23/00; A61H 23/006; A61H 2023/002; A61H 23/02; A61H 2201/0153; A61H 7/00; A61H 7/003; A61H 7/004; A61H 7/005; A61H 9/00; A61H 2205/06  
See application file for complete search history.

D895,133	S	*	9/2020	Xu	.....	D24/215
D896,396	S	*	9/2020	Wersland	.....	D24/215
D898,209	S	*	10/2020	Xu	.....	D24/214
D925,755	S	*	7/2021	Zheng	.....	D24/215
D949,390	S	*	4/2022	Wersland	.....	D24/215
2017/0304145	A1	*	10/2017	Pepe	.....	A61H 23/02
2020/0261306	A1	*	8/2020	Pepe	.....	A61H 23/006
2020/0268594	A1	*	8/2020	Pepe	.....	A61H 15/0085
2020/0352820	A1	*	11/2020	Nazarian	.....	H02K 11/26

**OTHER PUBLICATIONS**

Recoveryvolt—RecoveryPro Massage Gun. Date: Dec. 18, 2019. [online]. [Site visited Apr. 7, 2022]. Available from Internet URL: <https://www.amazon.com/dp/B07RGR LH5L> (Year: 2019).\*

RxGun—QUIETec Vibration Percussion Massager. Date: Dec. 1, 2018. [online]. [Site visited Apr. 22, 2022]. Available from Internet URL: <https://us.amazon.com/dp/B07MCYXYW8/> (Year: 2018).\*

(Continued)

*Primary Examiner* — Eliza Z Harvey  
*Assistant Examiner* — Landon Thomas Cassell  
 (74) *Attorney, Agent, or Firm* — Georgi Korobanov

(57) **CLAIM**

The ornamental design for a massage gun, as shown and described.

**DESCRIPTION**

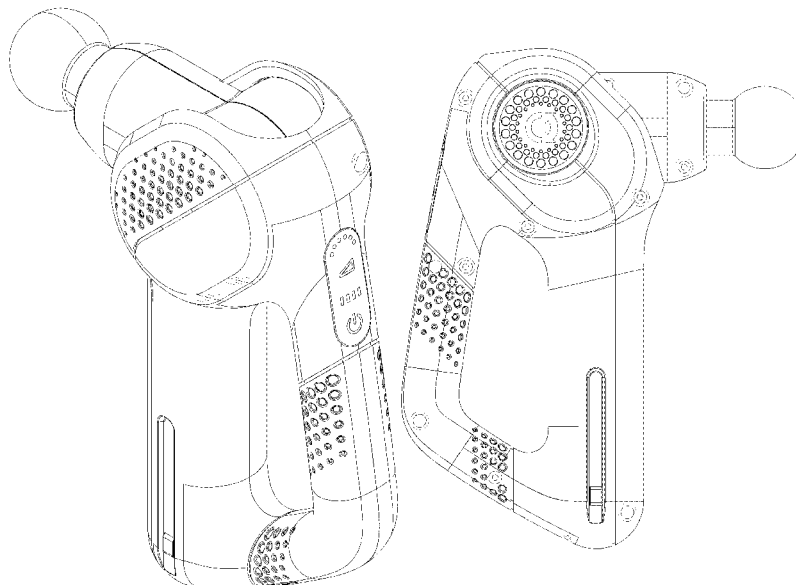
FIG. 1 is a perspective view of a massage gun showing my new design;  
 FIG. 2 is a front elevational view thereof;  
 FIG. 3 is a rear elevational view thereof;  
 FIG. 4 is a left side elevational view thereof;  
 FIG. 5 is a right side elevational view thereof;  
 FIG. 6 is a top plan view thereof; and,  
 FIG. 7 is a bottom plan view thereof.  
 The broken lines in the drawings depict portions of the massage gun and form no part of the claimed design.

**1 Claim, 5 Drawing Sheets**

(56) **References Cited**

**U.S. PATENT DOCUMENTS**

D457,044	S	*	5/2002	Cheng	.....	D8/29.1
D679,561	S	*	4/2013	Price	.....	D8/29.1
D742,708	S	*	11/2015	Howell	.....	D8/29.1
10,428,850	B2	*	10/2019	Wersland	.....	A61H 1/008
D872,869	S	*	1/2020	Lu	.....	D24/215
D877,351	S	*	3/2020	Wersland	.....	D24/215
D879,986	S	*	3/2020	Wersland	.....	D24/214
D893,738	S	*	8/2020	Zhuang	.....	D24/215



(56)

**References Cited**

OTHER PUBLICATIONS

Massagers. (Design-© Questel) orbit.com. [Online PDF compilation of references] 51 pgs. Print Dates Range Jan. 22, 2019-Oct. 27, 2020 [Retrieved Apr. 21, 2022] <https://www.orbit.com/export/UCZAH96B/pdf4/aa224af4-0953-490a-ae0c-d058744d2dec-201826.pdf> (Year: 2022).\*

\* cited by examiner

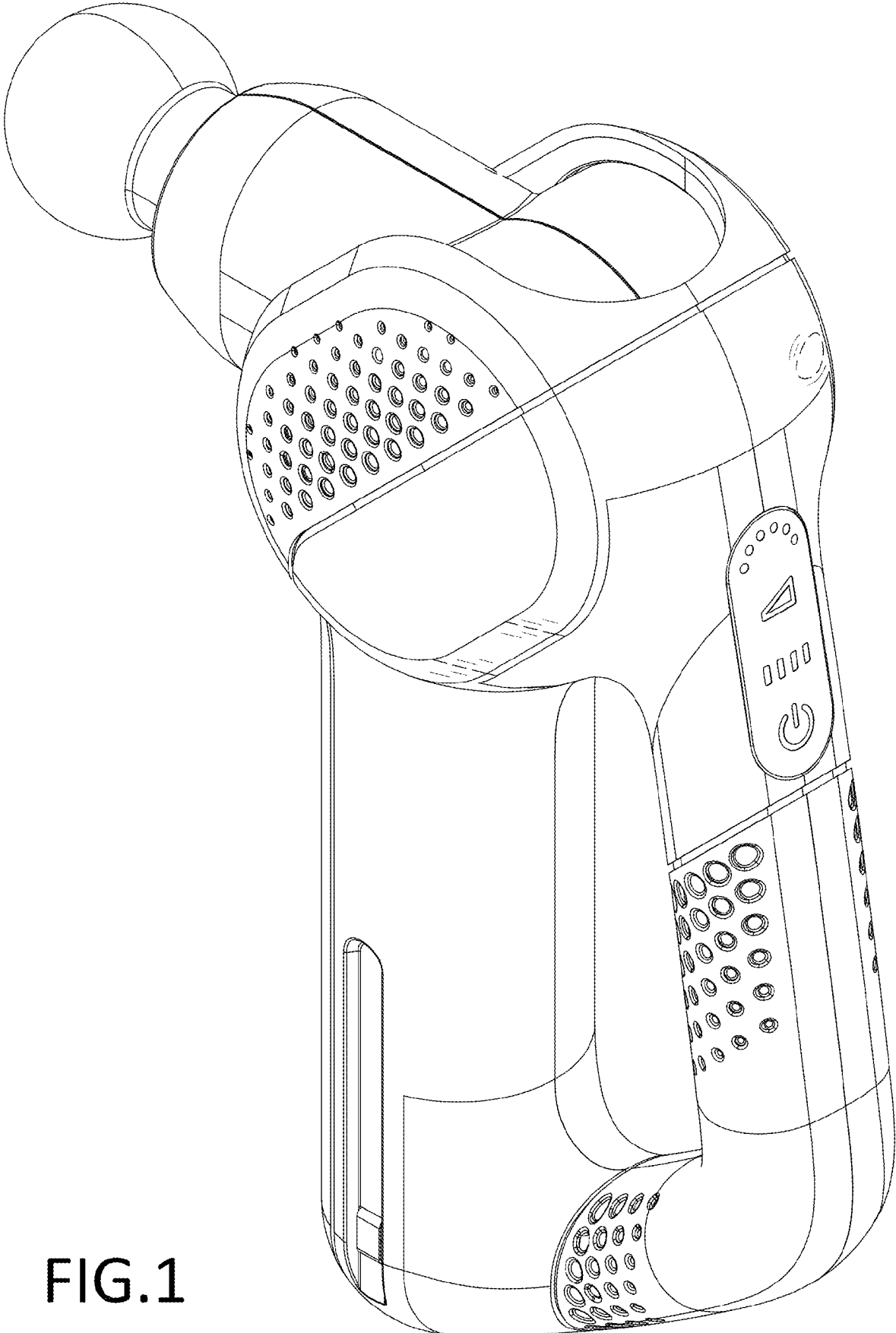


FIG.1

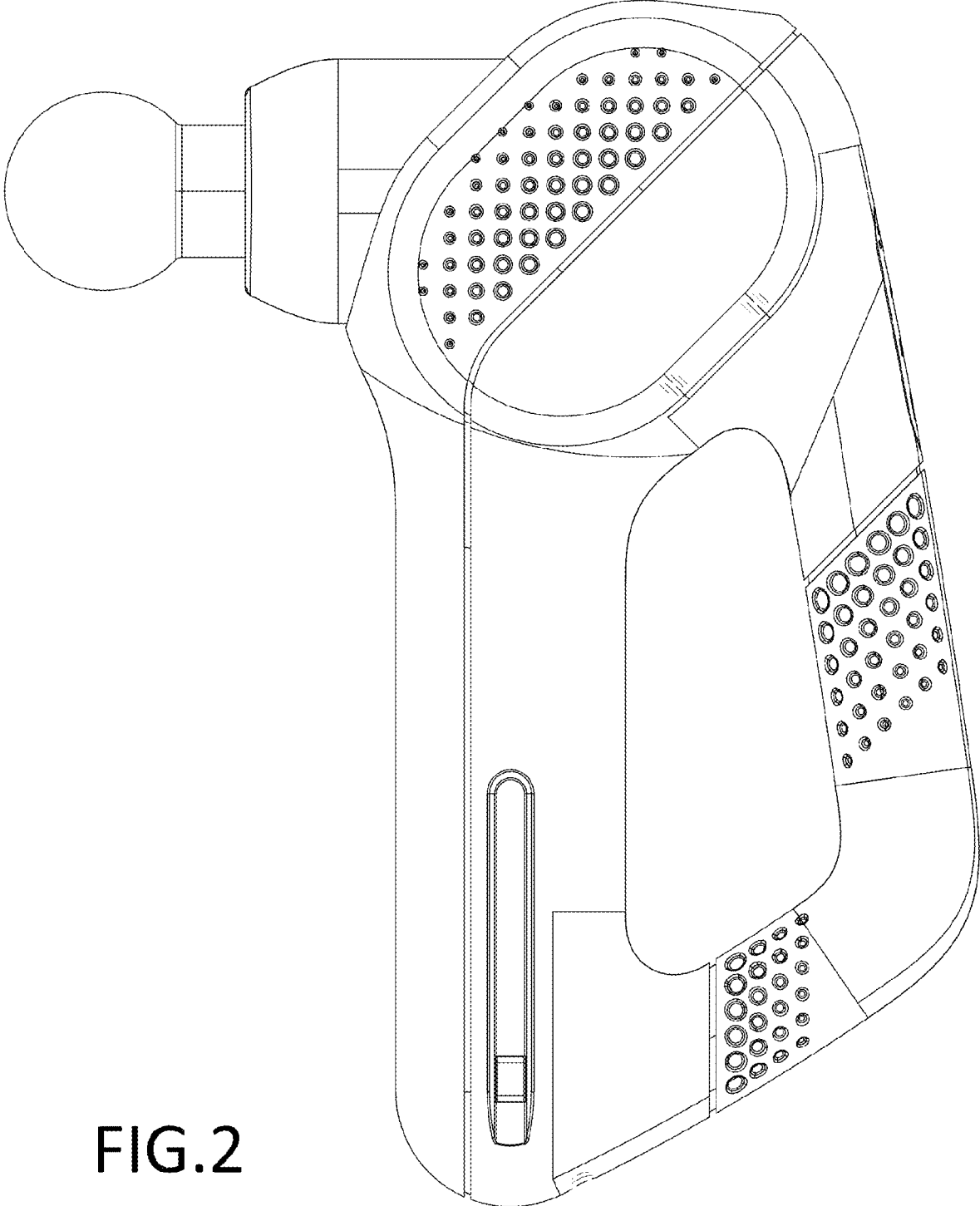


FIG.2

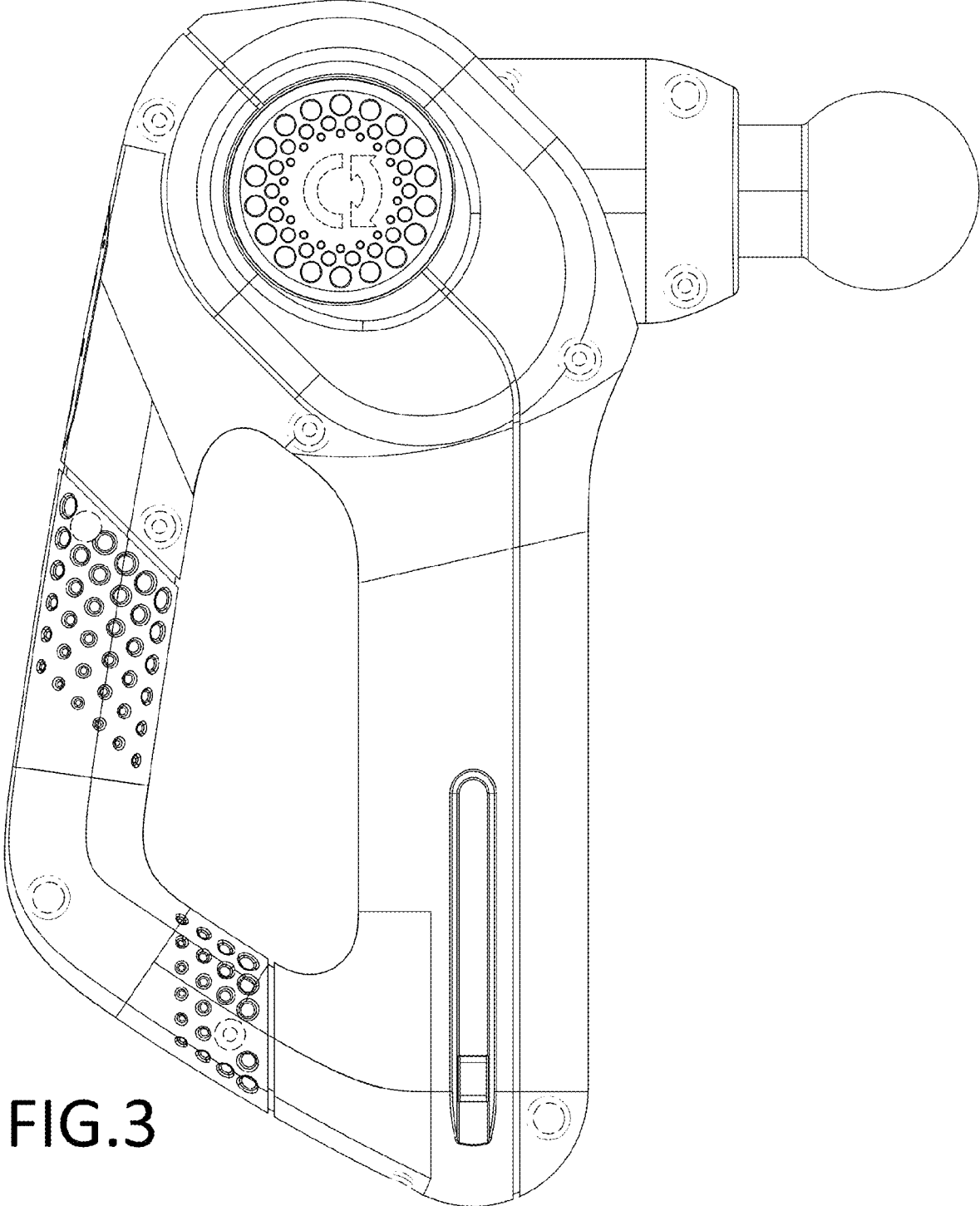


FIG.3

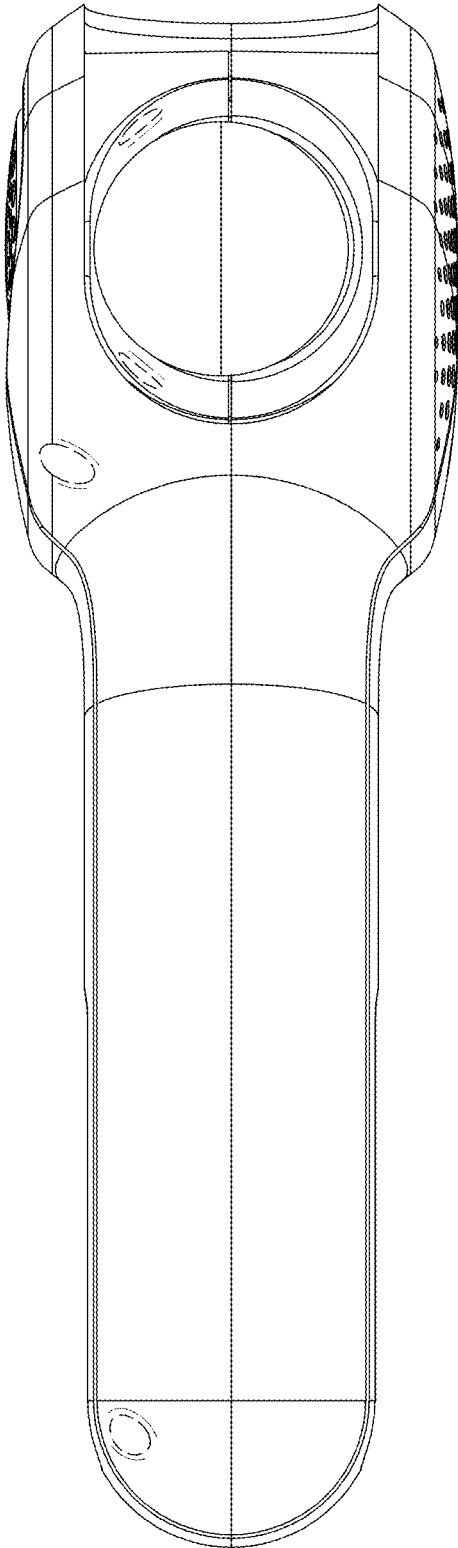


FIG. 4

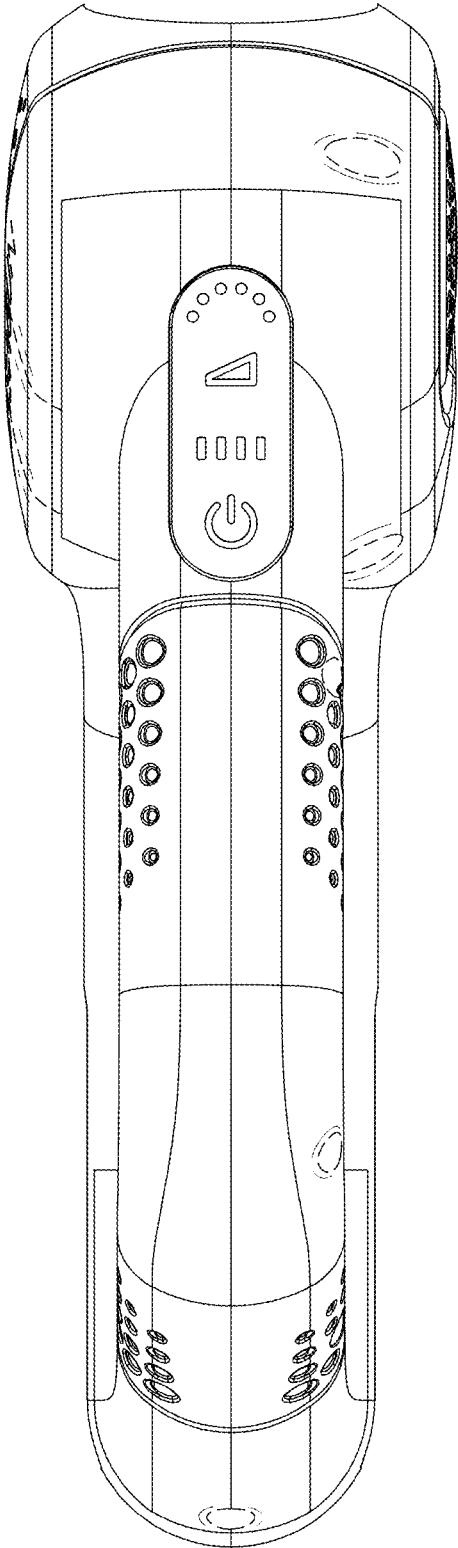


FIG. 5

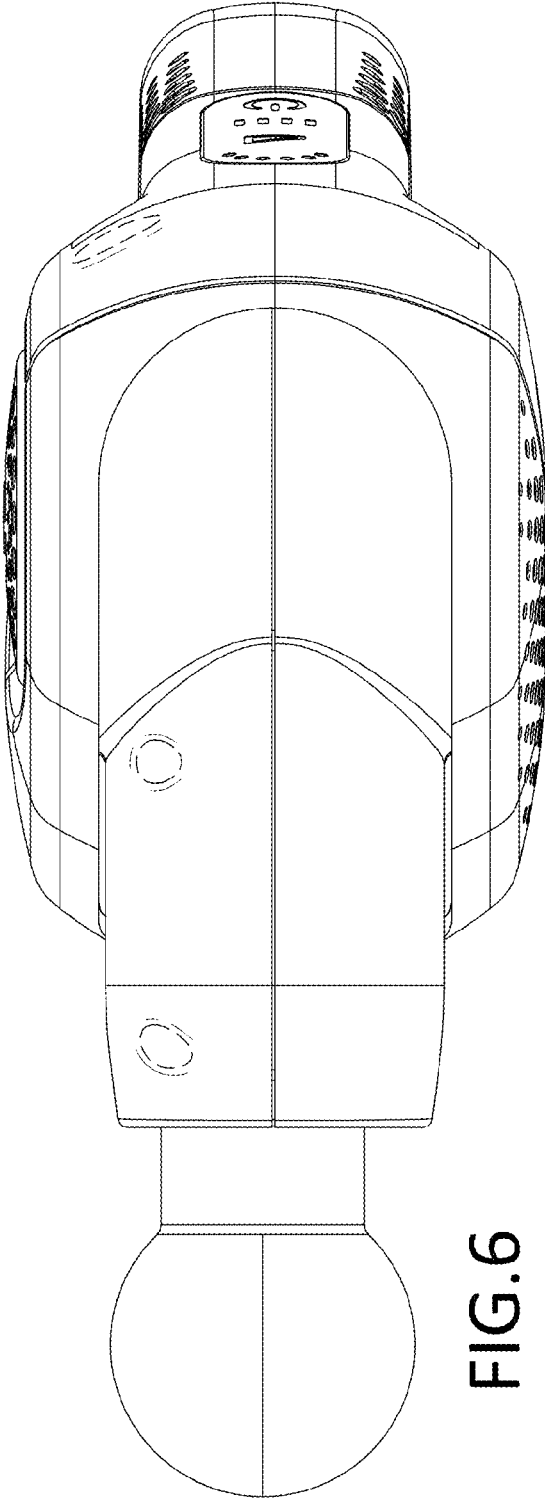


FIG. 6

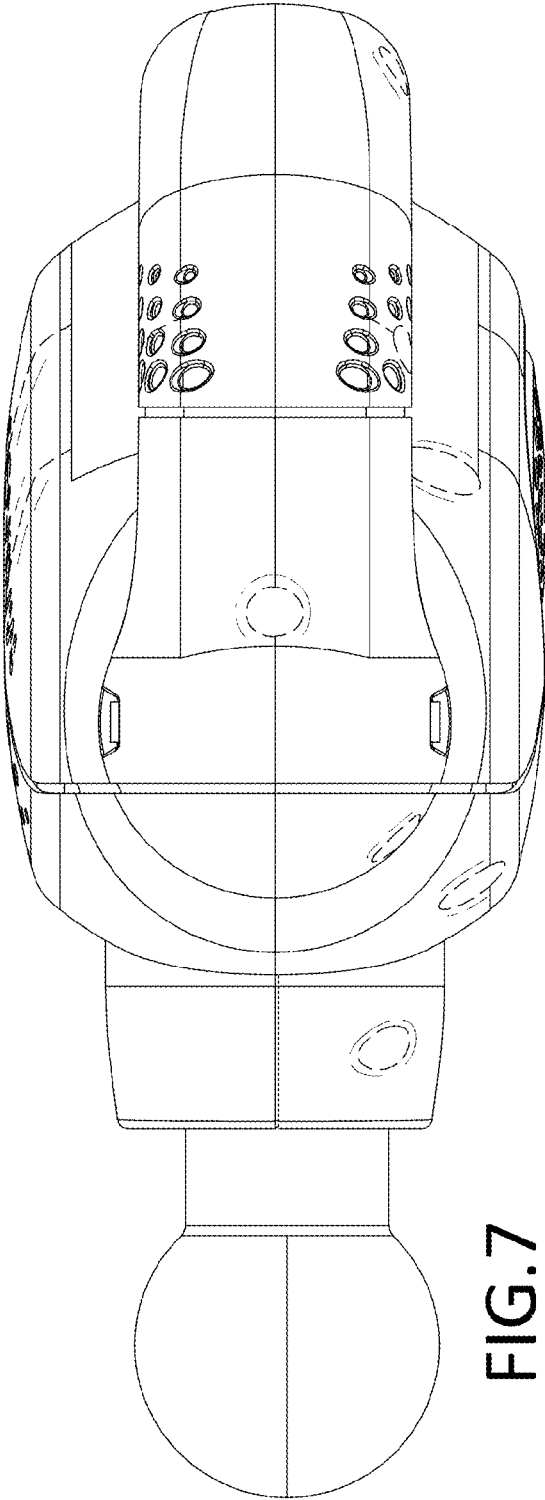


FIG. 7