

(19) World Intellectual Property Organization  
International Bureau



(43) International Publication Date  
10 May 2001 (10.05.2001)

PCT

(10) International Publication Number  
**WO 01/32456 A3**

(51) International Patent Classification<sup>7</sup>: **B60J 5/04**

E.: 6852 North Crest Way East, Clarkston, MI 48346 (US).  
**MERCIER, Larry, A., Jr.**; 6430 Dewey Drive, Troy, MI 48098 (US).

(21) International Application Number: PCT/US00/41661

(22) International Filing Date: 27 October 2000 (27.10.2000)

(74) Agents: **SCHIVLEY, G., Gregory** et al.; Harness, Dickey & Pierce, P.L.C., P.P. Box 828, Bloomfield Hills, MI 48303 (US).

(25) Filing Language: English

(26) Publication Language: English

(30) Priority Data:  
09/433,912 3 November 1999 (03.11.1999) US

(81) Designated States (*national*): AE, AL, AM, AT, AU, AZ, BA, BB, BG, BR, BY, CA, CH, CN, CR, CU, CZ, DE, DK, DM, EE, ES, FI, GB, GD, GE, GH, GM, HR, HU, ID, IL, IN, IS, JP, KE, KG, KP, KR, KZ, LC, LK, LR, LS, LT, LU, LV, MA, MD, MG, MK, MN, MW, MX, NO, NZ, PL, PT, RO, RU, SD, SE, SG, SI, SK, SL, TJ, TM, TR, TT, TZ, UA, UG, UZ, VN, YU, ZA, ZW.

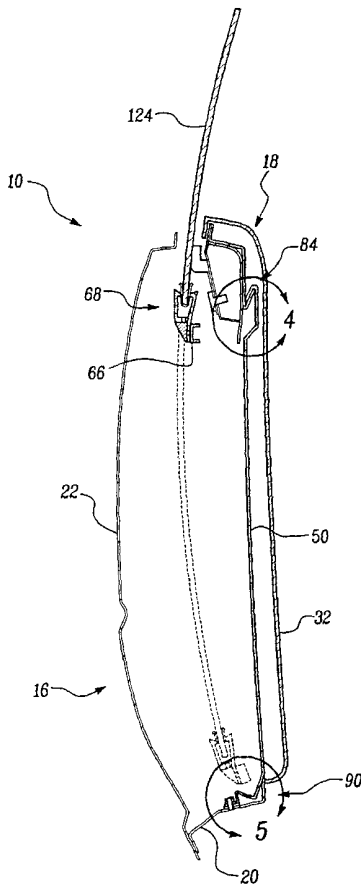
(71) Applicant: **THE BUDD COMPANY** [US/US]; 3155 West Big Beaver Road, Troy, MI 48084 (US).

(72) Inventors: **PACELLA, John, P.**; 2997 Rhineberry, Rochester Hills, MI 48309 (US). **MROZOWSKI, Joseph**,

(84) Designated States (*regional*): ARIPO patent (GH, GM, KE, LS, MW, MZ, SD, SL, SZ, TZ, UG, ZW), Eurasian patent (AM, AZ, BY, KG, KZ, MD, RU, TJ, TM), European

[Continued on next page]

(54) Title: MODULAR DOOR



(57) Abstract: A door (10) includes a door shell (16) coupled to a door module (18). The door shell (16) includes an outer panel (22) secured to an inner panel (20), the inner panel (20) having an opening therein. The door shell (16) defines a hollow cavity. The door module (18) includes a cassette (30) and an interior trim panel (32) coupled to the cassette (30). The door module (18) further includes an attachment mechanism (84,90) for securing the door module (18) to the door shell (16). The attachment mechanism (84,90) is visually hidden during normal operation of the door (10). The cassette (30) is cooperative with the inner panel (20) to provide a positive rest position prior to securing the door module (18) to the door shell (16).



**WO 01/32456 A3**



patent (AT, BE, CH, CY, DE, DK, ES, FI, FR, GB, GR, IE, IT, LU, MC, NL, PT, SE), OAPI patent (BF, BJ, CF, CG, CI, CM, GA, GN, GW, ML, MR, NE, SN, TD, TG).

**(88) Date of publication of the international search report:**  
6 December 2001

**Published:**

— with international search report

*For two-letter codes and other abbreviations, refer to the "Guidance Notes on Codes and Abbreviations" appearing at the beginning of each regular issue of the PCT Gazette.*

INTERNATIONAL SEARCH REPORT

International Application No  
PCT/US 00/41661

A. CLASSIFICATION OF SUBJECT MATTER  
IPC 7 B60J5/04

According to International Patent Classification (IPC) or to both national classification and IPC

B. FIELDS SEARCHED

Minimum documentation searched (classification system followed by classification symbols)

IPC 7 B60J

Documentation searched other than minimum documentation to the extent that such documents are included in the fields searched

Electronic data base consulted during the international search (name of data base and, where practical, search terms used)

EPO-Internal, WPI Data

C. DOCUMENTS CONSIDERED TO BE RELEVANT

Category °	Citation of document, with indication, where appropriate, of the relevant passages	Relevant to claim No.
X	DE 195 26 367 A (KUESTER & CO GMBH) 22 February 1996 (1996-02-22) figures 1-5	1-3, 14, 15, 17
X	DE 197 55 450 C (BROSE FAHRZEUGTEILE) 15 April 1999 (1999-04-15) figures 1,2	1-3, 14, 15 17
A		
X	US 5 927 020 A (KOBREHEL MICHAEL D) 27 July 1999 (1999-07-27) figures 1-4	1-3, 14, 15 17
A		
X	EP 0 286 923 A (BUDD CO) 19 October 1988 (1988-10-19) figures 1-4	1-3, 14, 15 17
A		
	-/--	

Further documents are listed in the continuation of box C.

Patent family members are listed in annex.

° Special categories of cited documents :

- \*A\* document defining the general state of the art which is not considered to be of particular relevance
- \*E\* earlier document but published on or after the international filing date
- \*L\* document which may throw doubts on priority claim(s) or which is cited to establish the publication date of another citation or other special reason (as specified)
- \*O\* document referring to an oral disclosure, use, exhibition or other means
- \*P\* document published prior to the international filing date but later than the priority date claimed

- \*T\* later document published after the international filing date or priority date and not in conflict with the application but cited to understand the principle or theory underlying the invention
- \*X\* document of particular relevance; the claimed invention cannot be considered novel or cannot be considered to involve an inventive step when the document is taken alone
- \*Y\* document of particular relevance; the claimed invention cannot be considered to involve an inventive step when the document is combined with one or more other such documents, such combination being obvious to a person skilled in the art.
- \* & \* document member of the same patent family

Date of the actual completion of the international search

27 April 2001

Date of mailing of the international search report

11/05/2001

Name and mailing address of the ISA

European Patent Office, P.B. 5818 Patentlaan 2  
NL - 2280 HV Rijswijk  
Tel. (+31-70) 340-2040, Tx. 31 651 epo nl,  
Fax: (+31-70) 340-3016

Authorized officer

Thomas, C

INTERNATIONAL SEARCH REPORT

International Application No

PCT/US 00/41661

C.(Continuation) DOCUMENTS CONSIDERED TO BE RELEVANT

Category °	Citation of document, with indication, where appropriate, of the relevant passages	Relevant to claim No.
X A	FR 2 776 965 A (MERITOR LIGHT VEHICLE SYS LTD) 8 October 1999 (1999-10-08) figures 1-7 ---	1-3,14, 15 17
A	WO 97 45283 A (LEAR CORP ;EMERLING DAVID M (US); DIMIG STEVEN J (US); MORRISON GE) 4 December 1997 (1997-12-04) figures 1-5 ---	1,14,17
A	EP 0 694 427 A (MECAPLAST SAM) 31 January 1996 (1996-01-31) figures 1-5 -----	1,14,17

# INTERNATIONAL SEARCH REPORT

Information on patent family members

International Application No

PCT/US 00/41661

Patent document cited in search report	Publication date	Patent family member(s)	Publication date
DE 19526367 A	22-02-1996	NONE	
DE 19755450 C	15-04-1999	NONE	
US 5927020 A	27-07-1999	NONE	
EP 0286923 A	19-10-1988	US 4785585 A BR 8801723 A DE 3871427 A JP 63279926 A	22-11-1988 16-11-1988 02-07-1992 17-11-1988
FR 2776965 A	08-10-1999	NONE	
WO 9745283 A	04-12-1997	US 5904002 A AU 3475897 A DE 19781793 T EP 0901420 A GB 2328911 A, B	18-05-1999 05-01-1998 27-05-1999 17-03-1999 10-03-1999
EP 0694427 A	31-01-1996	DE 4426426 A JP 8175171 A	15-02-1996 09-07-1996