



US00D798430S

(12) **United States Design Patent**  
**Nord**

(10) **Patent No.:** **US D798,430 S**

(45) **Date of Patent:** **\*\* \*Sep. 26, 2017**

(54) **AIR FILTER**

D734,531 S \* 7/2015 Tragatschnig ..... D26/118  
D755,155 S \* 5/2016 Paterson ..... D14/204  
D763,262 S \* 8/2016 Hallar ..... D14/434

(71) Applicant: **BLUEAIR AB**, Stockholm (SE)

(72) Inventor: **Gustav Nord**, Stockholm (SE)

(73) Assignee: **BLUEAIR AB**, Stockholm (SE)

(\* ) Notice: This patent is subject to a terminal disclaimer.

(\*\*) Term: **14 Years**

(21) Appl. No.: **29/500,803**

(22) Filed: **Aug. 28, 2014**

(30) **Foreign Application Priority Data**

Feb. 28, 2014 (SE) ..... 002415505-0001  
Feb. 28, 2014 (SE) ..... 002415505-0002

(51) **LOC (10) Cl.** ..... **23-04**

(52) **U.S. Cl.**  
USPC ..... **D23/364**

(58) **Field of Classification Search**  
USPC ..... D23/332-336, 342, 351, 352, 355-366,  
D23/369; D14/168, 170-172, 188, 496  
CPC .... A62B 21/00; B01D 46/0002; B01D 46/10;  
F02M 35/04; F24F 13/20  
See application file for complete search history.

(56) **References Cited**

**U.S. PATENT DOCUMENTS**

D615,556 S \* 5/2010 Yeo ..... D14/203.3  
D680,638 S \* 4/2013 Chou ..... D23/366  
D690,280 S \* 9/2013 Schul ..... D14/168  
D691,255 S \* 10/2013 Abbondanzio ..... D23/366  
D718,335 S \* 11/2014 Lee ..... D14/203.1  
D723,480 S \* 3/2015 Lee ..... D14/125  
D724,563 S \* 3/2015 Kim ..... D14/214  
D725,624 S \* 3/2015 Carney ..... D14/140  
D728,089 S \* 4/2015 Crisa' ..... D23/366  
D733,050 S \* 6/2015 Chiang ..... D13/103

**OTHER PUBLICATIONS**

Blueair 211 Air Purifier found online [Apr. 20, 2017] <http://www.breathingspace.co.uk/blog/2014/09/24/blue-the-funky-new-air-purifier-from-blueair/>.\*

\* cited by examiner

*Primary Examiner* — Robert M Spear

*Assistant Examiner* — John Voytek

(74) *Attorney, Agent, or Firm* — Cooper Legal Group LLC

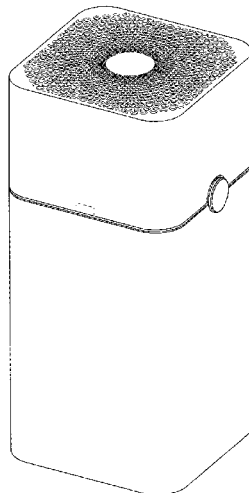
(57) **CLAIM**

The ornamental design for an air filter, as shown and described.

**DESCRIPTION**

FIG. 1 is a front perspective view of an air filter housing showing my new design;  
FIG. 2 is a left side plan view thereof;  
FIG. 3 is a front plan view thereof;  
FIG. 4 is a right side plan view thereof;  
FIG. 5 is a rear plan view thereof;  
FIG. 6 is a top plan view thereof; and  
FIG. 7 is a bottom plan view thereof; and  
FIG. 8 is a front perspective view of an air filter housing showing another embodiment of my new design;  
FIG. 9 is a left side plan view thereof;  
FIG. 10 is a front plan view thereof;  
FIG. 11 is a right side plan view thereof;  
FIG. 12 is a rear plan view thereof;  
FIG. 13 is a top plan view thereof; and,  
FIG. 14 is a bottom plan view thereof.  
The broken lines shown within the figures form no part of the claimed design. The bottom surfaces shown in FIGS. 7 and 14 form no part of the claimed design.

**1 Claim, 14 Drawing Sheets**



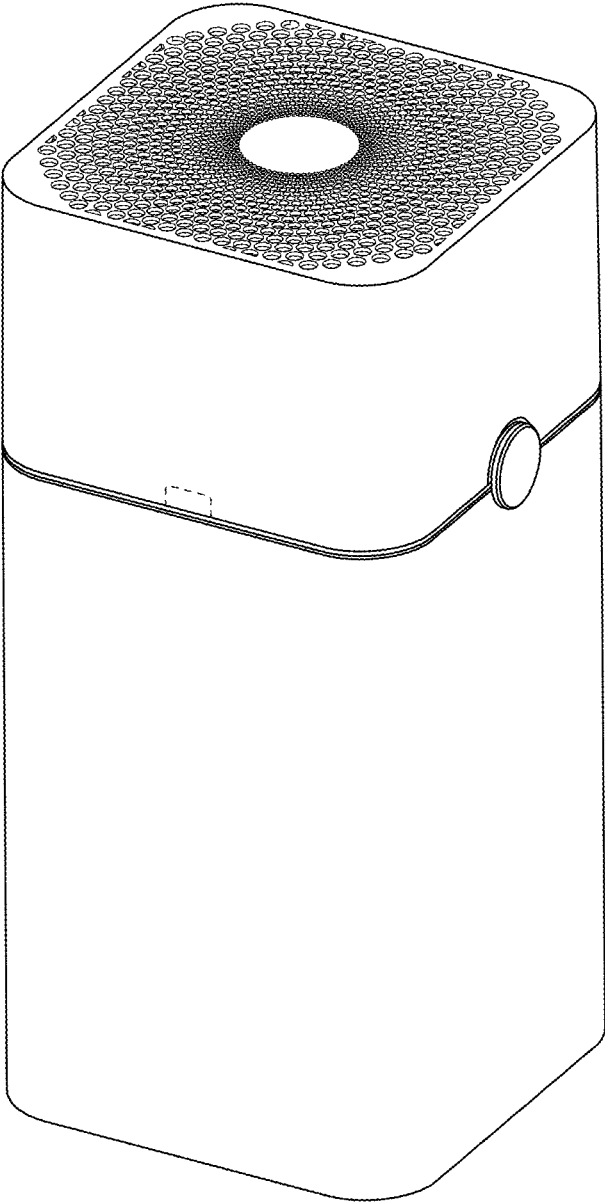


FIG. 1

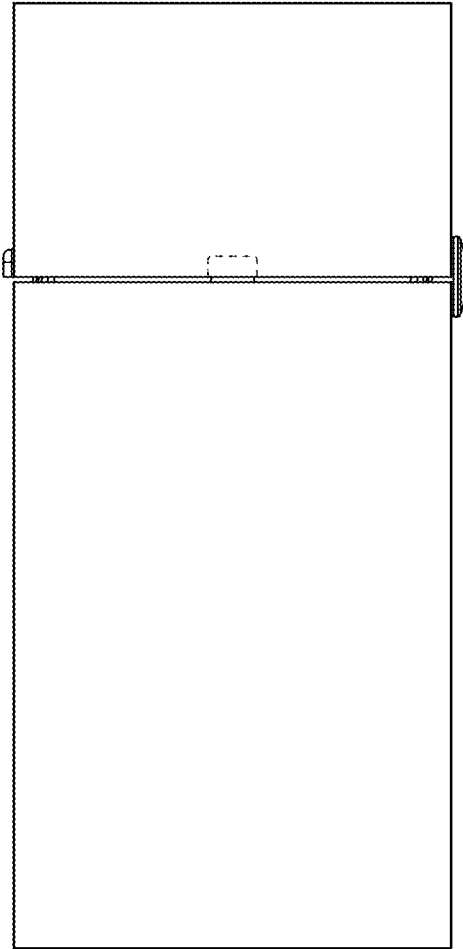


FIG. 2

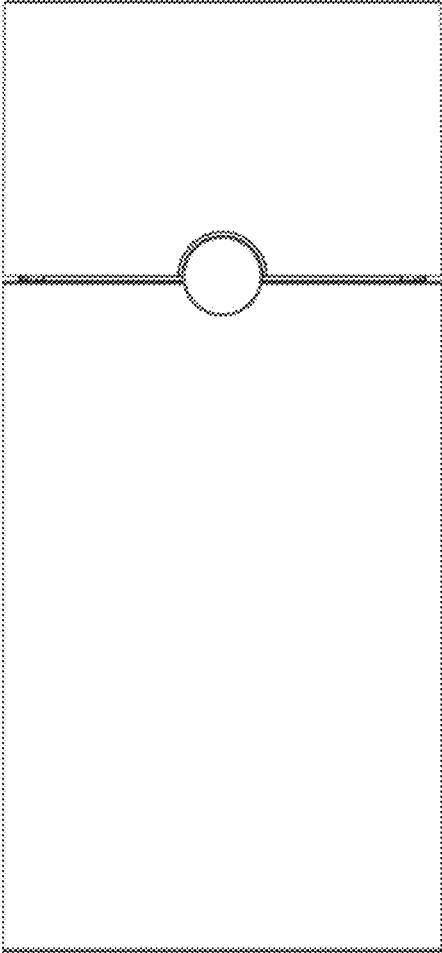


FIG. 3

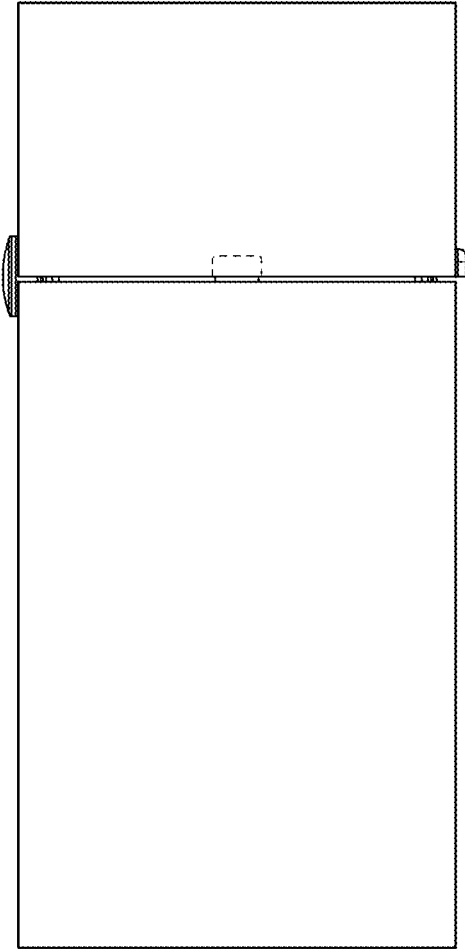


FIG. 4

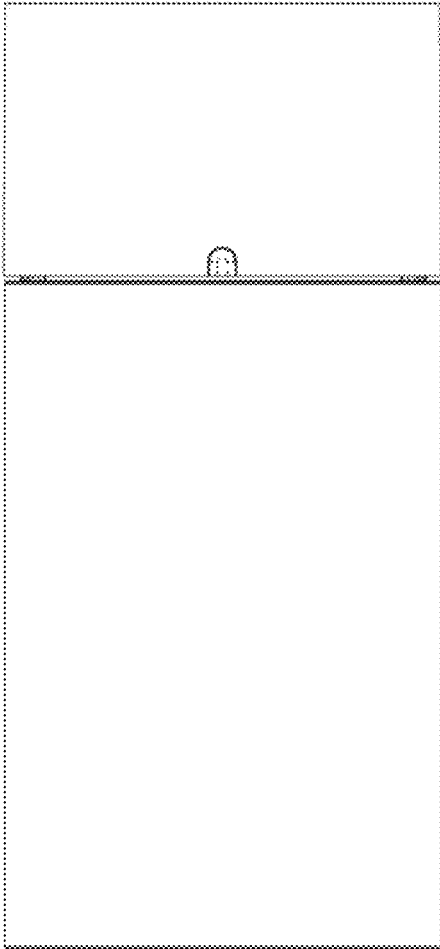


FIG. 5

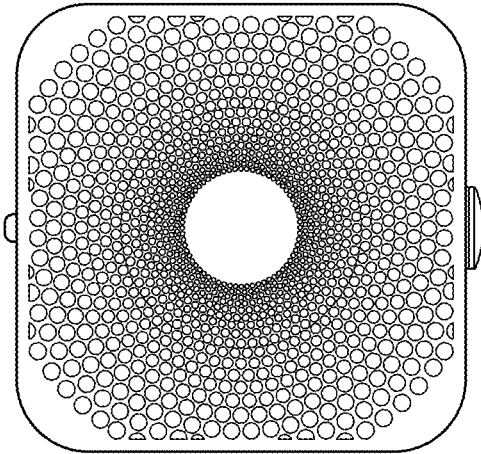


FIG. 6

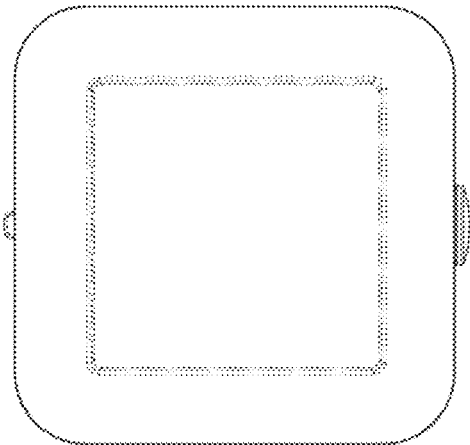


FIG. 7



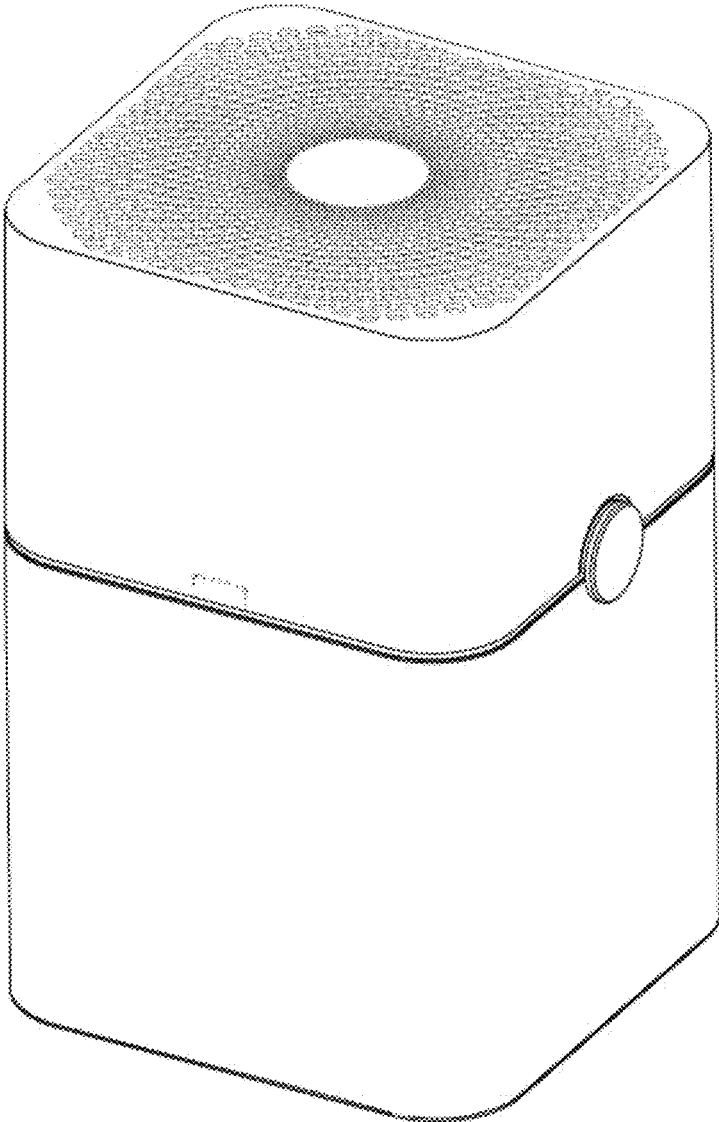


FIG. 8

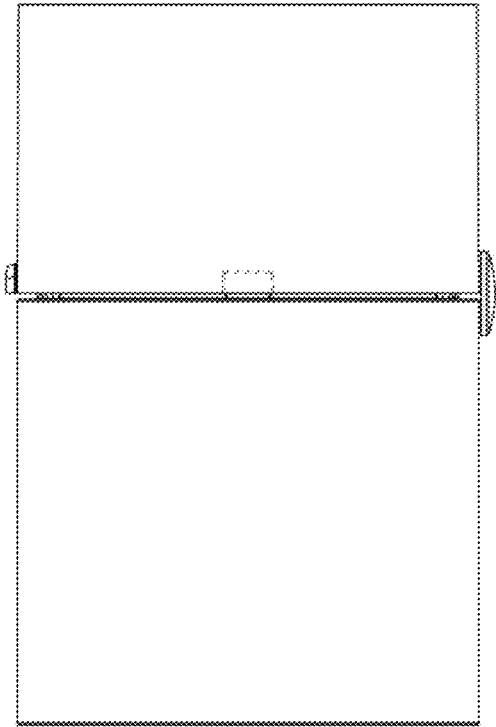


FIG. 9

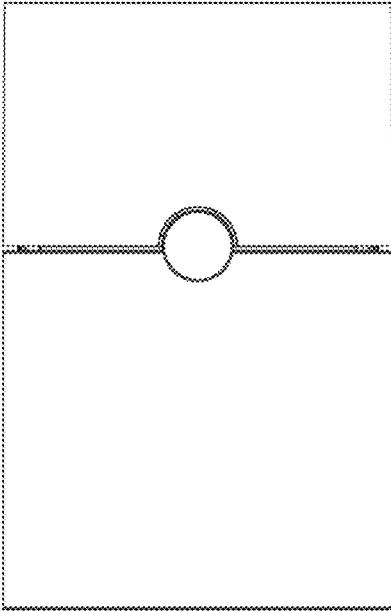


FIG. 10

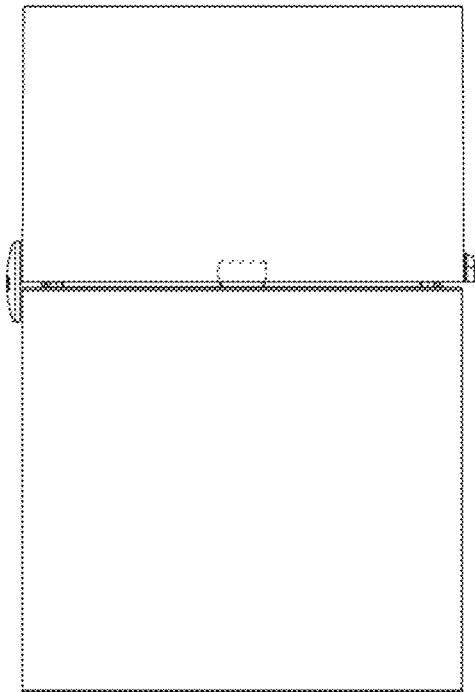


FIG. 11

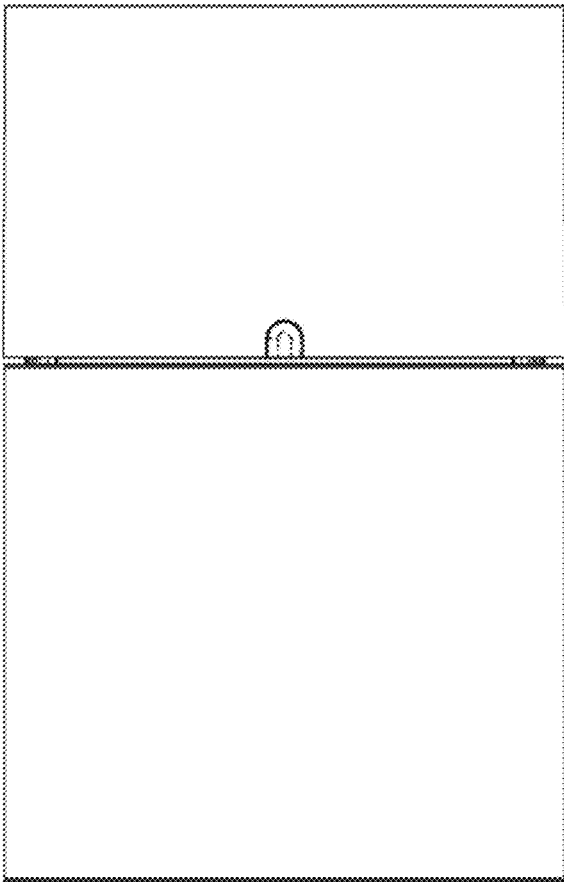


FIG. 12

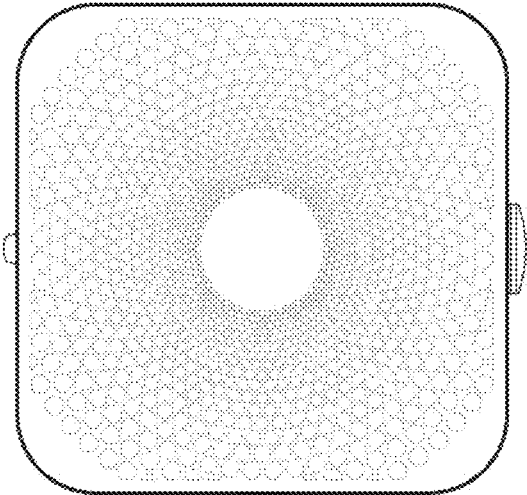


FIG. 13

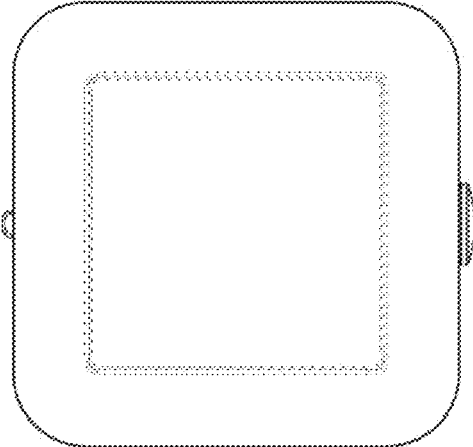


FIG. 14