



US00D463769S

(12) **United States Design Patent**  
**Chung**

(10) **Patent No.:** **US D463,769 S**

(45) **Date of Patent:** **\*\* Oct. 1, 2002**

(54) **VEHICLE WHEEL**

(76) Inventor: **Suny Chung**, 4682 Warner Ave., Apt.  
213, Huntington Beach, CA (US) 92649

(\*\*) Term: **14 Years**

(21) Appl. No.: **29/154,457**

(22) Filed: **Jan. 23, 2002**

(51) **LOC (7) Cl.** ..... **12-16**

(52) **U.S. Cl.** ..... **D12/211**

(58) **Field of Search** ..... D12/204-211;  
301/37.1, 64.1, 65

D438,505 S \* 3/2001 McMath ..... D12/211  
D445,082 S \* 7/2001 Chung ..... D12/211  
D451,467 S \* 12/2001 Chung ..... D12/211  
D451,877 S \* 12/2001 Lee ..... D12/211

\* cited by examiner

*Primary Examiner*—Stacia Cadmus

(74) *Attorney, Agent, or Firm*—Marcia Devon

(57) **CLAIM**

The ornamental design for a vehicle wheel, as shown and described.

**DESCRIPTION**

FIG. 1 is a perspective view of vehicle wheel showing my new design;

FIG. 2 is a reduced front view thereof; and,

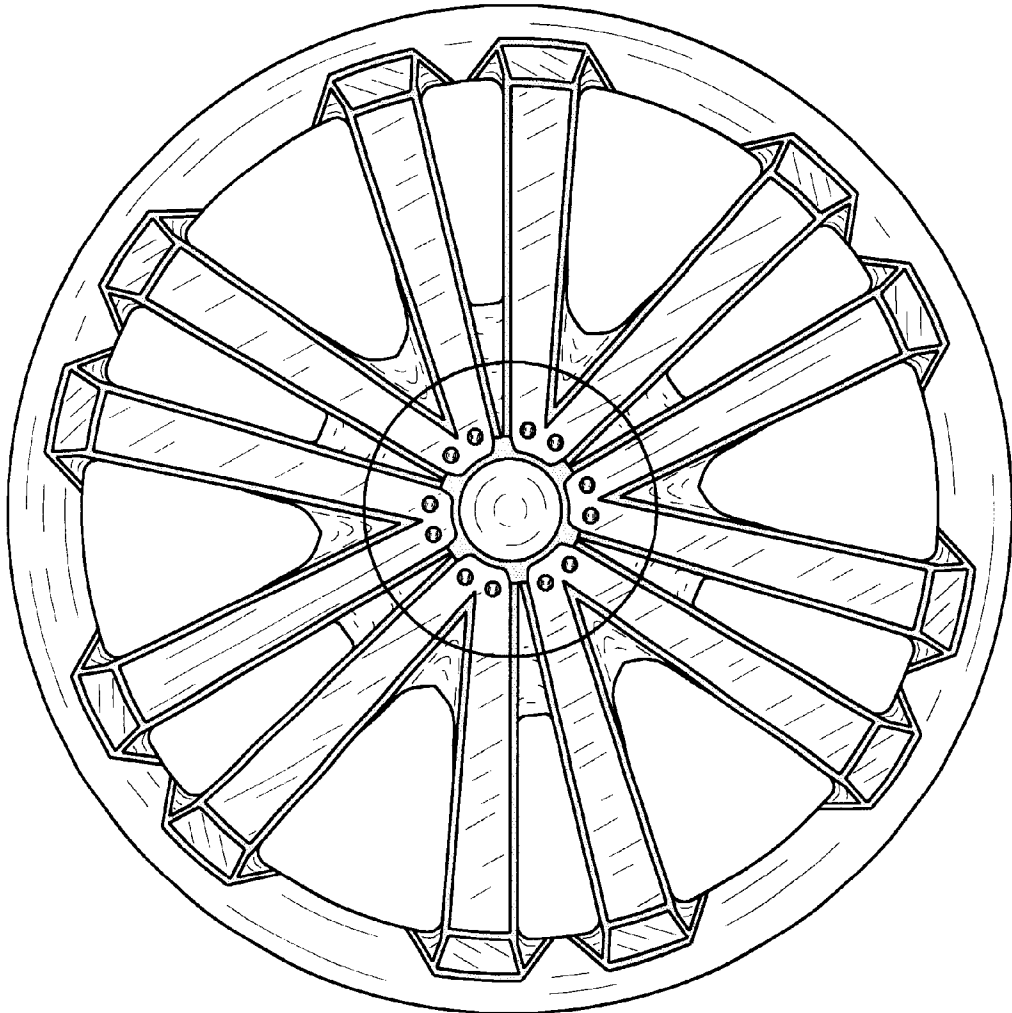
FIG. 3 is a reduced side view thereof, it being understood that the opposite side is a mirror image thereof.

(56) **References Cited**

**U.S. PATENT DOCUMENTS**

D409,132 S \* 5/1999 Cullen ..... D12/211  
D422,258 S \* 4/2000 Hale, Jr. .... D12/211  
D428,379 S \* 7/2000 Donikoglu ..... D12/211  
D429,681 S \* 8/2000 Cullen ..... D12/211  
D431,514 S \* 10/2000 Cullen ..... D12/209

**1 Claim, 2 Drawing Sheets**



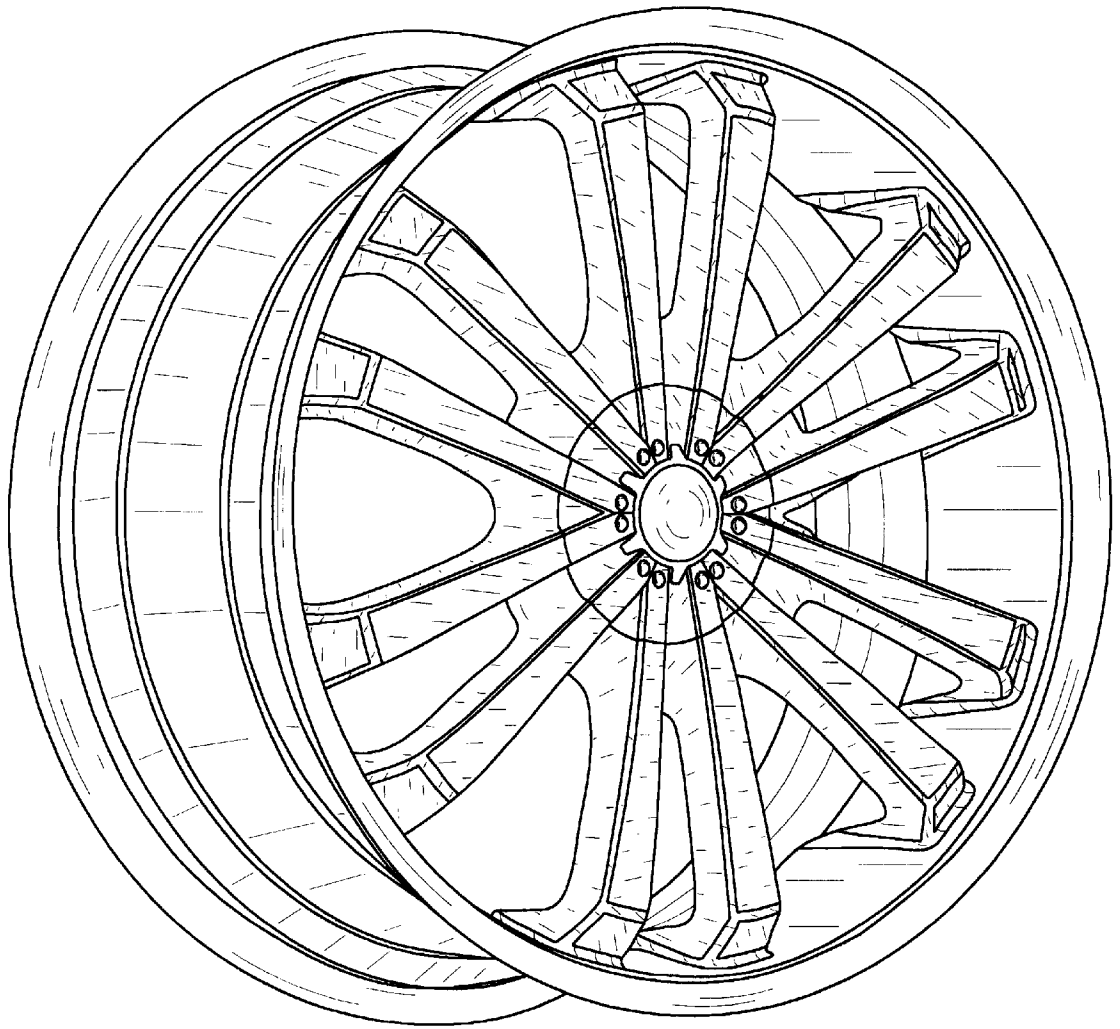


Fig. 1

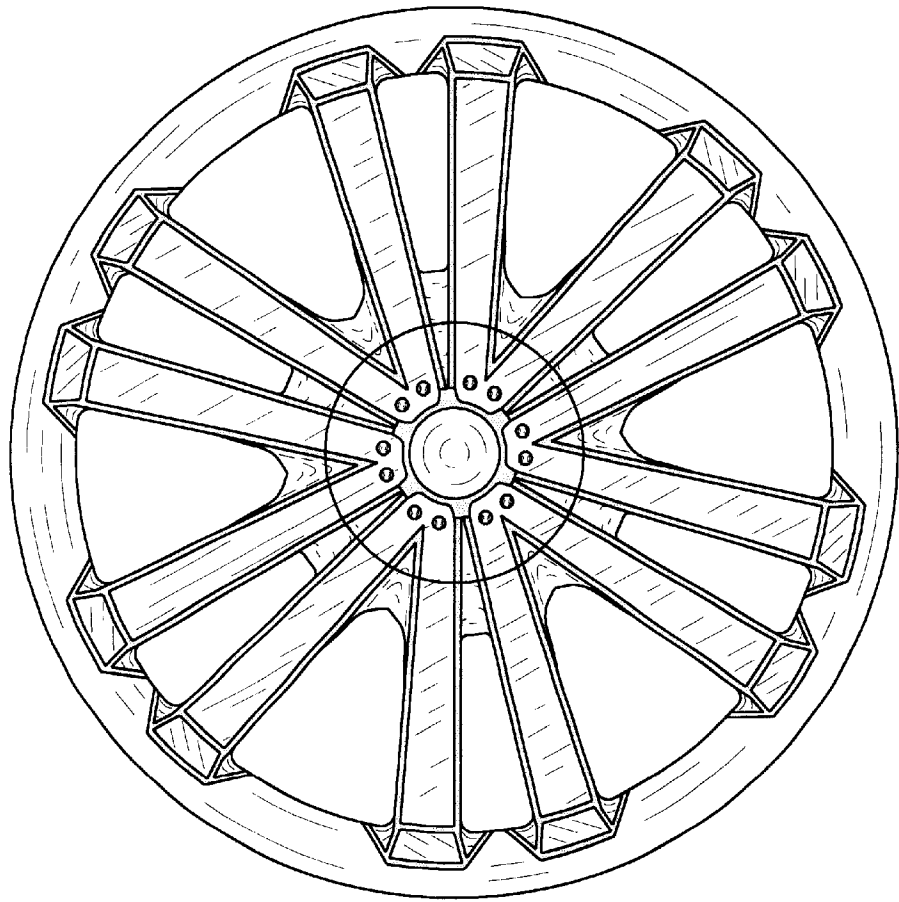


Fig. 2

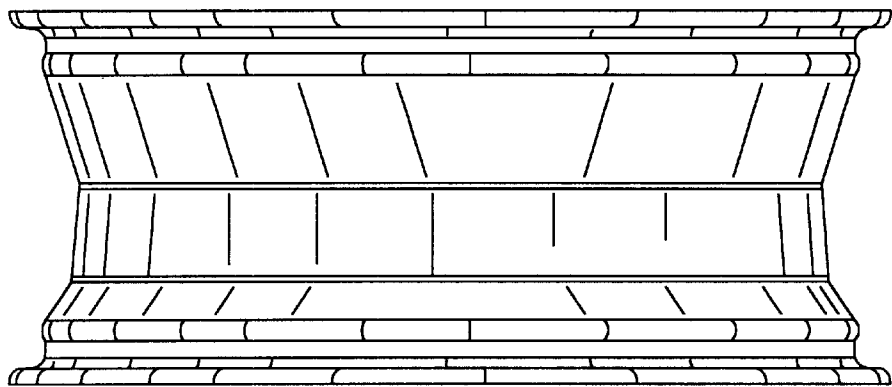


Fig. 3