



US00D378825S

**United States Patent** [19]  
**Dunlop**

[11] **Patent Number:** **Des. 378,825**  
[45] **Date of Patent:** **\*\*Apr. 15, 1997**

[54] **TRIGGER CAPO** 1755320 8/1992 Russian Federation ..... 84/318

[75] Inventor: **James A. Dunlop**, Benicia, Calif.

*Primary Examiner*—Ted Shooman  
*Assistant Examiner*—Adir Aronovich  
*Attorney, Agent, or Firm*—Robert Charles Hill

[73] Assignee: **Dunlop Manufacturing, Inc.**, Benicia, Calif.

[\*\*] Term: **14 Years**

[57] **CLAIM**

The ornamental design for a trigger capo, as shown and described.

[21] Appl. No.: **50,621**

[22] Filed: **Feb. 20, 1996**

[52] **U.S. Cl.** ..... **D17/20**; 84/318

[58] **Field of Search** ..... **D17/20, 99**; 84/318

**DESCRIPTION**

FIG. 1 is a lower left frontal perspective view of a trigger capo showing my new design;  
FIG. 2 is a top plan view thereof;  
FIG. 3 is a front elevational view, the rear being a mirror image thereof;  
FIG. 4 is a right side elevational view thereof;  
FIG. 5 is a left side elevational view thereof; and,  
FIG. 6 is a bottom plan view thereof.

[56] **References Cited**

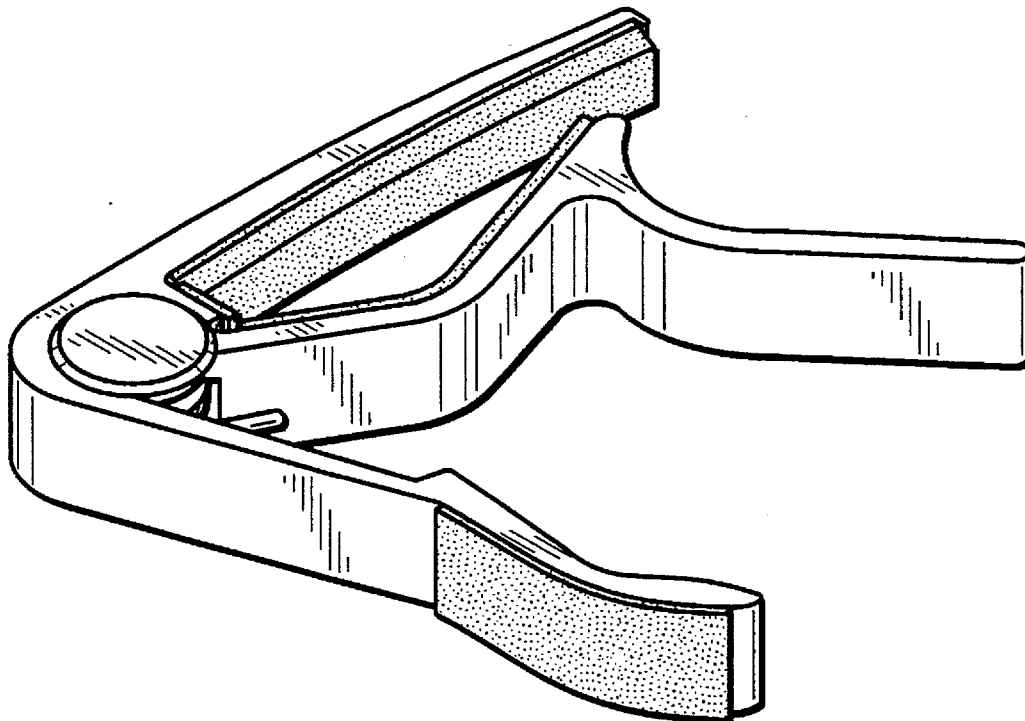
**U.S. PATENT DOCUMENTS**

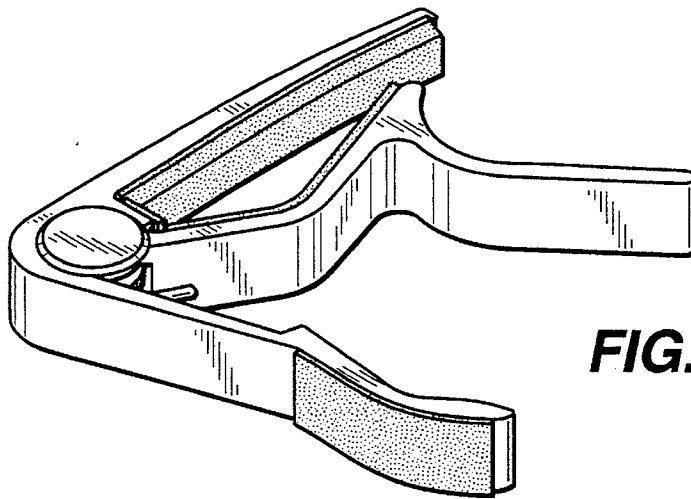
|           |        |                     |        |
|-----------|--------|---------------------|--------|
| 4,143,576 | 3/1979 | Nichols et al. .... | 84/318 |
| 4,324,165 | 4/1982 | Wilkerson .....     | 84/318 |
| 4,583,440 | 4/1986 | Powell, Jr. ....    | 84/318 |

**FOREIGN PATENT DOCUMENTS**

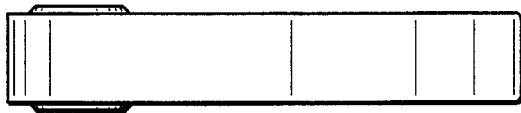
|        |         |               |        |
|--------|---------|---------------|--------|
| 382448 | 10/1923 | Germany ..... | 84/318 |
|--------|---------|---------------|--------|

**1 Claim, 1 Drawing Sheet**

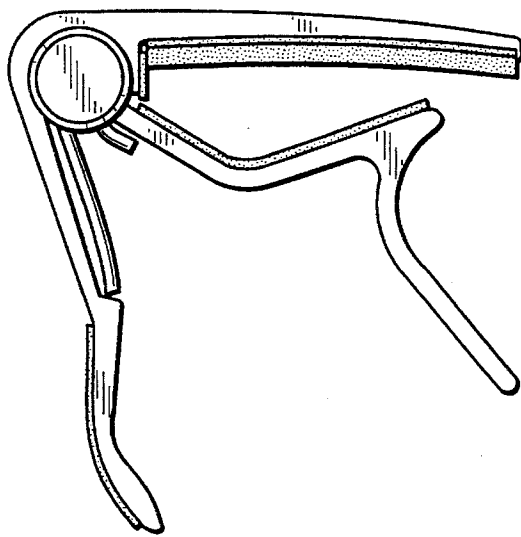




**FIG.\_1**



**FIG.\_2**



**FIG.\_3**



**FIG.\_4**



**FIG.\_5**



**FIG.\_6**