



US00D528914S

(12) **United States Design Patent** (10) **Patent No.:** **US D528,914 S**  
**Williams** (45) **Date of Patent:** **\*\* Sep. 26, 2006**

(54) **DECORATIVE BOTTLE ACCESSORY**  
(75) Inventor: **Dean Williams**, Pontyclun (GB)  
(73) Assignee: **The Procter & Gamble Company**,  
Cincinnati, OH (US)  
(\*\*) Term: **14 Years**  
(21) Appl. No.: **29/210,713**  
(22) Filed: **Aug. 4, 2004**  
(51) **LOC (8) Cl.** ..... **09-07**  
(52) **U.S. Cl.** ..... **D9/451; D9/434; D9/448**  
(58) **Field of Classification Search** ..... D9/607,  
D9/604, 601, 600, 434, 451, 448; D7/578,  
D7/516; D5/26; D4/125; D3/21, 14, 6; D21/836,  
D21/600, 427, 415; D2/982, 899, 508, 505;  
D11/100; D1/107; 222/78; 206/457  
See application file for complete search history.

D356,038 S 3/1995 Biesecker  
D364,093 S 11/1995 Weaver, Jr.  
D368,771 S 4/1996 Patel et al.  
D372,198 S 7/1996 Lathrop et al.  
D372,199 S 7/1996 Lathrop et al.  
D372,859 S 8/1996 Lathrop et al.  
D372,860 S 8/1996 Lathrop et al.  
D376,320 S 12/1996 Lathrop et al.  
D380,159 S 6/1997 Lathrop et al.  
D380,355 S 7/1997 Husted  
D399,756 S 10/1998 Lonczak et al.  
D407,316 S 3/1999 Zaksenberg  
D408,293 S 4/1999 Bakic

(Continued)

**OTHER PUBLICATIONS**

www.alextoys.com, RubaDub Toothpaste Pet—Frog, Aug. 4, 2004.

*Primary Examiner*—Robert M. Spear  
*Assistant Examiner*—Susan Bennett Hattan  
(74) *Attorney, Agent, or Firm*—Edwards & Milbrada;  
Matthew P. Fitzpatrick; Sarah Ann Dressel

(56) **References Cited**

**U.S. PATENT DOCUMENTS**

3,212,663 A 10/1965 Greenwell  
3,738,054 A \* 6/1973 Petrussek ..... 446/304  
D230,953 S 3/1974 Edwards  
D241,011 S 8/1976 Pettengill  
D242,121 S \* 11/1976 Stoddard ..... D9/607  
D248,088 S 6/1978 Britt  
D272,723 S 2/1984 Baker  
D273,767 S 5/1984 Weiler  
D282,310 S \* 1/1986 Valori ..... D2/899  
D285,174 S 8/1986 Teschner  
D288,842 S 3/1987 Kwiatkowski  
D289,259 S 4/1987 Strand  
D292,773 S 11/1987 Carlson  
D306,692 S \* 3/1990 Ferrero ..... D9/607  
4,979,925 A \* 12/1990 Bergersen ..... 446/297  
D327,003 S 6/1992 Schneider et al.  
D329,507 S \* 9/1992 Assmann ..... D28/18  
D334,705 S 4/1993 Pereira et al.  
D336,845 S 6/1993 Carroll et al.  
D337,272 S 7/1993 Joo  
D343,793 S 2/1994 Crawford  
D349,858 S 8/1994 Lonczak et al.

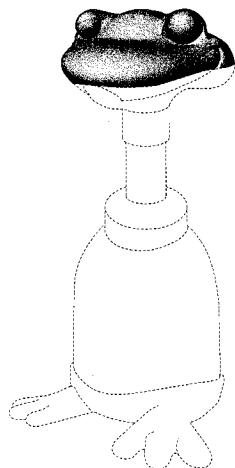
(57) **CLAIM**

The ornamental design for a “decorative bottle accessory,” as shown and described.

**DESCRIPTION**

FIG. 1 is a perspective view of a decorative bottle accessory showing our new design;  
FIG. 2 is a front elevational view of the decorative bottle accessory of FIG. 1;  
FIG. 3 is a left side elevational view of the decorative bottle accessory of FIG. 1, the right side elevational view being a mirror image thereof;  
FIG. 4 is a rear elevational view of the decorative bottle accessory of FIG. 1; and,  
FIG. 5 is a top plan view of the decorative bottle accessory of FIG. 1.  
The dashed lines are for illustrative purposes only and form no part of the claimed design.

**1 Claim, 5 Drawing Sheets**



# US D528,914 S

Page 2

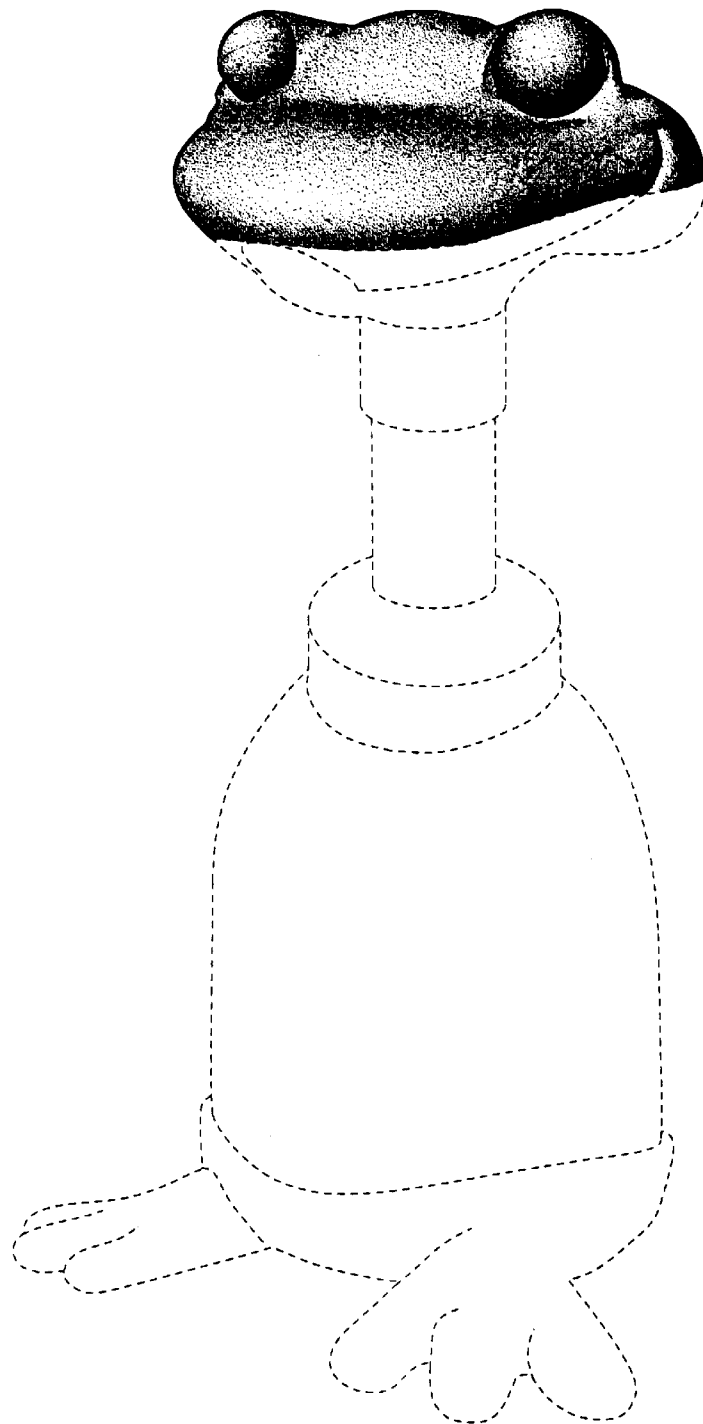
---

## U.S. PATENT DOCUMENTS

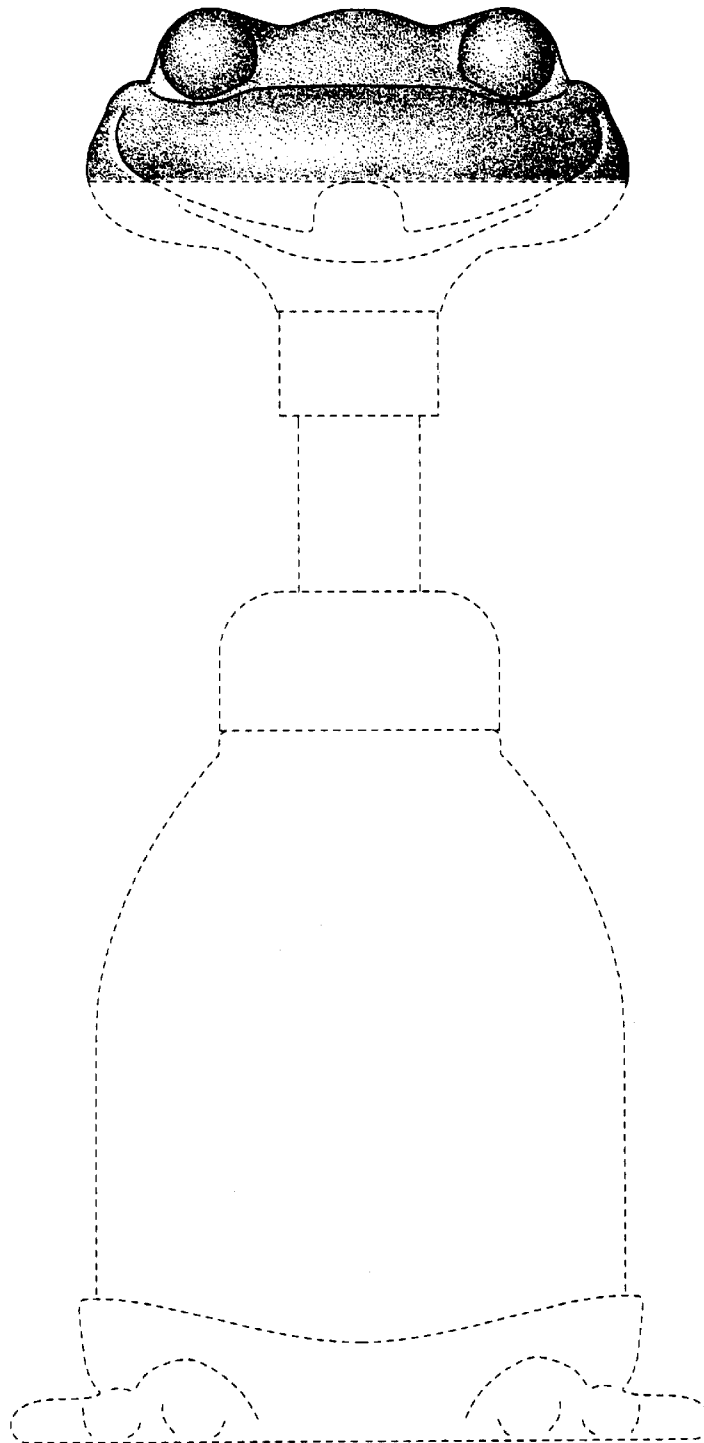
D423,351 S	*	4/2000	Zaksenberg .....	D9/434	D477,779 S	*	7/2003	Wehrauch .....	D9/601
D425,146 S	*	5/2000	Shibuya .....	D21/600	D516,950 S	*	3/2006	Thorsteinsson .....	D11/164
D436,525 S	*	1/2001	Lin .....	D9/601	D517,446 S	*	3/2006	Thorsteinsson .....	D11/158
6,237,787 B1		5/2001	Gallo et al.		2002/0078534 A1	*	6/2002	Williams .....	24/30.5 S
D446,728 S		8/2001	Bakic		2004/0055920 A1	*	3/2004	Perez .....	206/457
D449,013 S	*	10/2001	Spielberg .....	D11/158	2006/0027596 A1	*	2/2006	Walther et al. ....	222/78
D463,983 S		10/2002	Wendt et al.						

\* cited by examiner

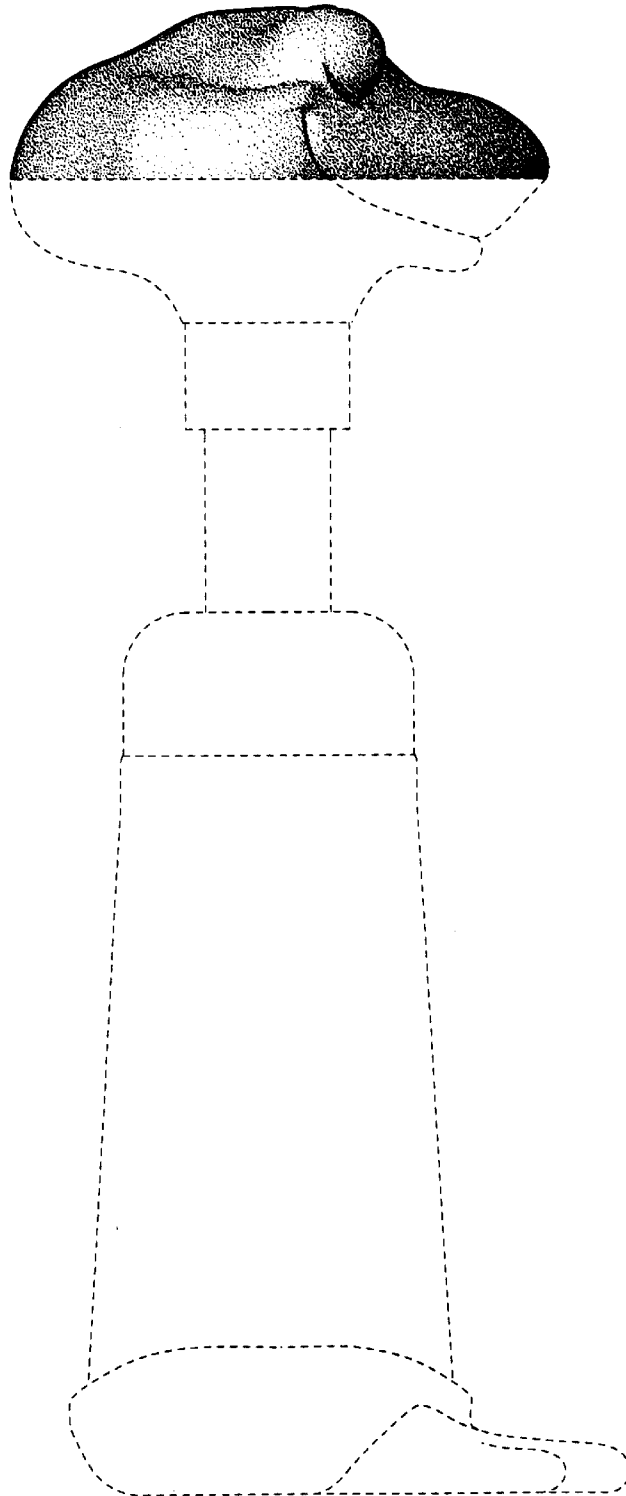
**FIG. 1**



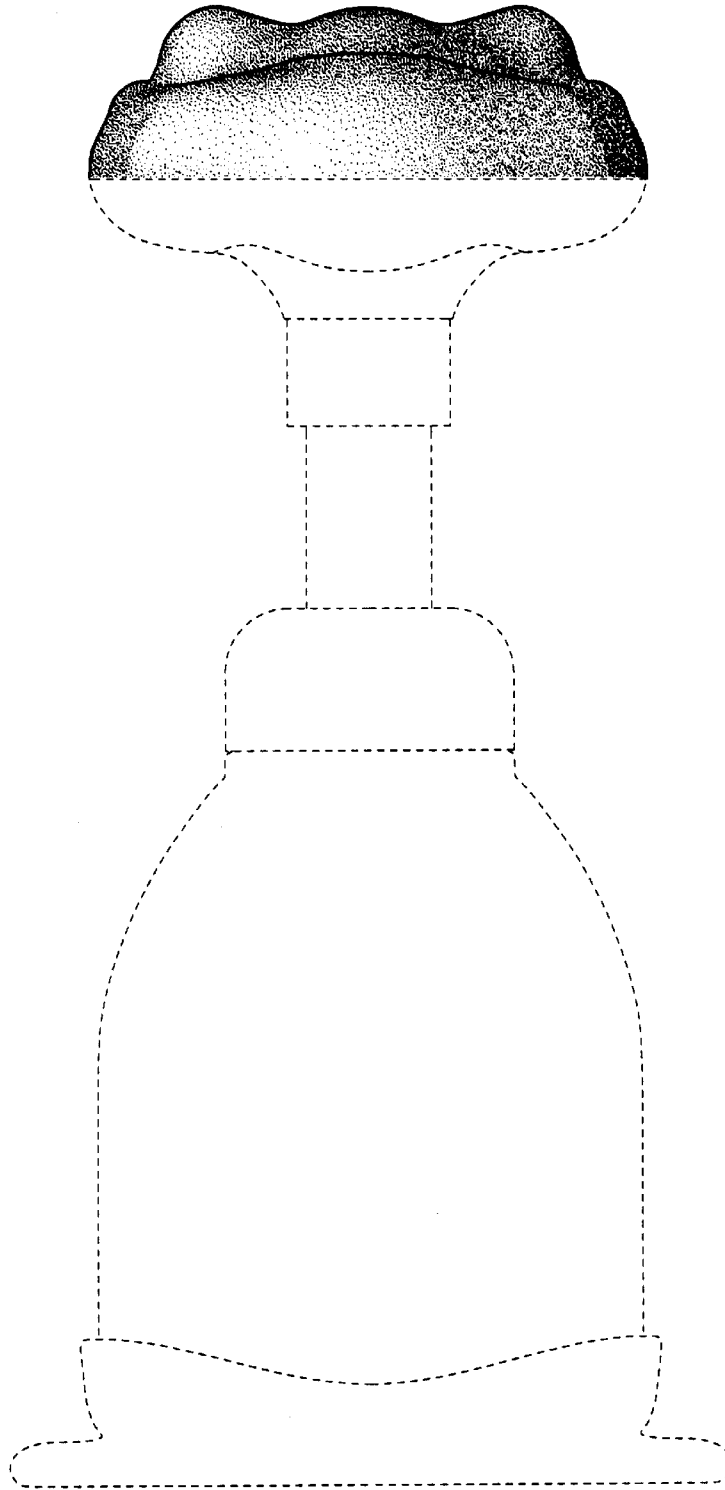
**FIG. 2**



**FIG. 3**



**FIG. 4**



**FIG. 5**

