



US00D472322S

(12) **United States Design Patent** (10) **Patent No.:** **US D472,322 S**
Hoglund et al. (45) **Date of Patent:** **** Mar. 25, 2003**

(54) **MEDICAL BACK PADS WITH FLUID CONNECTORS**

(75) Inventors: **Michael R. Hoglund**, Mead, CO (US);
Kerri Record, Boulder, CO (US);
Gary Allen Carson, Golden, CO (US)

(73) Assignee: **Medivance Incorporated**, Louisville, CO (US)

(**) Term: **14 Years**

(21) Appl. No.: **29/156,498**

(22) Filed: **Feb. 27, 2002**

(51) **LOC (7) Cl.** **24-04**

(52) **U.S. Cl.** **D24/206**

(58) **Field of Search** D24/206, 201;
607/96, 108, 109, 110, 111, 104, 114

(56) **References Cited**

U.S. PATENT DOCUMENTS

2,250,325 A	7/1941	Barnes	257/12
2,726,658 A	12/1955	Chessey	128/400
3,091,242 A	5/1963	Johnson, Jr. et al.	128/402
3,867,939 A	2/1975	Moore et al.	128/254
3,995,621 A	12/1976	Fletcher et al.	128/2
4,108,146 A	8/1978	Golden	128/400
4,114,620 A	* 9/1978	Moore et al.	607/104
4,118,946 A	10/1978	Tubin	62/514
4,149,541 A	4/1979	Gammons et al.	128/400
4,154,245 A	5/1979	Daily	128/400
4,919,134 A	4/1990	Streeter	128/400
4,962,761 A	10/1990	Golden	128/400
5,062,414 A	* 11/1991	Grim	602/19
5,097,829 A	3/1992	Quisenberry	128/400
5,133,348 A	* 7/1992	Mayn	607/108
5,190,032 A	* 3/1993	Zacoi	607/104
5,304,213 A	4/1994	Berke et al.	607/104
5,383,919 A	1/1995	Kelly et al.	607/104
5,411,541 A	* 5/1995	Bell et al.	607/104

5,466,250 A	* 11/1995	Johnson, Jr. et al.	607/104
5,470,353 A	11/1995	Jensen	607/104
5,486,207 A	1/1996	Mahawill	607/104
5,514,169 A	5/1996	Dickerhoff et al.	607/107
5,545,194 A	8/1996	Augustine	607/104
5,609,620 A	3/1997	Daily	607/105
5,658,325 A	8/1997	Augustine	607/107
5,733,318 A	3/1998	Augustine	607/104
5,887,437 A	3/1999	Maxim	62/4
5,913,849 A	6/1999	Sundstöm et al.	604/291
6,117,164 A	9/2000	Gildersleeve et al.	607/108
6,197,045 B1	3/2001	Carson	607/104
6,238,427 B1	5/2001	Matta	607/104

FOREIGN PATENT DOCUMENTS

WO WO 99/44552 9/1999 A61F/7/00

* cited by examiner

Primary Examiner—Stella Reid

(74) *Attorney, Agent, or Firm*—Marsh Fischmann & Breyfogle LLP

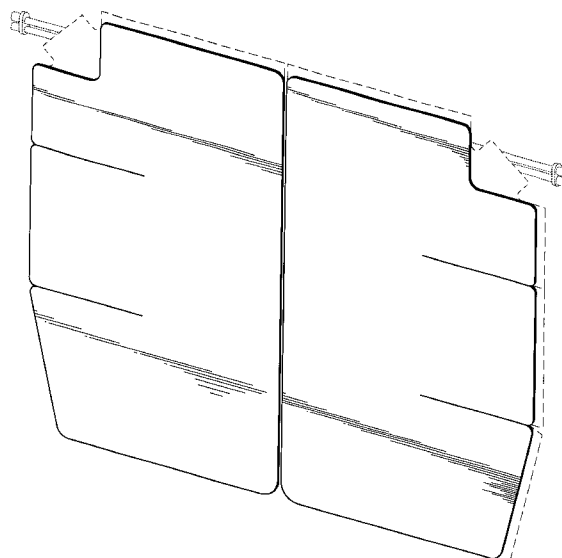
(57) **CLAIM**

The ornamental design for a medical back pads with fluid connectors, as shown and described.

DESCRIPTION

FIG. 1 is a front perspective view of a medical back pads with fluid connectors, showing our new design; FIG. 2 is a front elevational view thereof; FIG. 3 is a rear elevational view thereof; FIG. 4 is a side elevational view thereof; FIG. 5 is a side elevational view thereof, opposite that shown in FIG. 4; FIG. 6 is a top plan view thereof; and, FIG. 7 is a bottom plan view thereof. The broken line showing is for illustrative purposes only and forms no part of the claimed design.

1 Claim, 5 Drawing Sheets



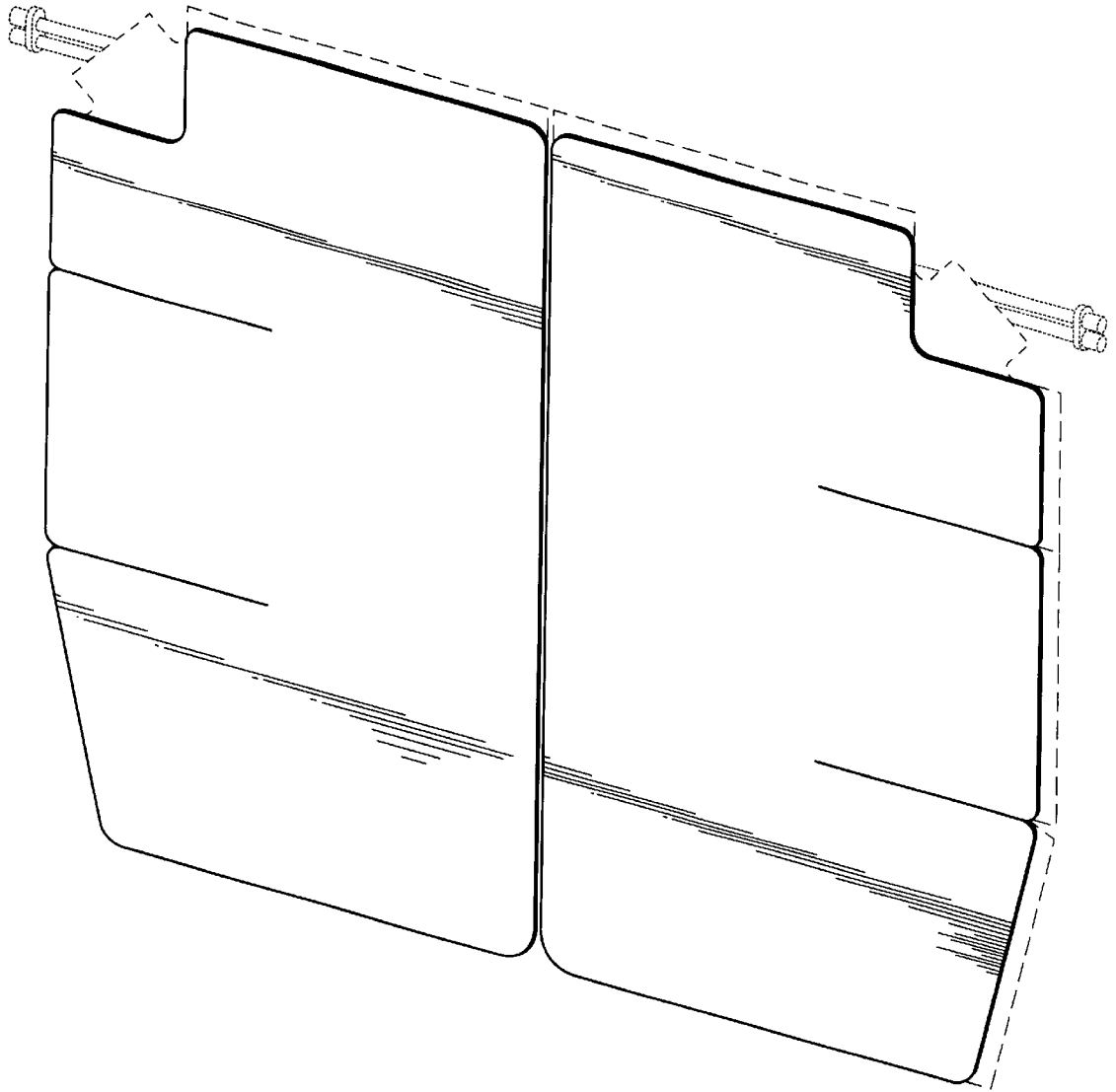


FIG.1

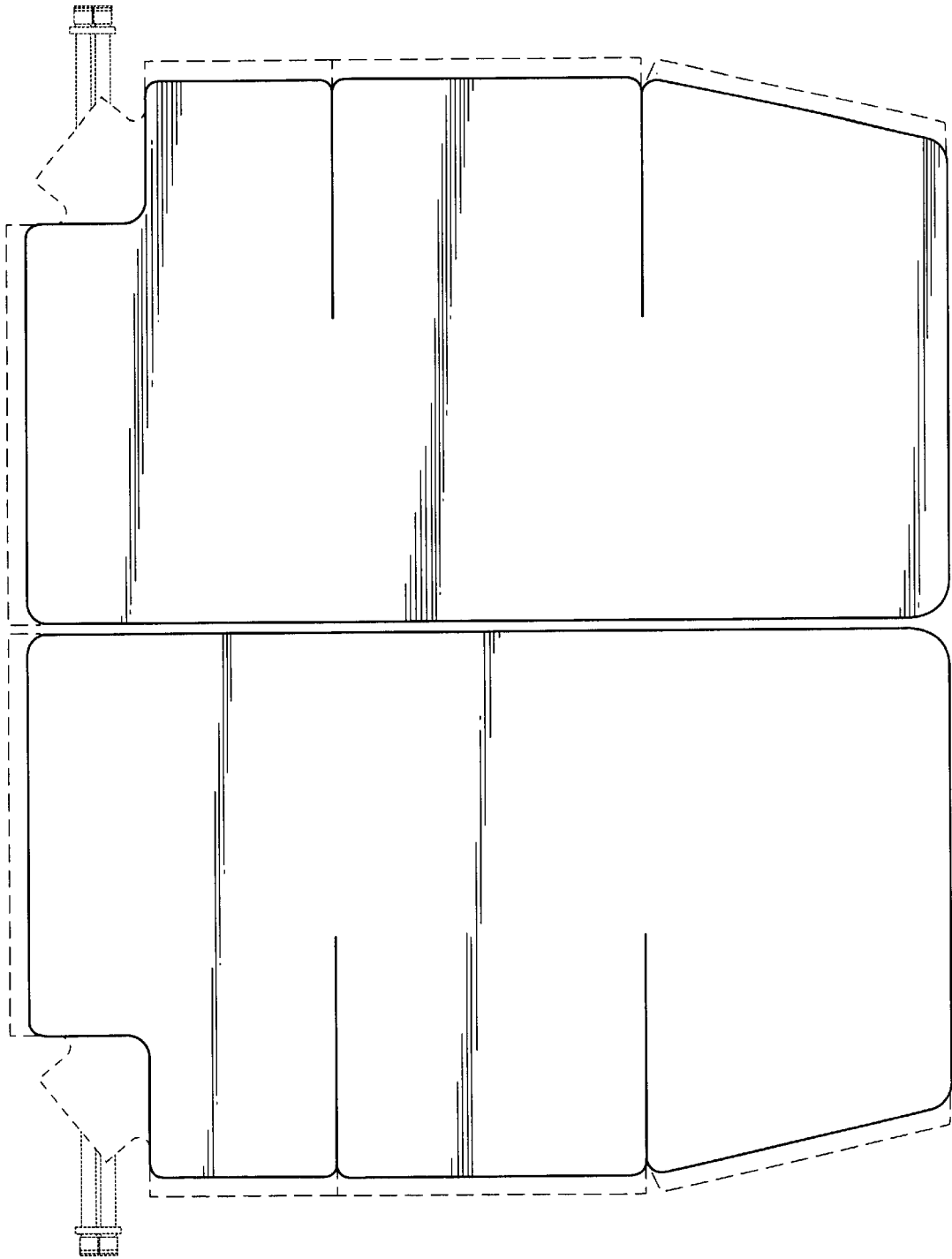


FIG.2

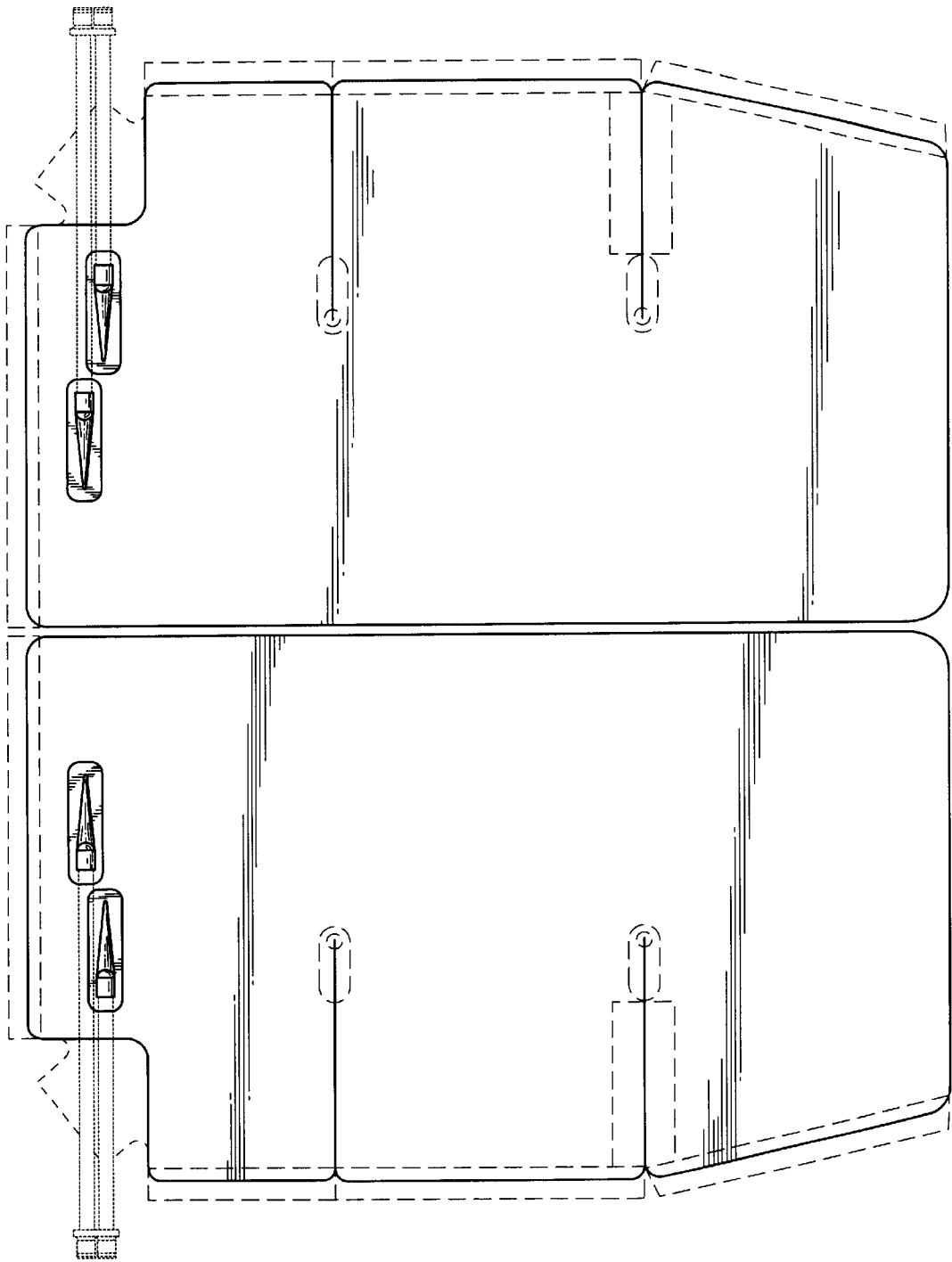


FIG.3



FIG.5



FIG.4



FIG. 6



FIG. 7