



- (51) International Patent Classification:
A46B 7/06 (2006.01) A61C 17/00 (2006.01)
A46B 9/04 (2006.01)
- (21) International Application Number:
PCT/CN2010/002109
- (22) International Filing Date:
21 December 2010 (21.12.2010)
- (25) Filing Language: English
- (26) Publication Language: English
- (71) Applicant (for all designated States except US): COL-GATE-PALMOLIVE COMPANY [US/US]; 300 Park Avenue, New York, New York 10022 (US).
- (72) Inventors; and
- (75) Inventors/Applicants (for US only): XI, Wenjin [CN/CN]; Room 203, No. 8, Dong San Li Qiao 170, Pu Dong New Area, Shanghai (CN). YU, Liu [CN/CN]; 2 Sanxiao Road, Hangli Town, HanJiang Area, Yangzhou, Jiangsu 225111 (CN). ZHOU, Jianrong [CN/—]; 2 Sanxiao Road, Hangli Town, HanJiang Area, Yangzhou, Jiangsu 225111 (CN).
- (74) Agent: CHINA PATENT AGENT (H.K.) LTD.; 22/F, Great Eagle Centre, 23 Harbour Road, Wanchai, Hong Kong (CN).

- (81) Designated States (unless otherwise indicated, for every kind of national protection available): AE, AG, AL, AM, AO, AT, AU, AZ, BA, BB, BG, BH, BR, BW, BY, BZ, CA, CH, CL, CN, CO, CR, CU, CZ, DE, DK, DM, DO, DZ, EC, EE, EG, ES, FI, GB, GD, GE, GH, GM, GT, HN, HR, HU, ID, IL, IN, IS, JP, KE, KG, KM, KN, KP, KR, KZ, LA, LC, LK, LR, LS, LT, LU, LY, MA, MD, ME, MG, MK, MN, MW, MX, MY, MZ, NA, NG, NI, NO, NZ, OM, PE, PG, PH, PL, PT, RO, RS, RU, SC, SD, SE, SG, SK, SL, SM, ST, SV, SY, TH, TJ, TM, TN, TR, TT, TZ, UA, UG, US, UZ, VC, VN, ZA, ZM, ZW.
- (84) Designated States (unless otherwise indicated, for every kind of regional protection available): ARIPO (BW, GH, GM, KE, LR, LS, MW, MZ, NA, SD, SL, SZ, TZ, UG, ZM, ZW), Eurasian (AM, AZ, BY, KG, KZ, MD, RU, TJ, TM), European (AL, AT, BE, BG, CH, CY, CZ, DE, DK, EE, ES, FI, FR, GB, GR, HR, HU, IE, IS, IT, LT, LU, LV, MC, MK, MT, NL, NO, PL, PT, RO, RS, SE, SI, SK, SM, TR), OAPI (BF, BJ, CF, CG, CI, CM, GA, GN, GQ, GW, ML, MR, NE, SN, TD, TG).

Published:
— with international search report (Art. 21(3))

(54) Title: ORAL CARE IMPLEMENT

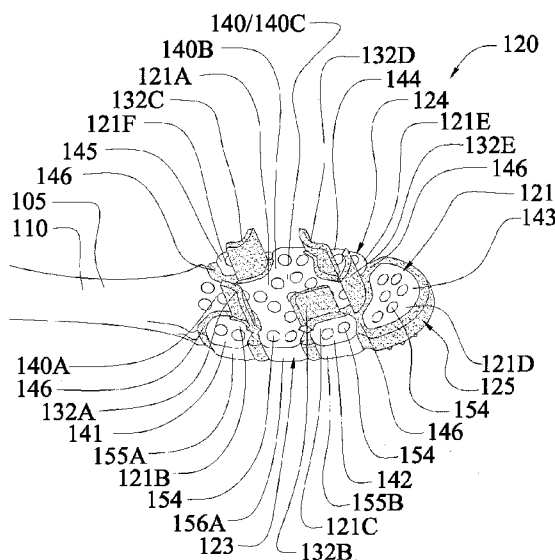


FIGURE 3

(57) Abstract: An oral care implement comprises a handle (110) and a head (120). A plurality of tooth cleaning elements (130) may extend from a front surface (121) of the head (110), which is formed by a plurality of spaced-apart segments formed of a rigid material, wherein the plurality of segments include a cruciform segment (140) integrally formed with and extending from a distal end of the handle (110), a first pair of segments (141, 145) located on opposite sides of a longitudinal portion (140A) of the cruciform segment (140), and a second pair of segments (142, 144) located on opposite sides of the longitudinal portion (140A) of the cruciform segment (140), with the first pair of segments (141, 145) being located on an opposite side of a transverse portion (140B) of the cruciform segment (140) from the second pair of segments (142, 144). The segments of the first and second pairs are flexibly connected to the cruciform segment (140).

WO 2012/083489 A1

ORAL CARE IMPLEMENT

FIELD OF THE INVENTION

[0001] The present invention relates generally to oral care implements, and specifically to oral care implements having a flexible head formed by a plurality of segments.

BACKGROUND OF THE INVENTION

[0002] A toothbrush is used to clean the teeth by removing plaque and debris from the tooth surfaces. Conventional toothbrushes having a flat bristle trim are limited in their ability to conform to the curvature of the teeth, to penetrate into the interproximal areas between the teeth, to sweep away the plaque and debris, and to clean along the gum line. Additionally, such toothbrushes have a limited ability to retain dentifrice for cleaning the teeth. During the brushing process, the dentifrice typically slips through the tufts of bristles and away from the contact between the bristles and the teeth. As a result, the dentifrice is often spread around the mouth, rather than being concentrated on the contact of the bristles with the teeth. Therefore, the efficiency of the cleaning process is reduced.

[0003] While substantial efforts have been made to modify the cleaning elements of toothbrushes to improve the efficiency of the oral cleaning process, the industry continues to pursue arrangements of cleaning elements that will improve upon the existing technology.

[0004] A number of attempts have been made to create flexible toothbrush heads that provide greater cleaning efficacy by allowing the head to flex, thereby allowing the bristles and other tooth cleaning elements to extend at various angles relative to one another. In one type of known flexible toothbrush head, the head is broken up into a plurality of segments that are flexible relative to one another and relative to the handle. However, the existing designs of many segmented toothbrush heads result in the head having either too much or not enough flexibility. Too much flexibility results in the head being unable to transmit sufficient pressure to the teeth or other oral surfaces via the bristles when the handle is subject to normal brushing forces. On the other hand, inadequate flexibility results in the segments (and thus the bristles) remaining substantially stationary, thereby defeating the purpose of having a flexible head.

[0005] More recently, the strategic arrangement and combination of tooth cleaning elements in the form of elastomeric cleaning elements and bristle tufts has become a more common way of improving cleaning efficiency. However, very little efforts have been made to coordinate the structure and arrangement of elastomeric cleaning elements on flexible toothbrush heads formed by a plurality of segments.

[0006] Elastomeric soft tissue cleaners, which are typically located on the rear surface of the toothbrush head, have also become quite popular. However, as with the tooth cleaning elements, very little effort has been expended to coordinate the structure of the soft tissue cleaner with the structure of flexible toothbrush heads utilizing a plurality of segments.

BRIEF SUMMARY OF THE INVENTION

[0007] An oral care implement, such as a toothbrush. In one aspect, the invention is an oral care implement comprising a handle and a head. The head is formed by a plurality of spaced-apart segments including a cruciform segment integrally formed with and extending from a distal end of the handle, a first pair of segments located on opposite sides of a longitudinal portion of the cruciform segment, and a second pair of segments located on opposite sides of the longitudinal portion of the cruciform segment, the first pair of segments located on an opposite side of a transverse portion of the cruciform segment from the second pair of segments. The segments of the first and second pairs are flexibly connected to the cruciform segment.

[0008] In one embodiment, the invention can be an oral care implement comprising: a handle; a head connected to the handle and having a longitudinal axis, the head formed by a plurality of segments constructed of a rigid material, the plurality of segments including a cruciform segment connected to and extending from a distal end of the handle, a first pair of segments located on opposite sides of a longitudinal portion of the cruciform segment, and a second pair of segments located on opposite sides of the longitudinal portion of the cruciform segment, the first pair of segments located on an opposite side of a transverse portion of the cruciform segment from the second pair of segments; each of the segments of the first and second pairs being isolated from the cruciform segment by a channel containing an elastomeric material, the elastomeric material flexibly connecting the segments of the first and second pairs to the cruciform

segment; and a plurality of tooth cleaning elements extending from a front surface of the head.

[0009] In a further embodiment, the invention can be an oral care implement comprising: a handle; a head connected to the handle and having a longitudinal axis; a plurality of tooth cleaning elements extending from a front surface of the head; the head formed by a plurality of spaced-apart segments, the plurality of segments including a cruciform segment integrally formed with and extending from a distal end of the handle, a first pair of segments located on opposite sides of a longitudinal portion of the cruciform segment, a second pair of segments located on opposite sides of the longitudinal portion of the cruciform segment, and a distal segment located at a distal end of the longitudinal section of the cruciform segment, the first pair of segments located on an opposite side of a transverse portion of the cruciform segment from the second pair of segments; and wherein the distal segment and the segments of the first and second pairs are flexibly connected to the cruciform segment.

[0010] In a still further embodiment, the invention can be an oral care implement comprising: a handle; a head connected to the handle and having a longitudinal axis; a plurality of tooth cleaning elements extending from a front surface of the head; the head formed by a plurality of spaced-apart segments, the plurality of segments including a cruciform segment integrally formed with and extending from a distal end of the handle, a first pair of segments located on opposite sides of a longitudinal portion of the cruciform segment, and a second pair of segments located on opposite sides of the longitudinal portion of the cruciform segment, the first pair of segments located on an opposite side of a transverse portion of the cruciform segment from the second pair of segments; and wherein the distal segment and the segments of the first and second pairs are flexibly connected to the cruciform segment.

[0011] Further areas of applicability of the present invention will become apparent from the detailed description provided hereinafter. It should be understood that the detailed description and specific examples, while indicating the preferred embodiment of the invention, are intended for purposes of illustration only and are not intended to limit the scope of the invention.

BRIEF DESCRIPTION OF THE DRAWINGS

[0012] This invention is capable of use in a broad array of oral care implements and hygiene products. The drawings illustrate one use of the invention and are not to be construed as the only embodiment of the invention. The present invention will become more fully understood from the detailed description and the accompanying drawings, wherein:

[0013] Figure 1 is a front perspective view of an oral care implement, in the form of a toothbrush, according to one embodiment of the present invention.

[0014] Figure 2 is a rear perspective view of the toothbrush of FIG. 1.

[0015] Figure 3 is a front perspective view of the head of the toothbrush of FIG. 1 wherein the bristle tufts have been removed.

[0016] Figure 4 is a rear perspective view of the head of the toothbrush of FIG. 1.

[0017] Figure 5 is a front view of the head of the toothbrush of FIG. 1 wherein the bristle tufts have been removed.

[0018] Figure 6 is a front perspective view of the rigid material skeleton of the head of the toothbrush of FIG. 1.

[0019] Figure 7 is a rear perspective view of the rigid material skeleton of the head of the toothbrush of FIG. 1.

[0020] Figure 8 is a side view of the rigid material skeleton of the head of the toothbrush of FIG. 1.

[0021] Figure 9 is a front view of the rigid material skeleton of the head of the toothbrush of FIG. 1.

[0022] Figure 10 is a rear view of the rigid material skeleton of the head of the toothbrush of FIG. 1.

[0023] Figure 11 is a close-up view of a quadrant of the head of FIG. 5.

[0024] Figure 12 is a cross-sectional view of the head of the toothbrush of FIG. 1 taken along line XII-XII of FIG. 11, wherein the segments are in a normal state.

[0025] Figure 13 is a cross-sectional view of the head of the toothbrush of FIG. 1 taken along line XII-XII of FIG. 11, wherein the segments are in a flexed state.

[0026] Figure 14 is a close-up view of the distal portion of the head of FIG. 5.

[0027] Figure 15 is a cross-sectional view of the head of the toothbrush of FIG. 1 taken along line XV-XV of FIG. 14, wherein the segments are in a normal state.

[0028] Figure 16 is a cross-sectional view of the head of the toothbrush of FIG. 1 taken along line XVI-XVI of FIG. 14, wherein the segments are in a normal state.

DETAILED DESCRIPTION OF THE INVENTION

[0029] The following description of the preferred embodiment(s) is merely exemplary in nature and is in no way intended to limit the invention, its application, or uses.

[0030] In the following description, the invention is discussed in terms of a manual toothbrush incorporating the novel arrangement of cleaning elements. However, in other forms, the invention could be in the form of other oral care implements including a soft-tissue cleansing implement, a powered toothbrush, or other ansate implement designed for oral care.

[0031] Referring first to FIGS.1-2, a toothbrush **100** is illustrated according to one embodiment of the present invention. The toothbrush **100** generally comprises a handle **110** and a head **120**. The handle **110** provides the user with a mechanism by which he/she can readily grip and manipulate the toothbrush **100**. The handle **110** may be formed of many different shapes, sizes, materials and by a variety of manufacturing methods that are well-known to those skilled in the art. If desired, the handle **110** may include a suitable textured grip **101** made of elastomeric material or can be a multi-part construction. Stated simply, unless specifically stated otherwise, the details of the handle **110** are not limiting of the present invention and, thus, require no further discussion for purposes of the present invention.

[0032] The toothbrush **100** extends from a proximal end **112** to a distal end **113** along a longitudinal axis **A-A**, a portion of which forms the longitudinal axis of the head **120**. The head **120** is connected to a distal end **105** of the handle **110**. As discussed in greater detail below, the skeleton of the head **120** is integrally formed with the handle **110** in certain embodiments of the invention thereby forming a single unitary structure. An injection molding, milling, machining or other suitable process can be used as is known in the art. However, in other embodiments, the handle **110** and the head **120** may be formed as separate components which are operably connected at a later stage of the manufacturing process by any suitable technique known in the art, including without limitation thermal welding, a tight-fit assembly, a coupling sleeve, adhesion, or fasteners.

Whether the head **120** and handle **110** are of a unitary or multi-piece construction (including connection techniques) is not limiting of the present invention in all embodiments.

[0033] It should be noted at this time that relative terms such as distal, middle, proximal, upper, lower, top, bottom, left, right etc. are merely used to delineate relative positions of the components of the toothbrush **100** with respect to one another and are not intended to be in any further way limiting of the present invention.

[0034] The head **120** generally comprises a front surface **121** and a rear surface **122**. The front surface **121** and the rear surface **122** of the head **120** can take on a wide variety of shapes and contours, none of which are limiting of the present invention. For example, the front and rear surfaces **121**, **122** can be planar, contoured or combinations thereof. The head **120** also comprises a right lateral edge **123**, a left lateral edge **124**, and a distal edge **125**, which collectively form the peripheral edge of the head **120** that connect the front and rear surfaces **121**, **122**. In the exemplified embodiment, the distal edge **125** is located at the distal end **113**.

[0035] A plurality of cleaning elements **130** may extend from the front surface **121** of the head **120** for contacting and cleaning an oral surface, preferably teeth. While the plurality of tooth cleaning elements **130** is particularly suited for brushing teeth, the plurality of tooth cleaning elements **130** can also be used to clean other surfaces of the oral cavity if desired. As used herein, the term "tooth cleaning element" is used in a generic sense to refer to any structure that can be used to clean or massage an oral surface through relative surface contact. Common examples of "tooth cleaning elements" include, without limitation, filament bristles, fiber bristles, nylon bristles, spiral bristles, rubber bristles, elastomeric protrusions, flexible polymer protrusions, co-extruded filaments, flag bristles, crimped bristles, anti-bacterial bristles and combinations thereof and/or structures containing such materials or combinations.

[0036] As discussed below, in the exemplified embodiment, the plurality of cleaning elements **130** comprises a plurality of bristle tufts **131** and a plurality of elastomeric cleaning elements **132A-E**. In the exemplified embodiment, the elastomeric cleaning elements **132A-E** are in the form of arcuate elastomeric walls. However, in certain other

embodiments, the elastomeric cleaning elements **132A-E** can be in the form of elastomeric fingers, linear elastomeric walls, and/or combinations thereof. The elastomeric cleaning elements **132A-E** are formed of a suitable elastomeric material. In one embodiment, the elastomeric cleaning elements **132A-E** are formed of a thermoplastic elastomer ("TPE"). Other suitable elastomeric materials include any biocompatible resilient material suitable for uses in an oral hygiene apparatus. To provide optimum comfort as well as cleaning benefits, the elastomeric material preferably has a hardness property in the range of A10 to A40 Shore hardness, and preferably A25 Shore hardness. One preferred elastomeric material is styrene-ethylene/butylene-styrene block copolymer (SEBS) manufactured by GLS Corporation. Nevertheless, SEBS material from other manufacturers or other materials within and outside the noted hardness range could be used.

[0037] Referring now to FIGS. 3-5 concurrently, the details of the head **120** will be described in accordance with one embodiment of the present invention. The head **120** of the toothbrush **100** extends along a longitudinal axis A-A. The head **120** generally comprises a plurality of spaced-apart segments **140-145**. The plurality of segments **140-145** are constructed of a rigid material. In one embodiment, the plurality of segments **140-145** are formed of a hard plastic. Suitable hard plastics include, without limitation, polypropylene. In certain embodiments, the plurality of the segments **140-145** are formed of the same rigid material as the main structural component of the handle **110**.

[0038] In the exemplified embodiment, the plurality of segments **140-145** include a central segment **140** and a plurality of peripheral segments **141-145**. The central segment **140** is non-movably connected to the distal end **105** of the handle **110** in certain embodiments. For example, the central segment **140** may be integrally formed with the distal end **105** of the handle **110**. In one specific embodiment, the main structural component of the handle **110** and a skeleton **400** (FIGS. 6-10) of the head **120** can be integrally formed in single injection molding step (which may use multi-ports for injecting the rigid material in liquid form).

[0039] The central segment **140** acts a hub to which the peripheral segments **141-145** are flexible connected. As discussed in greater detail below, each of the peripheral segments

141-145 are flexibly connected to the central segment **140** by an elastomeric material **146** that fills channels **157-159B** (referring to FIG. 6, for example) formed between adjacent segments **140-145** and struts **148-152** that extend between the central segment **140** and the peripheral segments **141-145**.

[0040] In the exemplified embodiment, the central segment **140** has a cruciform shape. Of course, the invention is not limited in all embodiments and may take on other shapes in certain other embodiments, including T-shaped, rectangular, oval, triangular, polygonal, or irregular. For purposes of discussion, the central segment **140** will be referred to as a cruciform segment **140** throughout the remainder of this written description because the exemplified embodiment is cruciform in shape. The cruciform segment **140** comprises a longitudinal portion **140A** and a transverse portion **140B** that intersect at a central juncture portion **140C**. The longitudinal portion **140A** extends along the longitudinal axis **A-A** in a coaxial alignment while the transverse portion **140B** extends substantially perpendicular to the longitudinal axis **A-A**. In the exemplified embodiment, the transverse portion **140B** extends the entire width of the head **120** (wherein the width of the head **120** is the distance between the right and left lateral edges **123, 124** measured substantially perpendicular to the longitudinal axis **A-A**) while the longitudinal portion **140A** extends less than the entire length of the head **120** (wherein the length of the head **120** is the distance between a proximal end **147** of the head **120** (FIG. 6) to the distal edge **125** of the head **120** measured along the longitudinal axis **A-A**).

[0041] In the exemplified embodiment, the plurality of peripheral segments **141-145** comprises a distal segment **143**, a first pair of segments **141, 145**, and a second pair of segments **142, 144**. The distal segment **143** is located at a distal end **153** of the cruciform segment **140**. The first pair of segments **141, 145** are located on opposite sides of the longitudinal portion **140A** of the cruciform segment **140**. The second pair of segments **142, 144** are also located on opposite sides of the longitudinal portion **140A** of the cruciform segment **140**. However, the first pair of segments **141, 145** are located on an opposite side of a transverse portion **140B** of the cruciform segment **140** than the second pair of segments **142, 144**. Each of the segments **141-142, 144-145** of the first and second pairs are isolated from the cruciform segment **140** by the channels **158A-159B** containing the elastomeric material **146**. The distal segment **143** is also isolated from the

cruciform segment **140** and the second pair of segments **142, 144** by a transverse channel **157** containing the elastomeric material **146**. The various channels **157-159B** will be described in greater below with respect to FIGS. 6-10.

[0042] Each of the plurality of segments **140-145** comprises a front surface **121A-121F**. The front surfaces **121A-F** of the segments **140-145** collectively form the front surface **121** of the head **120** in combination with the elastomeric material **146** of the channels. As will be described in greater below with respect to FIGS. 11-13, portions of the front surfaces **121A-C, 121E-F** of the segments **140-142, 144-145** are covered (i.e., overlaid) by base portions of the elastomeric cleaning elements **132A-D**. However, a substantial majority of the front surfaces **121A-F** of the segments **140-145** remain exposed, thereby forming bristle regions from which the bristle tufts **131** extend from the segments **140-145**. The rigid material of the segments **140-145** is exposed via the bristle regions and provide a sufficiently rigid structure to which the bristle tufts **131** can be secured.

[0043] Each of the segments **140-145** includes a plurality of bristle tufts **131** extending from the front surfaces **121A-F**. In the exemplified embodiment, the bristle tufts **131** are secured to the segments **140-145** by anchoring the bristle tufts **131** in tuft holes **154** formed in the front surfaces **121A-F**. The bristle tufts **131** can be anchored within the tuft holes **154** using staples, sonic welding, and other techniques known in the art. However, in alternate embodiments, the bristle tufts **131** can be secured to the segments **140-145** in any manner known in the art. For example, anchor free tufting (AFT) could be used to mount the bristle tufts **131**. In AFT, a plate or membrane is secured to the segments **140-145**, such as by ultrasonic welding. The bristle tufts **131** (or other tooth cleaning elements) extend through the plate or membrane. The free ends of the bristle tufts **131** on one side of the plate or membrane perform the cleaning function. The ends of the bristle tufts **131** on the other side of the plate or membrane are melted together by heat to be anchored in place.

[0044] The peripheral segments **141-142, 144-145** of the first and second pairs further comprise side surfaces **155A-D**. Similarly, the transverse portion **140B** of the cruciform segment **140** (which is also the central segment more generally) also comprises side surfaces **156A-B**. Each of the side surfaces **155A-B** of the peripheral segments **141-142**

and the side surface **156A** of the cruciform segment **140** form a portion of the right lateral edge **123** of the head **120**. Similarly, the side surfaces **155C-D** of the peripheral segments **144-145** and the side surface **156B** of the cruciform segment **140** form a portion of the left lateral edge **124** of the head **120**. The side surfaces **155A-D** of the peripheral segments **141-142**, **144-145** and the side surfaces **156A-B** of the cruciform segment **140** are not covered by the elastomeric material **146** of the channels **157-159B**, thereby remaining exposed.

[0045] Referring now to FIGS 6-10 concurrently, the structure of the head **120** will be described in greater detail. In FIGS. 6-10, all of the elastomeric material **146** of the head **120** (including the elastomeric material **146** of the channels **157-159B**, the elastomeric soft tissue cleaner **200**, and the elastomeric cleaning elements **132A-E**) has been removed, thereby exposing the skeleton **400** which is formed of the rigid material, such as a hard plastic, such as polypropylene. The skeleton **400** comprises the segments **140-145** and the struts **148-152**. In one embodiment, the entirety of the skeleton **400** may be formed integrally as a unitary structure. However, in other embodiments, the components of the skeleton **400** may be formed separately and later assembled. Moreover, in certain alternative embodiments, one or all of the struts **148-152** may be omitted all together. In such an embodiment, the segments **140-145** would be flexibly connected together solely by the elastomeric material **146**. Furthermore, while the exemplified embodiment of the head **120** of the present invention comprises six segments **140-145**, in other embodiments, more or less segments may be used as desired.

[0046] As mentioned above, the segments **140-145** of the head **120** are spaced apart from one other. As a result, adjacent segments **140-145** of the head **120** are separated by one or more of the channels **157-159B**. In the exemplified embodiment, the peripheral segment **141** is isolated from the cruciform segment **140** by the channel **159B** while the peripheral segment **145** is isolated from the cruciform segment **140** by the channel **159A**. The channels **159A-B** may be curved channels. In the exemplified embodiment, the channels **159A-B** are arcuate and take on a substantially U-shape. However, it is contemplated that the channels **159A-B** can take on other appropriate shapes in other embodiments.

[0047] Similarly, the peripheral segment **142** is isolated from the cruciform segment **140** by a channel **158B** while the peripheral segment **144** is isolated from the cruciform segment **140** by a channel **158A**. The channels **158A-B** may also be curved channels. In the exemplified embodiment, the channels **158A-B** are arcuate and take on a substantially J-shape. However, it is contemplated that the channels **158A-B** can take on other appropriate shapes in other embodiments. For example, the channels **158A-B** may take on a substantially U-shaped and a portion of each of the channels **158A-B** may coincide with a portion of the transverse channel **157**.

[0048] The distal segment **143** is isolated from the cruciform segment **140** by a transverse channel **157**. The transverse channel **157** also isolates the distal segment **143** from second pair of peripheral segments **142, 144**. The transverse channel **157** is a curved channel. In the exemplified embodiment, the transverse channel **157** takes on a generally undulating shape. Moreover, the transverse channel **157** extends across the entire width of the head **120**. In other words, the transverse channel **157** extends from the right lateral edge **123** to the left lateral edge **124** of the head **120**. In some embodiments, a portion of the transverse channel **157** may coincide with a portion of the channel **158A**. Similarly, in some embodiments, a portion of the transverse channel **157** may coincide with a portion of the channel **158B**.

[0049] The the struts **148-152** are disposed within the channels **157-159B** and connect the peripheral segments **141-145** to the cruciform segment **140**. Specifically, the strut **148** connects the segment **141** to the cruciform segment **140**. The strut **149** connects the segment **142** to the cruciform segment **140**. The strut **150** connects the distal segment **143** to the cruciform segment **140**. The strut **151** connects the segment **144** to the cruciform segment **140**. The strut **152** connects the segment **145** to the cruciform segment **140**. While the foregoing description provides that one of the struts **148-152** connects one of the peripheral segments **141-145** to the cruciform segment **140**, it is contemplated that more than one struts **148-152** or connection members may be used to connect the peripheral segments **141-145** to the cruciform segment **140**.

[0050] The struts **148-152** are thin beam or thin shelf structures that extend between the peripheral segments **141-145** and the cruciform segment **140**, thereby forming a flexible

bridge therebetween. In one embodiment, the struts **148-152** are formed of a rigid material, such as a hard plastic, such as polypropylene. In a more specific embodiment, the struts **148-152** are formed of the same rigid material of which the segments **140-145** are formed, and possibly integrally formed therewith. While the struts **148-152** are constructed of what is considered a relatively rigid material in the art, flexibility of the struts **148-152** is still afforded by the thinned nature of the struts **148-152**. For example, the struts **148-152** have a thickness t_1 (measured along an axis that is substantially perpendicular to the longitudinal axis A-A and passes through the front and rear surfaces) that is less than a thickness t_2 of the segments **140-145** (measured along an axis that is substantially perpendicular to the front surfaces **121A-F** of the segments **140-145**) (FIG. 12). In one embodiment, the ratio of $t_1:t_2$ is in a range of about 1:2 to about 1:5. Of course, the invention is not limited. When the channels **157-159B** are filled with the elastomeric material **146**, the struts **148-152** are encapsulated within the elastomeric material **146**.

[0051] Referring again to FIGS. 6-10, each of the segments **140-145** further comprises at least one protuberance extending from a rear surface **160A-F** of the segments **140-145**. In the exemplified embodiment, cruciform segment **140** comprises five protuberances, namely two arcuate ridges **161A-B**, a central post **162**, and two protuberances **163-164**. Of course, more or less protuberances can be used as desired. The peripheral segment **141** comprises the protuberance **169**. The peripheral segment **142** comprises the protuberance **168**. The distal segment **143** comprises the protuberance **167**. The peripheral segment **144** comprises the protuberance **166**. The peripheral segment **145** comprises the protuberance **165**. As will be discussed in greater detail below, one the purposes of the protuberances **161-169** is provide a contact surface for a mold used inject elastomeric material, in its liquid form, onto the skeleton **400** to fill the channels **157-159B**, to form the elastomeric soft tissue cleaner **200**, and to form the elastomeric cleaning elements **132A-E**. Another purpose of one or all of the protuberances **161-169** is to provide an element that engages and/or scrapes soft oral tissue during use of the elastomeric soft tissue cleaner **200**.

[0052] Referring now to FIGS. 4, 8, 10 and 12 concurrently, the oral care implement **100** further comprises an elastomeric soft tissue cleaner **200** located on the rear surface **122** of

the head **120**. The elastomeric soft tissue cleaner **200** is formed of an elastomeric material. The elastomeric material of the elastomeric soft tissue cleaner **200** may be any biocompatible resilient material suitable for uses in an oral hygiene apparatus. To provide optimum comfort as well as cleaning benefits, the elastomeric material preferably has a hardness property in the range of A8 to A25 Shore hardness. As an example, one preferred elastomeric material is styrene-ethylene/butylene-styrene block copolymer (SEBS) manufactured by GLS Corporation. Nevertheless, SEBS material from other manufacturers or other materials within and outside the noted hardness range could be used. In one embodiment, the elastomeric soft tissue cleaner **200** is integrally formed with the elastomeric material **146** of the channels **157-159B** and the elastomeric cleaning elements **132A-E**.

[0053] The elastomeric soft tissue cleaner **200** comprises a plurality of protuberances, in the form of nubs **201** and ridges **202**, extending from a base surface **203** of the elastomeric soft tissue cleaner **200**. As used herein a "nub" generally refers to a column-like protrusion (without limitation to the cross-sectional shape of the protrusion) which is upstanding from a base surface. In a general sense, the nub, in the preferred construction, has a height that is greater than the width at the base of the nub (as measured in the longest direction). Nevertheless, nubs could include projections wherein the widths and heights are roughly the same or wherein the heights are somewhat smaller than the base widths. Moreover, in some circumstances (e.g., where the nub tapers to a tip or includes a base portion that narrows to a smaller projection), the base width can be substantially larger than the height.

[0054] In one preferred arrangement of the elastomeric soft tissue cleaner **200**, the nubs **201** are preferably conically shaped. As used herein, "conically shaped" or "conical" is meant to include true cones, frusto-conically shaped elements, and other shapes that taper to a narrow end and thereby resemble a cone irrespective of whether they are uniform, continuous in their taper, or have rounded cross-sections.

[0055] The protuberances **201**, **202** of the elastomeric soft tissue cleaner **200** may help to significantly reduce a major source of bad breath in people and improve hygiene. The protuberances **201**, **202** of the elastomeric soft tissue cleaner **200** enable removal of

microflora and other debris from the tongue and other soft tissue surfaces within the mouth. The tongue, in particular, is prone to develop bacterial coatings that are known to harbor organisms and debris that can contribute to bad breath. This microflora can be found in the recesses between the papillae on most of the tongue's upper surface as well as along other soft tissue surfaces in the mouth. When engaged or otherwise pulled against a tongue surface, the nubs **201** of the elastomeric tissue cleaner **200** provide for gentle engagement with the soft tissue while reaching downward into the recesses of adjacent papillae of the tongue. The ridges **202** of the elastomeric tissue cleaner **200** then scrape the soft oral tissue surface, thereby removing the dislodged debris. The elastomeric construction of the elastomeric soft tissue cleaner **200** also enables the base surface **203** to follow the natural contours of the oral tissue surfaces, such as the tongue, cheeks, lips, and gums of a user. Moreover, the nubs **201** and ridges **202** are able to flex as needed to traverse and clean the soft tissue surfaces in the mouth along which it is moved.

[0056] In one embodiment, the elastomeric soft tissue cleaner **200** overlies the rear surfaces **160A-F** of the segments **140-145**. The protuberances **161A-169** of the segments **140-145** extend through the elastomeric soft tissue cleaner **200**. Thus, a portion of each of the protuberances **161A-169** remains exposed on the rear surface **122** of the head **120**. In the exemplified embodiment, the protuberances **161A-B, 162** of the cruciform segment **140** are substantially flush with the base surface **203** of the elastomeric soft tissue cleaner **200**. However, the protuberances **163-169** of the segments **140-145** extend beyond and, thus, protrude from the base surface **203** of elastomeric soft tissue cleaner **200**.

[0057] Whether the protuberances **161A-169** are flush or protrude from the base surface **163** of the elastomeric soft tissue cleaner **200**, the exposed portions of the protuberances **161A-169** provide contact surfaces for the mold during injection molding of elastomeric soft tissue cleaner **200** to the skeleton **400**. By providing a protuberance **161A-169** having an exposed portion on each of the segments **140-145**, each of the segments **140-145** can be maintained in a stable orientation during the injection molding process that flows the elastomeric material **146** into the channels **157-159B**, forms the elastomeric soft tissue cleaner **200**, and/or forms the elastomeric cleaning elements **132A-E**. Furthermore, the protuberances **163-169** of the segments **140-145** that protrude from the

base surface **163** of the elastomeric soft tissue cleaner **200** work in coordinated manner with the protuberances **201, 202** of the elastomeric soft tissue cleaner **200** to engage and clean soft oral tissue.

[0058] Referring now to FIGS. 4, 12, 14 and 16 concurrently, it can be seen that the elastomeric soft tissue cleaner **200** further comprises a plurality of grooves **204, 205A, 205B** formed into the base surface **203**. As discussed in greater detail below, the plurality of grooves **204, 205A** are aligned with the channels **157-159B**, which contain the elastomeric material **146**. More specifically, the plurality of grooves **204, 205A-B** are aligned with the channels **157-159B** so that an axis that is perpendicular to the longitudinal axis **A-A** (such as axis **C-C** of FIG. 12) intersects both the channels **157-159B** and the grooves **204, 205A-B**.

[0059] In the exemplified embodiment, the elastomeric soft tissue cleaner **200** comprises a transverse groove **204** and two spaced-apart longitudinal grooves **205A, 205B**. The transverse groove **204** extends transversely across the entire width of the head **120** from the right lateral edge **123** to the left lateral edge **124**. The transverse groove **204** is aligned with the transverse channel **157** (best visible in FIG. 16). As a result, an axis that is perpendicular to the longitudinal axis **A-A** intersects both the transverse channel **157** and the transverse groove **204**. As shown in FIGS. 12 and 14, the transverse channel **157** is nonlinear and extends generally along axis **D-D**. The transverse groove **204** also extends generally along axis **D-D**. The transverse groove **204** forms an upstanding transverse wall **206** that spans across the entire width of the head **120**. This upstanding transverse wall **206** further assists with soft tissue cleaning when the elastomeric soft tissue cleaner **200** is dragged across a soft oral tissue by creating an additional scraping ridge. Moreover, the transverse nature of the groove **204** further assists during soft tissue cleaning by channeling fluid and dislodged debris to the lateral edges **123, 124** where it escapes from the elastomeric soft tissue cleaner **200** and does not become pressed back into the soft tissue. In addition to assisting with soft tissue cleaning, the transverse groove **204**, by nature of being aligned with the transverse channel **157**, also assist with tooth cleaning by providing an added amount of flexibility to the distal segment **143** relative to the cruciform segment **140**.

[0060] The longitudinal grooves **205A, B** extend longitudinally from the transverse groove **204** toward the proximal end **147** of the head **120**, terminating at the right and left lateral edges **123, 124** of the head **120** adjacent the proximal end **147**. The longitudinal groove **205A** is aligned with portions of both the channel **158B** and the channel **159B** (FIG. 12). The longitudinal groove **205B** is aligned with portions of both the channel **158A** and the channel **159A**. Similar to the transverse groove **204**, the longitudinal grooves **205A, B** assist with soft tissue cleaning by channeling fluid and dislodged debris to the lateral edges **123, 124** where it escapes from the elastomeric soft tissue cleaner **200** and does not become pressed back into the soft tissue. The longitudinal channels **205A, B** terminate at locations on the right and left lateral edges **123, 124** closer to the proximal end **147** of the head **120** than does the transverse groove **204** such that the fluids and debris are dispensed at different locations so as to prevent clogging. Moreover, by nature of being aligned with the channels **158B, 159B**, the longitudinal groove **205A** assists with tooth cleaning by providing an added amount of flexibility to the peripheral segments **141, 142** relative to the cruciform segment **140**. Similarly, by nature of being aligned with the channels **158A, 159A**, the longitudinal groove **205B** assists with tooth cleaning by providing an added amount of flexibility to the peripheral segments **144, 145** relative to the cruciform segment **140**.

[0061] Referring now to FIGS. 3, 11 and 12 concurrently, one embodiment of an elastomeric cleaning element and its structural cooperation with the head **120** will be described. For purposes of discussion, the following description will refer to the elastomeric cleaning element **132B** as an elastomeric wall **132B** because the exemplified embodiment depicts a wall. While the embodiment of the elastomeric cleaning element will be described in relation to the elastomeric wall **132B** and its interaction with the channel **158B** and the elastomeric material **146** contained therein, it is to be understood that the discussion below is applicable to the other elastomeric walls **132A, 132C, 132D** and their interaction with the channels **159B, 159A, 158A** and the elastomeric material **146** contained therein. Moreover, while the invention will be discussed in terms of an elastomeric wall, it is to be understood that the principles discussed below could be applied to elastomeric fingers and other elastomeric structures in other embodiments.

[0062] The elastomeric wall **132B** is an arcuate wall that extends along the curved channel **158B**. More specifically, the channel **158B** extends along curved axis **B-B**. In the exemplified embodiment, the elastomeric wall **132B** also extends along the curved axis **B-B** and extends upward from the front surface **121** of the head **120** along an axis **C-C**. In FIG. 12, the segments **140**, **142** of the head **120** are in a normal state (i.e., a state in which no forces are applied to the head **120**). In the normal state, the segments **140**, **142** are not flexed relative to one another and the surfaces **121A**, **121C** of the segments are substantially coplanar. In FIG. 13, the segments **140**, **142** of the head **120** are in a flexed state (i.e., a state in which forces imparted during normal brushing are applied to the head **120**). In the flexed state, the segments **140**, **142** are flexed relative to one another so that the surfaces **121A**, **121C** are moved into a non-coplanar arrangement. Upon cessation of brushing forces, the elastomeric material **146** of the channel **158B** and the strut **149** bias the segments **140**, **142** back into the normal state. The invention, however, is not limited to instances where the front surfaces **121A**, **121C** are in a coplanar arrangement in the normal state and flexed into a non-coplanar arrangement in the flexed state. In certain alternative embodiments, the front surfaces **121A**, **121C** could be in a non-coplanar arrangement in the normal state and flexed into a coplanar arrangement in the flexed state. In still another alternative embodiment, the front surfaces **121A**, **121C** could be in a first non-coplanar arrangement (i.e., at a first angle relative to one another) in the normal state and flexed into a second non-coplanar arrangement (i.e., at a second different angle relative to one another) in the flexed state. It is contemplated that the arrangement of the front faces **121A**, **121C** in the normal state and the flexed state can be altered, if desired.

[0063] Referring to FIG. 12, the elastomeric wall **132B** generally comprises a root portion **170**, a base portion **171** and an upper portion **172**. The root portion **170** is disposed within the channel **158B** and connected to the elastomeric material **146** within the channel **158B**. The root portion **170** extends upward from the elastomeric material **146** along an axis **C-C** and connects to a lower end **173** of the base portion **171**. The base portion **171** extends upward along the axis **C-C** from the lower end **173** to an upper end **174**. The upper portion **172** of the elastomeric wall **132B** extends upward along the axis **C-C** from the upper end **174** of the base portion **171** to a terminal end **175**. In the

exemplified embodiment, the terminal end **175** is flat. However, in other embodiments, the terminal end **175** can be rounded or tapered, or be in the form of other suitable shapes.

[0064] The lower end **173** of the base portion **171** of the elastomeric wall **132B** has a width W_3 , measured perpendicular to the axis **B-B**. The upper end **174** of the base portion **171** of the elastomeric wall **132B** has a width W_2 , measured perpendicular to the axis **B-B**. The width W_2 is less than the width W_3 . The width W_3 of the lower end **173** of the base portion **171** of the elastomeric wall **132B** is greater than the width W_1 of the channel **158B**, measured perpendicular to the axis **B-B**. As a result of the width W_3 being greater than the width W_1 , the lower end **173** of the base portion **171** overlies portions **178**, **179** of the front surfaces **121C**, **121A** of the segments **142**, **140** respectively. The remainder of the front surfaces **121C**, **121A** of the segments **142**, **140** remain exposed.

[0065] In the exemplified embodiment, the base portion **171** comprises two oblique surfaces **176**, **177** and, thus, the base portion **171** gradually tapers in width from the lower end **173** to the upper end **174**. In alternate embodiments, the base portion **171** may include stepped surfaces rather than the two oblique surfaces **176**, **177**. In such an embodiment, the base portion **171** would taper in a stepped manner rather than gradually.

[0066] The upper portion **172** of the elastomeric wall **132B** comprises a first major surface **180** and a second major surface **181** that is opposite to the first major surface **180**. In the exemplified embodiment, the first and second major surfaces **180**, **181** are substantially parallel to one another, thereby resulting in the upper portion **172** having a constant width W_2 along its height. In certain embodiments, the width W_2 will be equal to or less than the width W_1 of the channel **158B**. In one specific embodiment, the width W_2 may be substantially equal to the width W_1 of the channel **158B**.

[0067] By designing the elastomeric wall **132B** so that the base portion **171** is wider than the upper portion **172**, the upper portion **172** remains flexible so that it can wipe the surfaces of teeth. However, the base portion **171** will provide structural integrity and helps prevent excessive wear/bending of the elastomeric wall **132B**. Moreover, by connecting the lower end **173** of the base portion **171** to the portions **178**, **179** of the front surfaces **121C**, **121A** of the segments **142**, **140**, the elastomeric wall **132B** will assist in

preventing over-flexing of the segments **142**, **140** relative to one another while being imparted with extra motion induced by said limited flexing between the segments **142**, **140**.

[0068] As used throughout, ranges are used as shorthand for describing each and every value that is within the range. Any value within the range can be selected as the terminus of the range. In addition, all references cited herein are hereby incorporated by referenced in their entireties. In the event of a conflict in a definition in the present disclosure and that of a cited reference, the present disclosure controls.

[0069] While the foregoing description and drawings represent the exemplary embodiments of the present invention, it will be understood that various additions, modifications and substitutions may be made therein without departing from the spirit and scope of the present invention as defined in the accompanying claims. In particular, it will be clear to those skilled in the art that the present invention may be embodied in other specific forms, structures, arrangements, proportions, sizes, and with other elements, materials, and components, without departing from the spirit or essential characteristics thereof. One skilled in the art will appreciate that the invention may be used with many modifications of structure, arrangement, proportions, sizes, materials, and components and otherwise, used in the practice of the invention, which are particularly adapted to specific environments and operative requirements without departing from the principles of the present invention. The presently disclosed embodiments are therefore to be considered in all respects as illustrative and not restrictive, the scope of the invention being defined by the appended claims, and not limited to the foregoing description or embodiments.

CLAIMS

WHAT IS CLAIMED IS:

1. An oral care implement comprising:
 - a handle;
 - a head connected to the handle and having a longitudinal axis, the head formed by a plurality of segments constructed of a rigid material, the plurality of segments including a cruciform segment connected to and extending from a distal end of the handle, a first pair of segments located on opposite sides of a longitudinal portion of the cruciform segment, and a second pair of segments located on opposite sides of the longitudinal portion of the cruciform segment, the first pair of segments located on an opposite side of a transverse portion of the cruciform segment from the second pair of segments;
 - each of the segments of the first and second pairs being isolated from the cruciform segment by a channel containing an elastomeric material, the elastomeric material flexibly connecting the segments of the first and second pairs to the cruciform segment; and
 - a plurality of tooth cleaning elements extending from a front surface of the head.
2. The oral care implement according to claim 1 wherein the cruciform segment is non-movably connected to the handle.
3. The oral care implement according to any one of claims 1 to 2 wherein the cruciform segment is integrally formed with the handle.
4. The oral care implement according to any one of claims 1 to 3 wherein the plurality of segments further comprises a distal segment at a distal end of the longitudinal portion of the cruciform segment, the distal segment isolated from the cruciform segment and the segments of the second pair by a transverse channel containing the elastomeric material, the elastomeric material in the transverse channel flexibly connecting the distal segment to the segments of the second pair and the cruciform segment.

5. The oral care implement according to any one of claims 1 to 4 wherein each of the segments of the first and second pairs is further connected to the cruciform segment by a strut disposed within the channel that is formed of the rigid material.
6. The oral care implement according to claim 5 wherein the struts are integrally formed with the cruciform segment and the segments of the first and second pairs.
7. The oral care implement according to any one of claims 5 to 6 wherein the struts have a first thickness and the cruciform segment and the segments of the first and second pairs have a second thickness, wherein the first thickness is less than the second thickness.
8. The oral care implement according to any one of claims 5 to 7 wherein the struts are encapsulated in the elastomeric material of the channels.
9. The oral care implement of according to any one of claims 1 to 8 wherein each of the segments of the first and second pairs and the cruciform segment comprise at least one bristle tuft extending from a front surface of the head.
10. The oral care implement according to any one of claims 1 to 9 wherein the transverse portion of the cruciform segment extends the entire width of the head.
11. The oral care implement according to any one of claims 1 to 10 wherein the plurality of tooth cleaning elements comprises at least one elastomeric cleaning element extending from the front surface of the head that is integrally formed with the elastomeric material of the channels.
12. The oral care implement according to any one of claims 1 to 11 further comprising an elastomeric soft tissue cleaner located on a rear surface of the head opposite the front surface of the head, the elastomeric soft tissue cleaner comprising a plurality of protuberances for engaging soft oral tissue and being integrally formed with the elastomeric material of the channels.
13. The oral care implement according to any one of claims 1 to 13 wherein each of the segments of the first and second pairs is isolated from the cruciform segment by a curved channel.

14. The oral care implement according to claim 13 wherein each segment of the first pair is isolated from the cruciform segment by a generally U-shaped channel, and wherein each of segments of the second pair are isolated from the cruciform segment by a generally J-shaped channel.
15. The oral care implement according to any one of claims 1 to 14 wherein side surfaces of the transverse portion of the cruciform segment and side surfaces of the segments of the first and second pairs form portions of a lateral edge of the head.
16. An oral care implement comprising:
- a handle;
 - a head connected to the handle and having a longitudinal axis;
 - a plurality of tooth cleaning elements extending from a front surface of the head;
- the head formed by a plurality of spaced-apart segments, the plurality of segments including a cruciform segment integrally formed with and extending from a distal end of the handle, a first pair of segments located on opposite sides of a longitudinal portion of the cruciform segment, a second pair of segments located on opposite sides of the longitudinal portion of the cruciform segment, and a distal segment located at a distal end of the longitudinal section of the cruciform segment, the first pair of segments located on an opposite side of a transverse portion of the cruciform segment from the second pair of segments; and
- wherein the distal segment and the segments of the first and second pairs are flexibly connected to the cruciform segment.
17. The oral care implement according to claim 16 wherein the distal segment and the segments of the first and second pairs are isolated from the cruciform segment by a plurality of channels containing an elastomeric material, the elastomeric material flexibly connecting the distal segment and the segments of the first and second pairs to the cruciform segment.

18. The oral care implement according to any one of claims 16 to 17 wherein the distal segment is isolated from the cruciform segment and the segments of the second pair by a transverse channel, and wherein each of the segments of the first and second pairs is isolated from the cruciform segment by a curved channel.
19. The oral care implement according to claim 18 wherein each segment of the first pair is isolated from the cruciform segment by a generally U-shaped channel, and wherein each of segments of the second pair is isolated from the cruciform segment by a generally J-shaped channel.
20. The oral care implement according to any one of claims 18 to 19 wherein the transverse channel extends across the entire width of the head.
21. The oral care implement according to any one of the claims 17 to 20 wherein the distal segment and each of the segments of the first and second pairs are further connected to the cruciform segment by a flexible strut disposed within the channels that is formed of a rigid material.
22. The oral care implement according to claim 21 wherein the cruciform segment, the distal segment and the segments of the first and second pairs are formed of the rigid material, the struts being integrally formed with the cruciform segment, the distal segment and the segments of the first and second pairs.
23. The oral care implement according to any one of the claims 21 to 22 wherein the struts have a first thickness and the cruciform segment and the segments of the first and second pairs have a second thickness, wherein the first thickness is less than the second thickness.
24. The oral care implement according to any one of the claims 16 to 23 wherein the cruciform segment, the distal segment, and each of the segments of the first and second pairs comprise at least one bristle tuft extending from a front surface of the head.
25. The oral care implement according to any one of the claims 16 to 24 wherein the transverse portion of the cruciform segment extends the entire width of the head.

26. The oral care implement according to any one of the claims 16 to 25 wherein side surfaces of the transverse portion of the cruciform segment and side surfaces of the segments of the first and second pairs form portions of a lateral edge of the head.
27. An oral care implement comprising:
- a handle;
 - a head connected to the handle and having a longitudinal axis;
 - a plurality of tooth cleaning elements extending from a front surface of the head;
 - the head formed by a plurality of spaced-apart segments, the plurality of segments including a cruciform segment integrally formed with and extending from a distal end of the handle, a first pair of segments located on opposite sides of a longitudinal portion of the cruciform segment, and a second pair of segments located on opposite sides of the longitudinal portion of the cruciform segment, the first pair of segments located on an opposite side of a transverse portion of the cruciform segment from the second pair of segments; and
 - wherein the segments of the first and second pairs are flexibly connected to the cruciform segment.
28. The oral care implement according to claim 27 wherein the segments of the first and second pairs are isolated from the cruciform segment by a plurality of channels containing an elastomeric material, the elastomeric material flexibly connecting the segments of the first and second pairs to the cruciform segment.
29. The oral care implement according to claim 28 wherein each segment of the first pair is isolated from the cruciform segment by a generally U-shaped channel, and wherein each of segments of the second pair is isolated from the cruciform segment by a generally J-shaped channel.
30. The oral care implement according to any one of the claims 28 to 29 wherein each of the segments of the first and second pairs are further connected to the

cruciform segment by a flexible strut disposed within the channels that is formed of a rigid material.

31. The oral care implement according to claim 30 wherein the cruciform segment and the segments of the first and second pairs are formed of the rigid material, the struts being integrally formed with the cruciform segment and the segments of the first and second pairs.

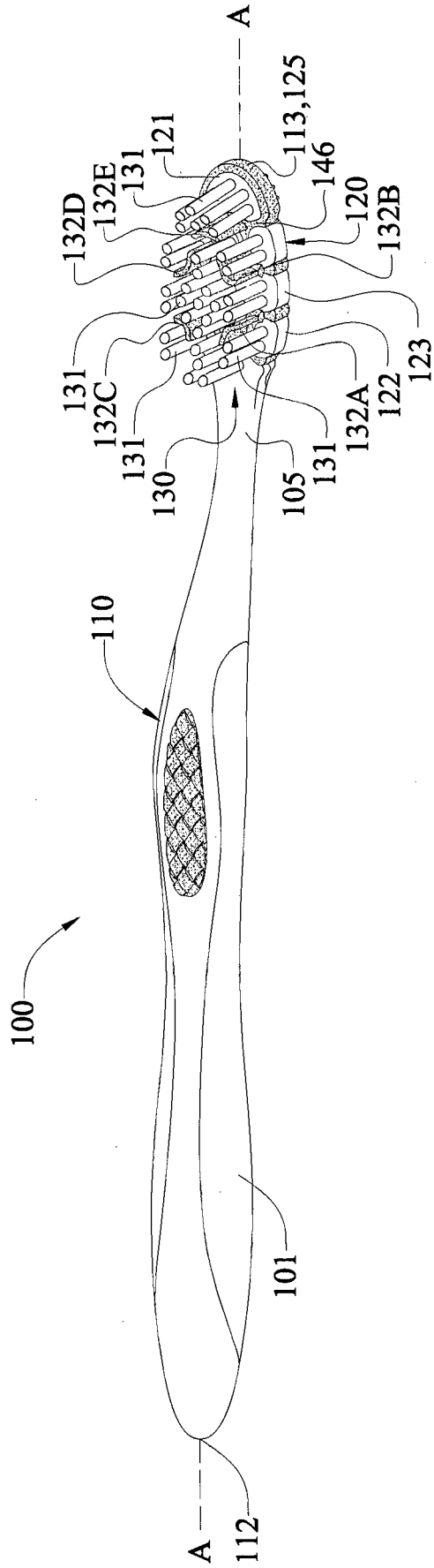


FIGURE 1

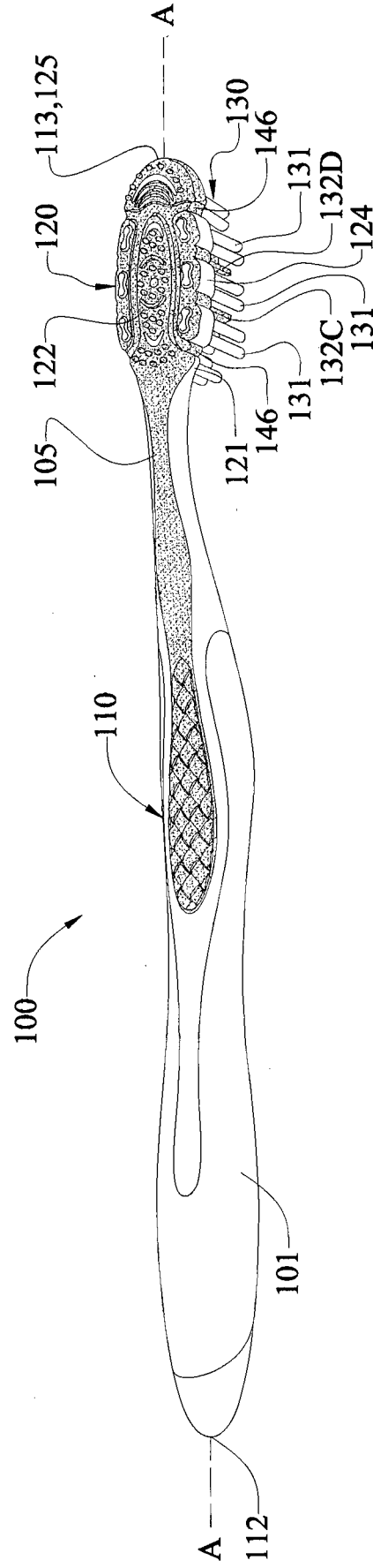


FIGURE 2

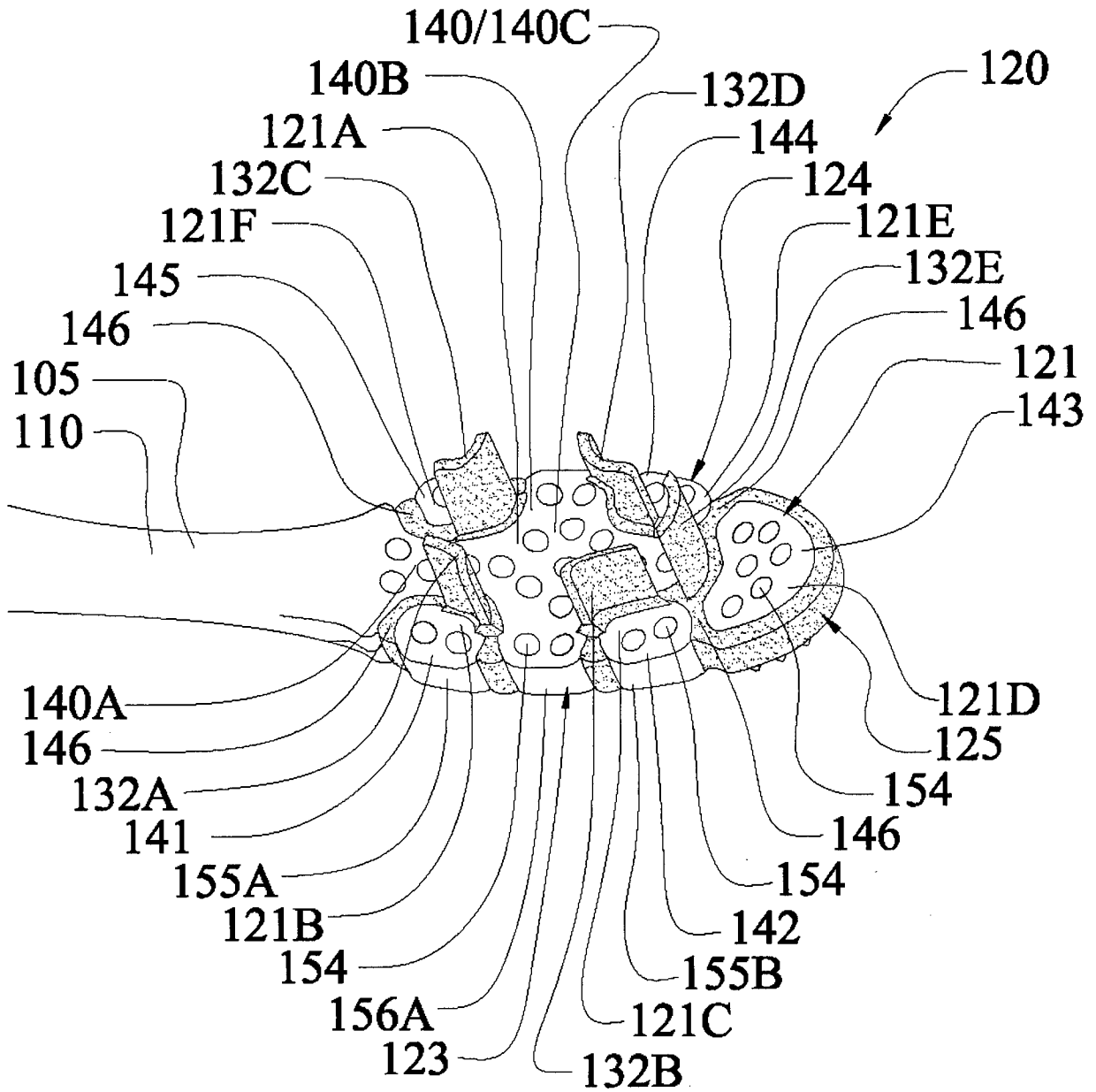


FIGURE 3

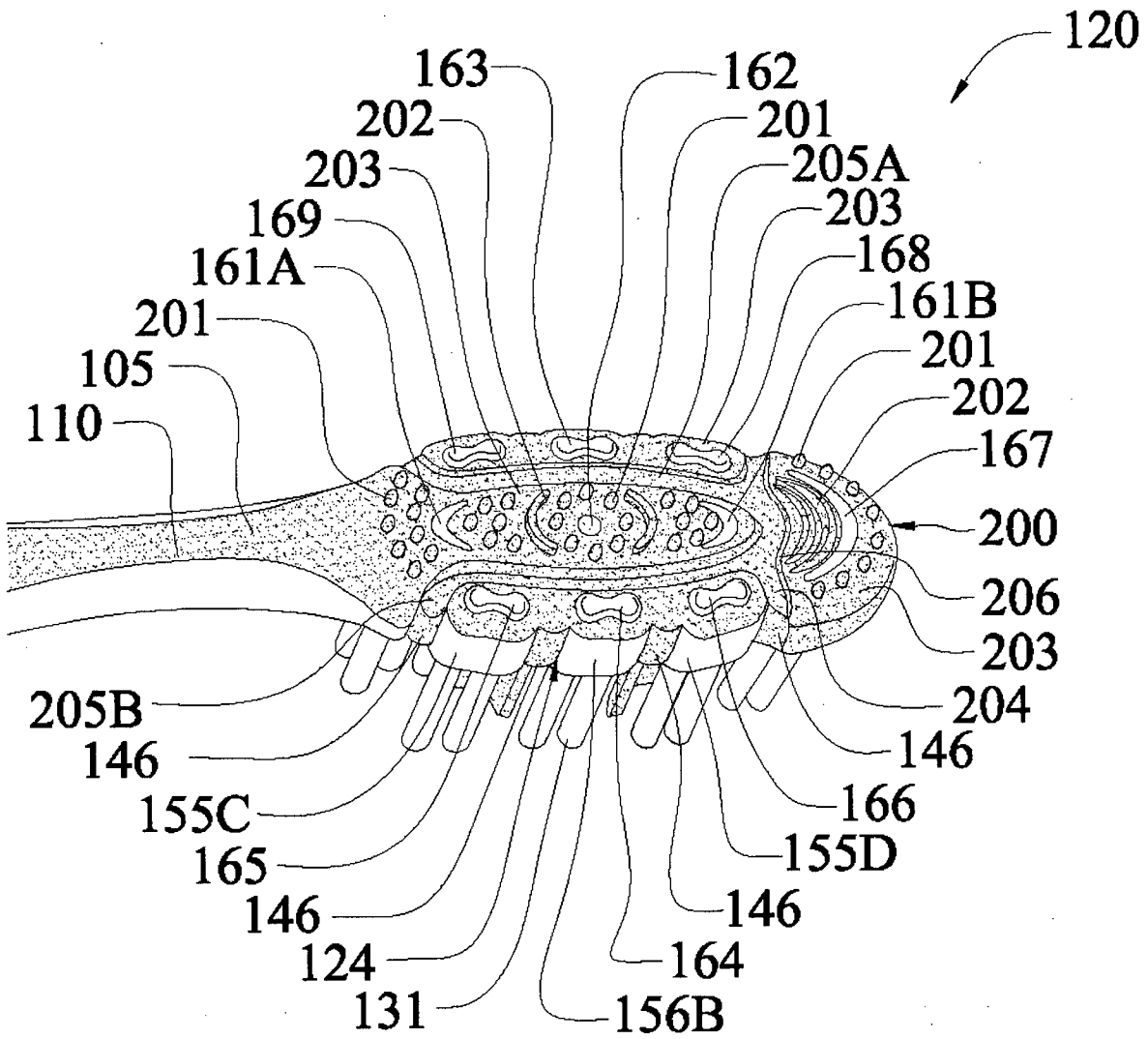


FIGURE 4

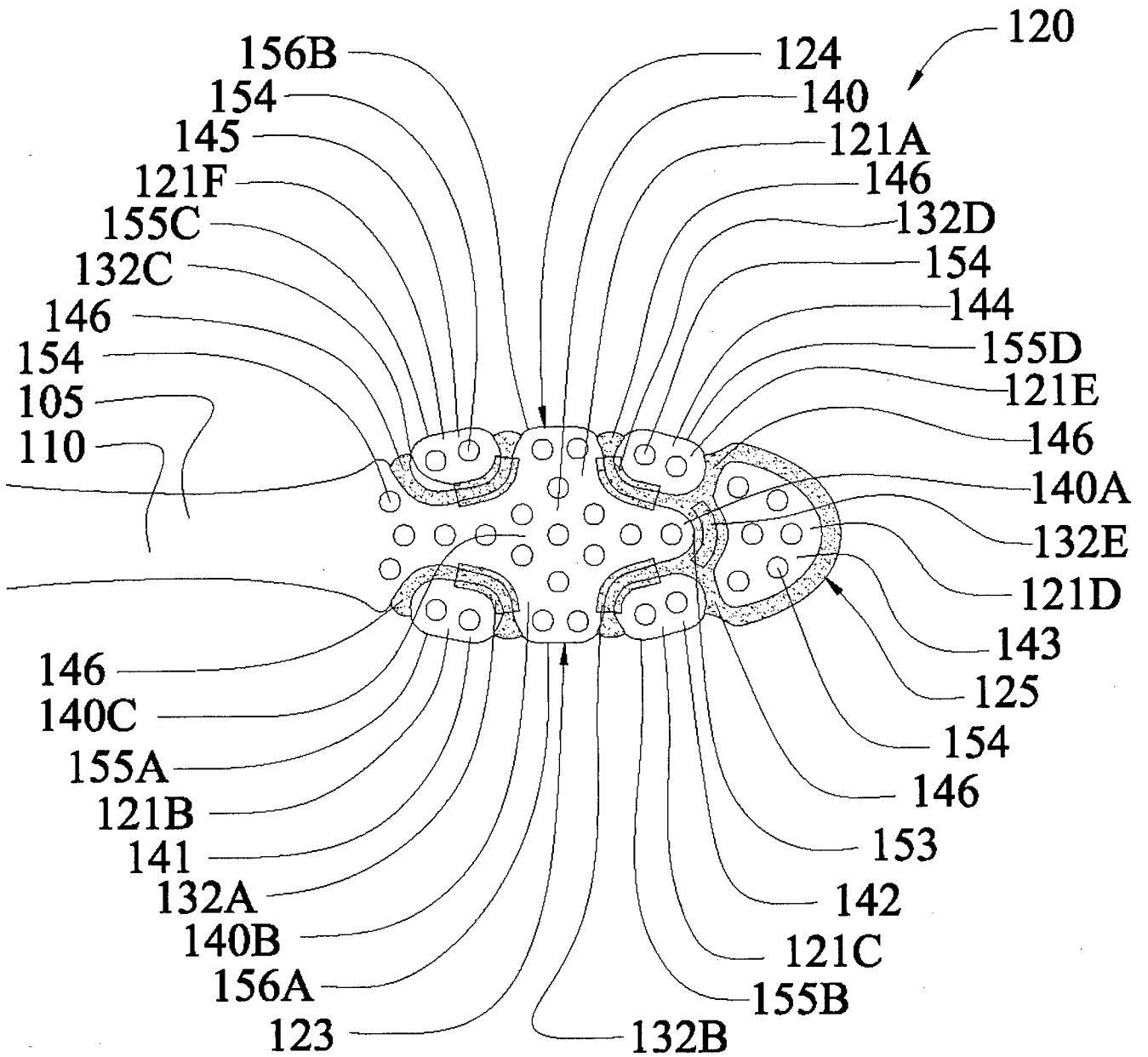


FIGURE 5

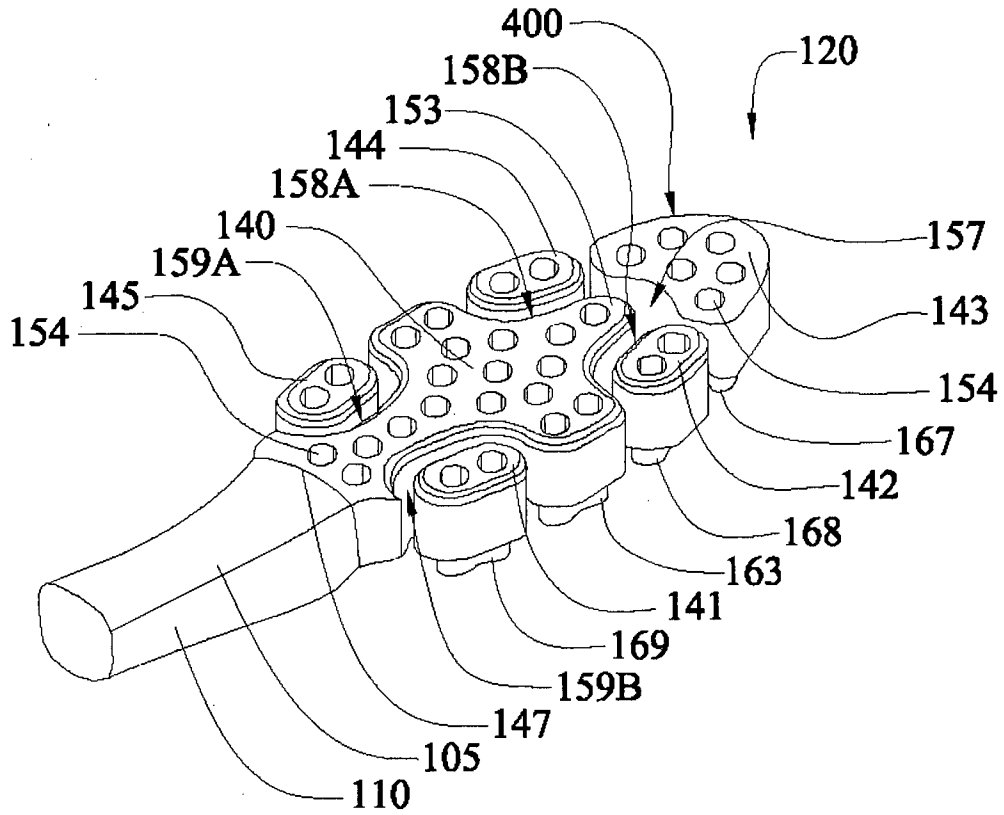


FIGURE 6

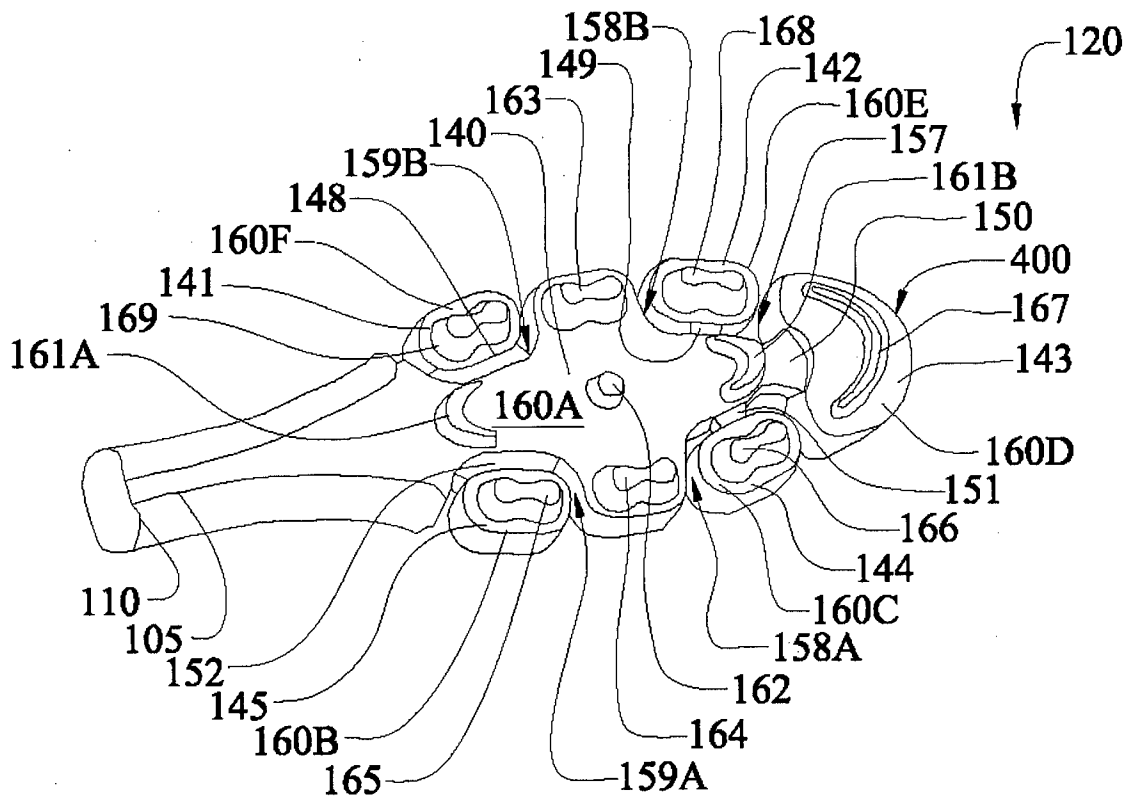


FIGURE 7

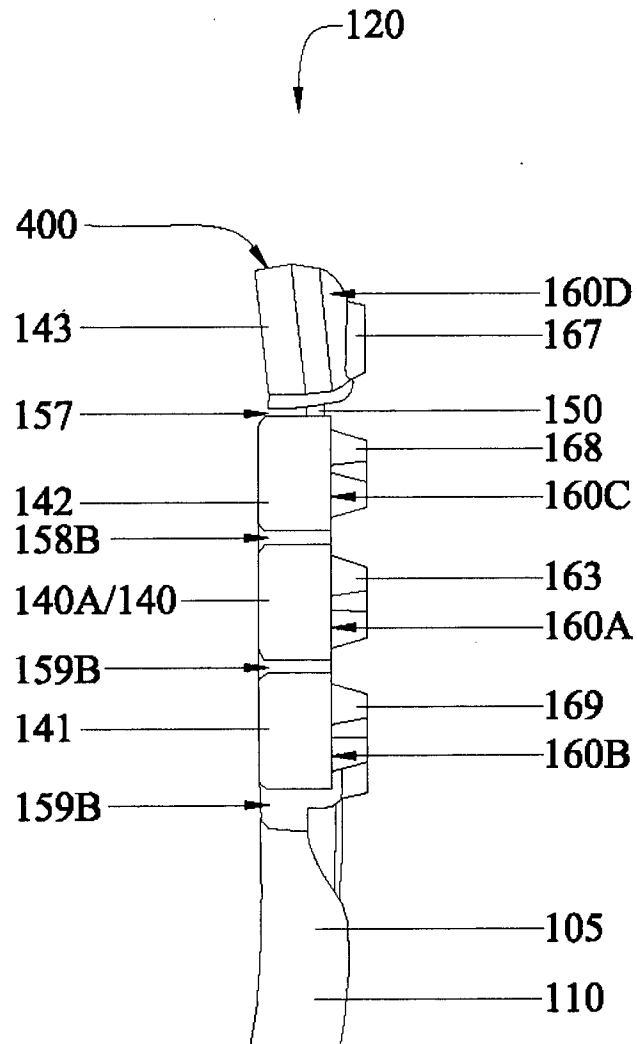


FIGURE 8

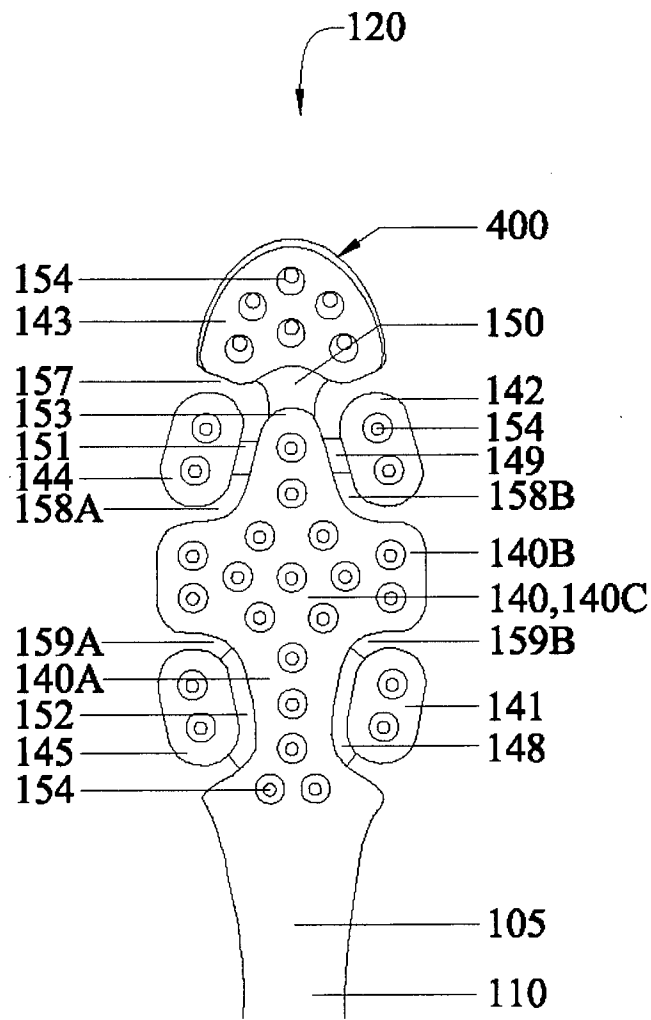


FIGURE 9

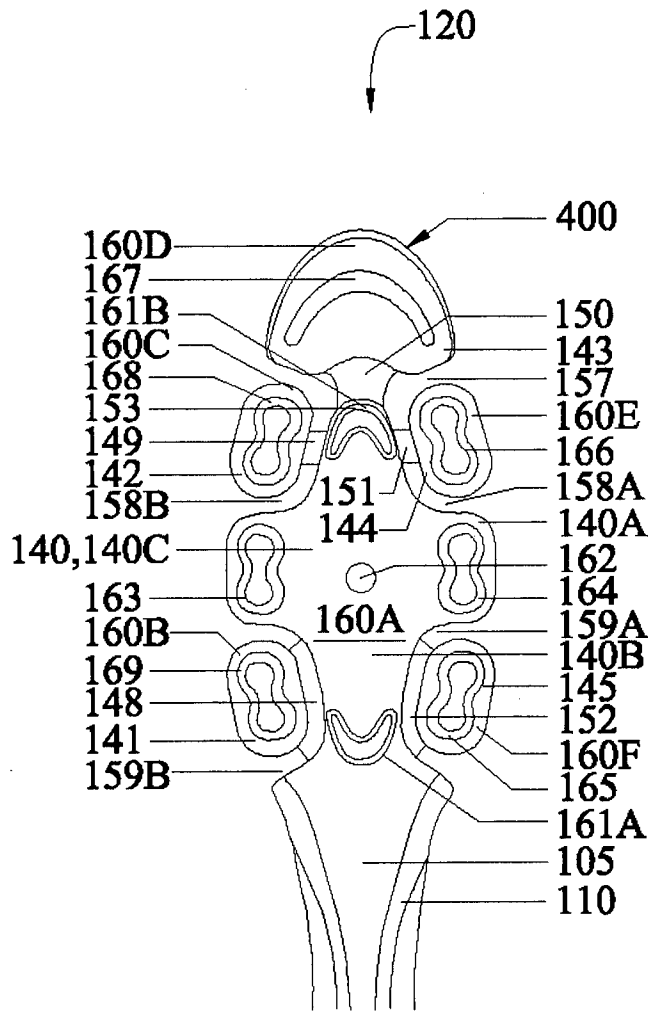


FIGURE 10

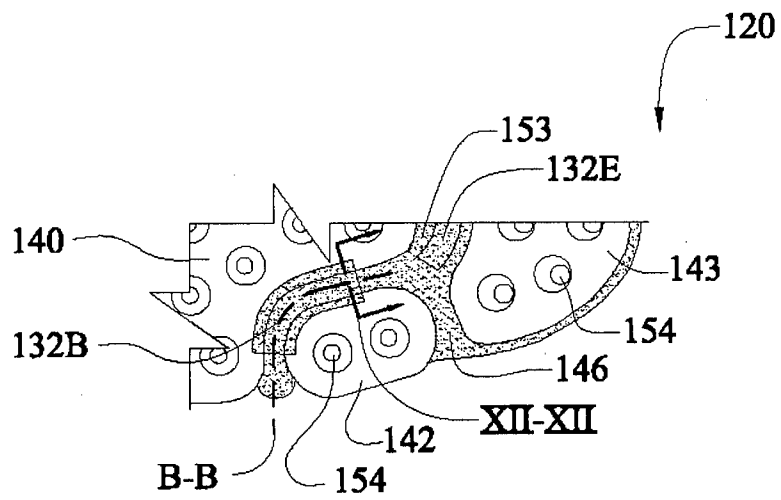


FIGURE 11

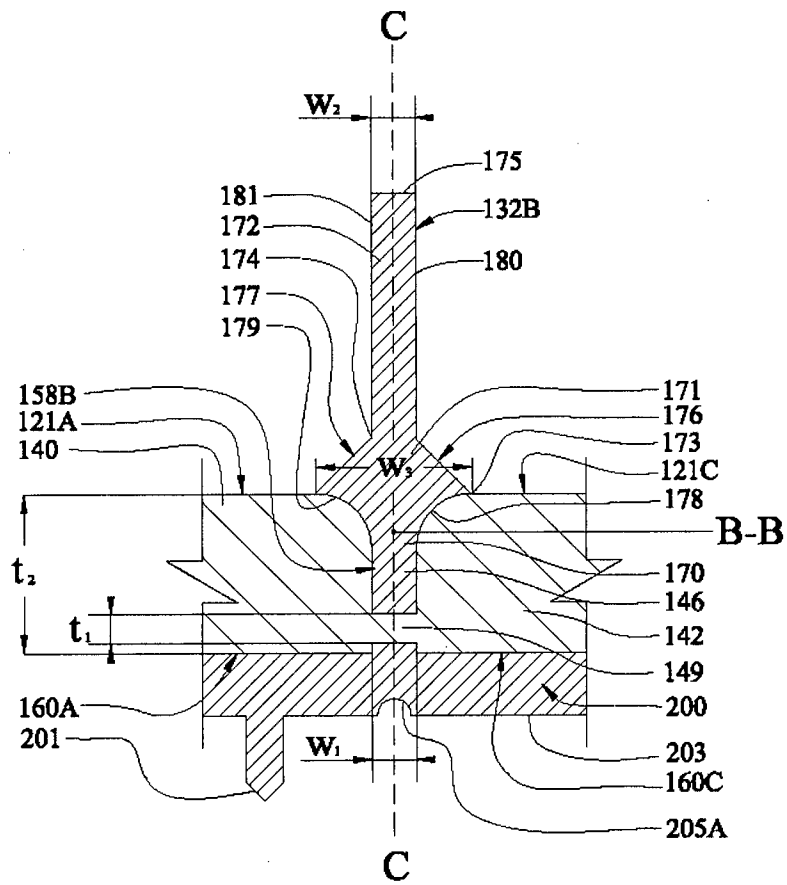


FIGURE 12

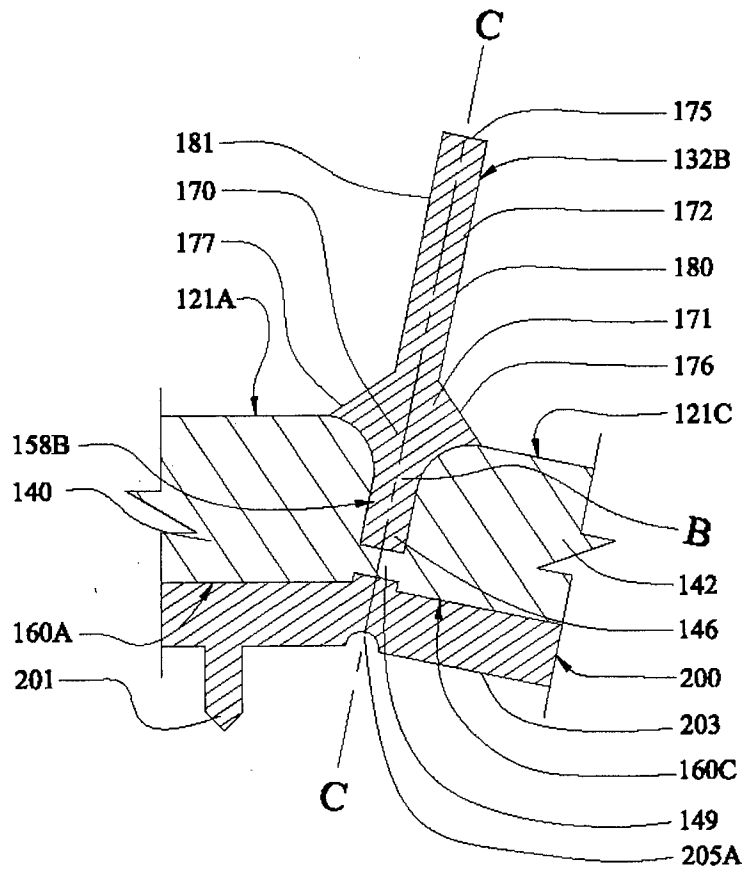


FIGURE 13

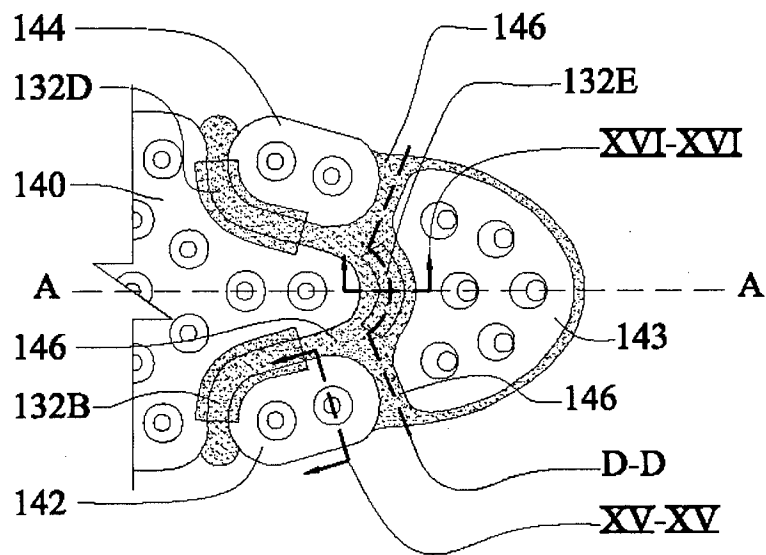


FIGURE 14

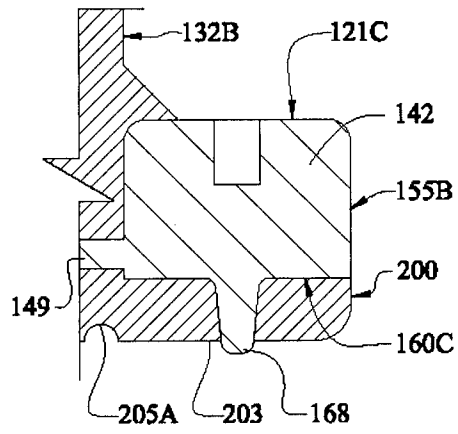


FIGURE 15

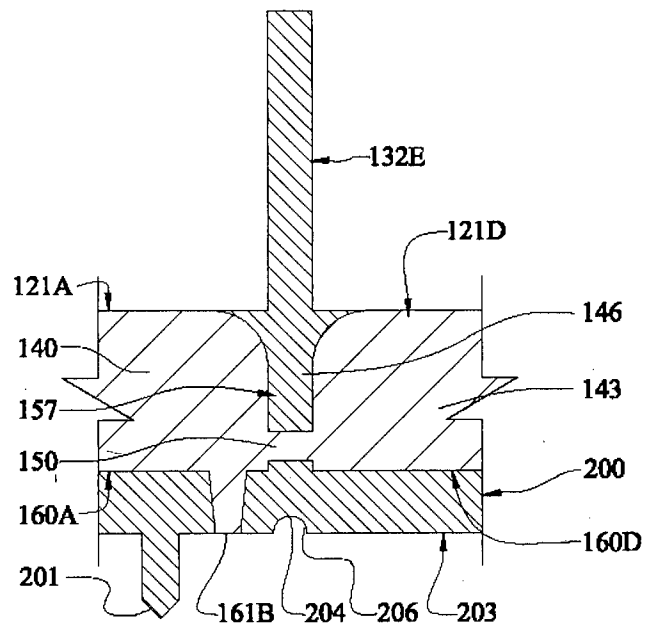


FIGURE 16

INTERNATIONAL SEARCH REPORT

International application No.

PCT/CN2010/002109

A. CLASSIFICATION OF SUBJECT MATTER**See extra sheet**

According to International Patent Classification (IPC) or to both national classification and IPC

B. FIELDS SEARCHED

Minimum documentation searched (classification system followed by classification symbols)

IPC: A46B, A61C17

Documentation searched other than minimum documentation to the extent that such documents are included in the fields searched

Electronic data base consulted during the international search (name of data base and, where practicable, search terms used)

WPI, EPODOC, CNPAT, CNKI

head, tooth, teeth, oral, segment?, portion?, section?, flexib+, elast+

C. DOCUMENTS CONSIDERED TO BE RELEVANT

Category*	Citation of document, with indication, where appropriate, of the relevant passages	Relevant to claim No.
X	WO2006005624A2 (GLAXOSMITHKLINE CONSUMER HEALTHCARE GMBH) 19 Jan. 2006(19.01.2006), specification page 3 line 21 to page 5 line 10, figures 1-4	1-9, 13, 16-18, 21-24, 27-28
A	US2003084533A1 (PROCTER & GAMBLE CO) 08 May 2003(08.05.2003), the whole document	1-31
A	US5946759A (PROCTER & GAMBLE CO) 07 Sept. 1999(07.09.1999), the whole document	1-31
A	CN101610696A (COLGATE PALMOLIVE CO) 23 Dec. 2009(23.12.2009), the whole document	1-31
A	CN1241121A (PROCTER & GAMBLE CO) 12 Jan. 2000(12.01.2000), the whole document	1-31

 Further documents are listed in the continuation of Box C. See patent family annex.

* Special categories of cited documents:	“T” later document published after the international filing date or priority date and not in conflict with the application but cited to understand the principle or theory underlying the invention
“A” document defining the general state of the art which is not considered to be of particular relevance	“X” document of particular relevance; the claimed invention cannot be considered novel or cannot be considered to involve an inventive step when the document is taken alone
“E” earlier application or patent but published on or after the international filing date	“Y” document of particular relevance; the claimed invention cannot be considered to involve an inventive step when the document is combined with one or more other such documents, such combination being obvious to a person skilled in the art
“L” document which may throw doubts on priority claim (S) or which is cited to establish the publication date of another citation or other special reason (as specified)	“&” document member of the same patent family
“O” document referring to an oral disclosure, use, exhibition or other means	
“P” document published prior to the international filing date but later than the priority date claimed	

Date of the actual completion of the international search 15 Sept. 2011(15.09.2011)	Date of mailing of the international search report 13 Oct. 2011 (13.10.2011)
--	--

Name and mailing address of the ISA/CN
The State Intellectual Property Office, the P.R.China
6 Xitucheng Rd., Jimen Bridge, Haidian District, Beijing, China
100088
Facsimile No. 86-10-62019451

Authorized officer

ZHENGQiwei

Telephone No. (86-10)62085633

INTERNATIONAL SEARCH REPORT
Information on patent family members

International application No.
PCT/CN2010/002109

Patent Documents referred in the Report	Publication Date	Patent Family	Publication Date
WO2006005624A2	19.01.2006	EP1778045A	02.05.2007
		JP2008506435T	06.03.2008
		US2008115305A	22.05.2008
US2003084533A1	08.05.2003	US7757333B	20.07.2010
		WO9602165A	01.02.1996
		CA2194054AC	01.02.1996
		AU2969895A	16.02.1996
		ZA9505833A	21.02.1996
		TR960054A	21.06.1996
		EP0769920AB	02.05.1997
		PL318155A	12.05.1997
		PL178909B	30.06.2000
		CN1150748A	28.05.1997
		CN1108125C	14.05.2003
		MX9700341A	31.05.1997
		HU77207A	02.03.1998
		HU218758B	28.11.2000
		JP10502846T	17.03.1998
		BR9508399A	26.05.1998
		AU706139B	10.06.1999
		KR100253963B	01.05.2000
		RU2158101C	27.10.2000
		US6219874B	24.04.2001
US2001013151A	16.08.2001		
US6505373B	14.01.2003		
EP1300096A	09.04.2003		
US6807703B	26.10.2004		
AT249765T	15.10.2003		
ES2202367T	01.04.2004		
DE69531786T	15.07.2004		

INTERNATIONAL SEARCH REPORT
Information on patent family members

International application No.
PCT/CN2010/002109

Patent Documents referred in the Report	Publication Date	Patent Family	Publication Date
US5946759A	07.09.1999	WO9725900A	24.07.1997
		ID16189A	11.09.1997
		CO4650170A	03.09.1998
		HU9901880A	28.09.1999
		HU221448B	28.10.2002
		EP0955834AB	17.11.1999
		JP2000503570T	28.03.2000
		AT343946T	15.11.2006
		DE69736902T	06.09.2007
		CN101610696A	23.12.2009
CA2672740A	19.06.2008		
AU2007333137A	19.06.2008		
WO2008073950A	19.06.2008		
KR20090089911A	24.08.2009		
MX2009006394A	26.08.2009		
EP2120637A	25.11.2009		
CN1241121A	12.01.2000	WO9827846A	02.07.1998
		CA2274128AC	02.07.1998
		AU5795298A	17.07.1998
		TR9901449T	23.08.1999
		CZ9902301A	15.12.1999
		CZ293400B	14.04.2004
		CN1127311C	12.11.2003
		PL334212A	14.02.2000
		PL186825B	31.03.2004
		SK83999A	16.05.2000
		HU0000166A	28.05.2000
		HU222300B	28.06.2003
		EP1011376AB	28.06.2000
		JP2001506903T	29.05.2001

INTERNATIONAL SEARCH REPORT
Information on patent family members

International application No.
PCT/CN2010/002109

Patent Documents referred in the Report	Publication Date	Patent Family	Publication Date
		RU2191532C	27.10.2002
		AT370680T	15.09.2007
		DE69738051T	15.05.2008

INTERNATIONAL SEARCH REPORT

International application No.

PCT/CN2010/002109

CLASSIFICATION OF SUBJECT MATTER

A46B 7/06 (2006.01) i
A46B 9/04 (2006.01) i
A61C 17/00 (2006.01) i