



US00D410494S

United States Patent [19]
Hoffmann

[11] **Patent Number: Des. 410,494**
[45] **Date of Patent: ** Jun. 1, 1999**

[54] **CORRECTION-TAPE DISPENSER**

[75] Inventor: **Gregory K. Hoffmann**, New Milford, Conn.

[73] Assignee: **BIC Corporation**, Milford, Conn.

[**] Term: **14 Years**

[21] Appl. No.: **29/077,081**

[22] Filed: **Sep. 26, 1997**

[51] **LOC (6) Cl.** **19-02**

[52] **U.S. Cl.** **D19/69; D19/67**

[58] **Field of Search** **D19/65, 67, 68, D19/69, 99, 100; D10/72; 225/6, 7, 19, 25, 34, 35, 44, 45, 56, 65, 77, 89; 156/510, 327, 527, 577; 242/588, 588.3, 588.6**

[56] **References Cited**

U.S. PATENT DOCUMENTS

D. 348,691	7/1994	Bell et al.	D19/69
D. 355,934	2/1995	Oga et al.	D19/69
D. 365,852	1/1996	Parsey et al.	D19/67 X
D. 368,115	3/1996	Kouda	D19/69
D. 369,385	4/1996	Lapointe	D19/69
2,918,189	12/1959	Frohbach et al.	216/20
3,725,182	4/1973	Reagan	156/527
4,330,357	5/1982	Collins	156/584
5,125,589	6/1992	Manusch	242/67
5,135,798	8/1992	Muscheter et al.	428/202
5,379,477	1/1995	Tamai et al.	15/104
5,430,904	7/1995	Ono et al.	156/577 X
5,490,898	2/1996	Koyama	156/540
5,512,128	4/1996	Manusch et al.	156/577
5,556,469	9/1996	Koyama	118/257
5,595,626	1/1997	Yokouchi et al.	156/523 X
5,759,270	6/1998	Lee	156/577 X
5,795,085	8/1998	Yoo	156/577 X

FOREIGN PATENT DOCUMENTS

D0607/96	7/1995	Denmark .
0 656 308 A1	6/1995	European Pat. Off. .

2 643 351	8/1990	France	35/7
41 01 293 A1	10/1991	Germany .	
42 17 295 A1	12/1993	Germany .	
42 20 712 C2	3/1995	Germany .	
295 02 642			
U1	7/1996	Germany .	
197 02 345	1/1997	Germany .	
195 33 567			
A1	3/1997	Germany .	
196 35 586			
A1	3/1998	Germany .	
196 35 587			
A1	12/1998	Germany .	
2 043 591	10/1990	United Kingdom	37/4

OTHER PUBLICATIONS

Correction Tape "Classic" Refillable Applicator DC510. Publication date unknown.
 Korex-It™ Correction Tape by MonAm® Publication date unknown.
 Mono® Correction Tape by TOMBO® Publication date unknown.
 Izy White Correction Tape Publication date unknown.
 Liquid Paper™ DryLine™ Correction Film Publication date unknown.

Primary Examiner—Martie K. Holtje
Attorney, Agent, or Firm—Pennie & Edmonds LLP

[57] **CLAIM**

The ornamental design for a correction-tape dispenser, as shown and described.

DESCRIPTION

FIG. 1 is a front-top perspective view of a correction-tape dispenser showing my new design;
 FIG. 2 is a front view of the embodiment of FIG. 1;
 FIG. 3 is a rear view of the embodiment of FIG. 1;
 FIG. 4 is a side view of the embodiment of FIG. 1;
 FIG. 5 is a side view of the embodiment of FIG. 1;
 FIG. 6 is a top view of the embodiment of FIG. 1; and,
 FIG. 7 is a bottom view of the embodiment of FIG. 1.

1 Claim, 3 Drawing Sheets

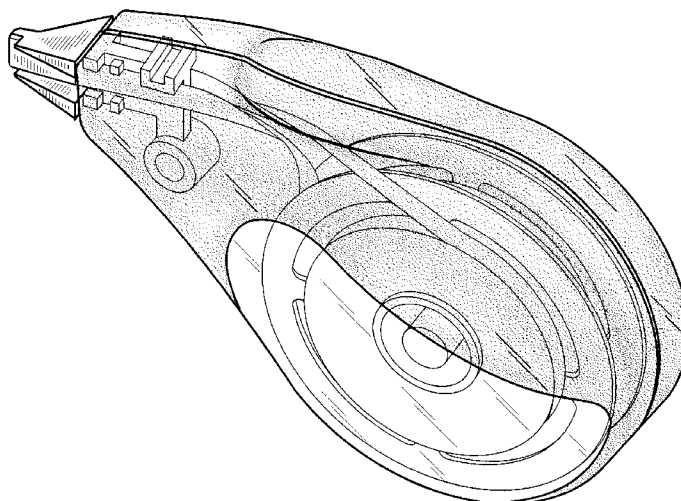


FIG. 1

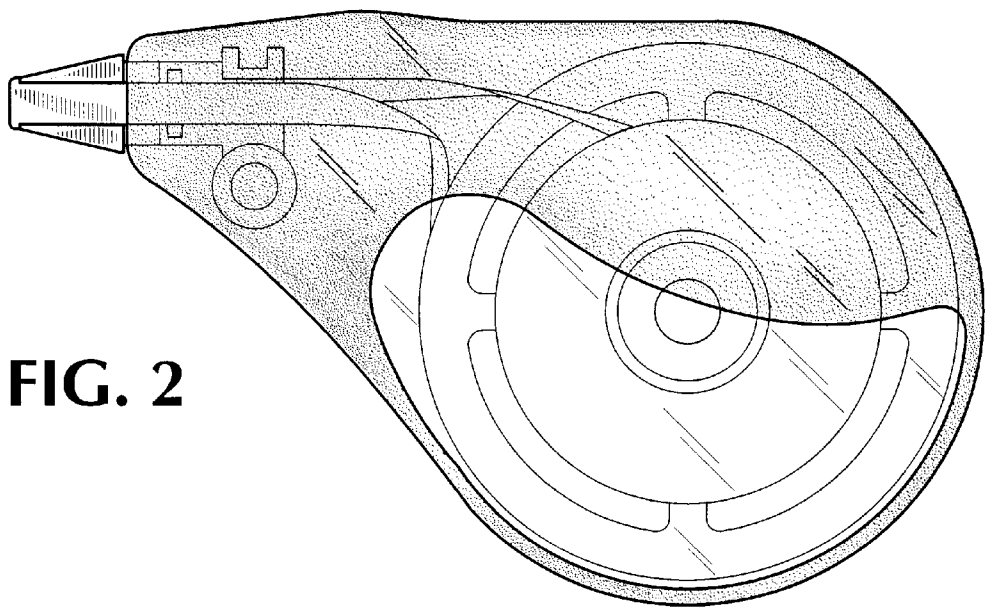
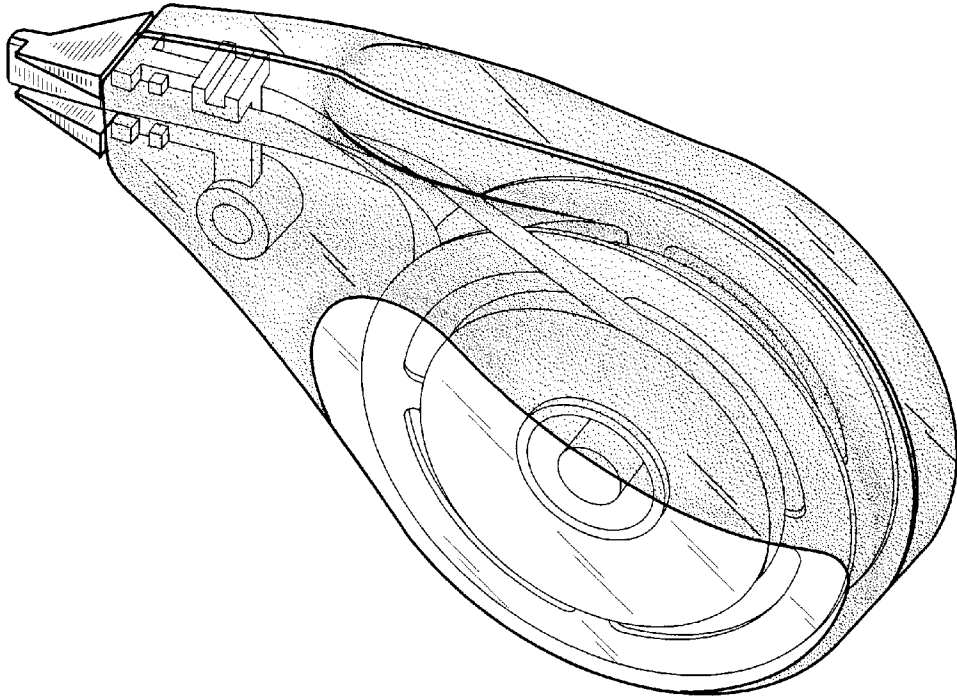


FIG. 2

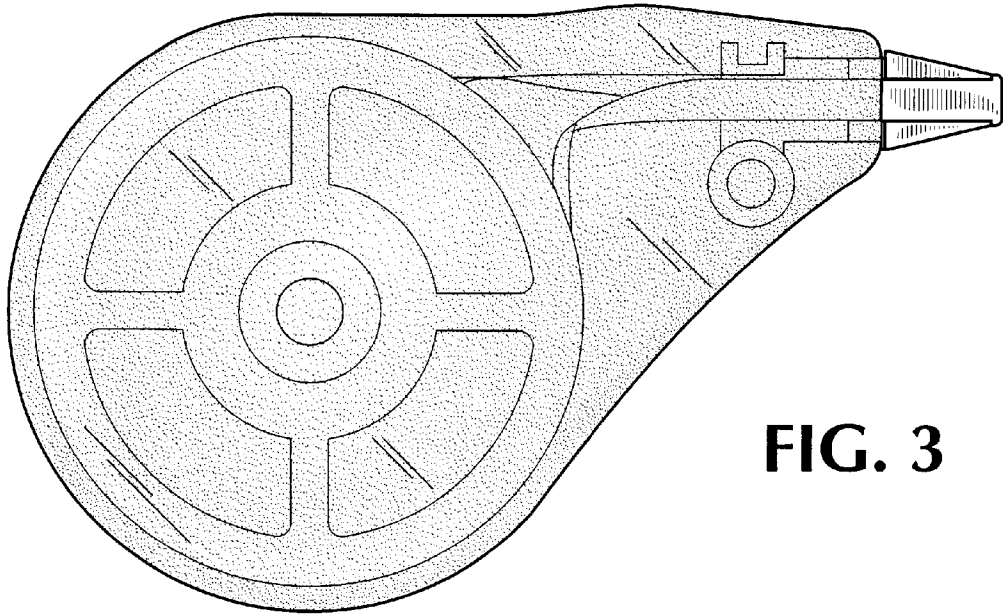


FIG. 3

FIG. 4

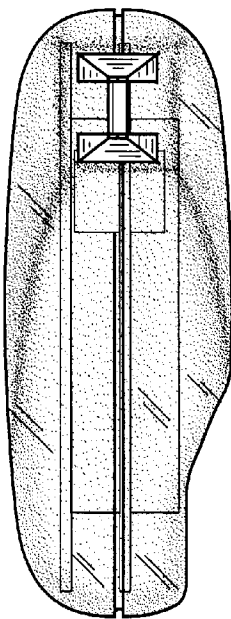


FIG. 5

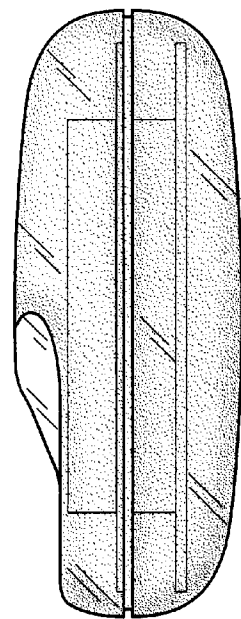


FIG. 6

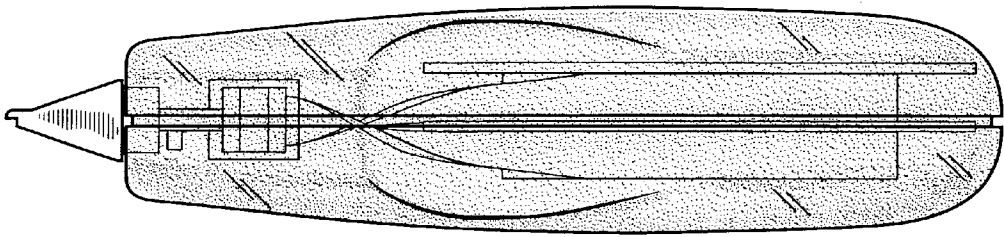


FIG. 7

