



US0D1001332S

(12) **United States Design Patent**
Hubert et al.

(10) **Patent No.:** **US D1,001,332 S**

(45) **Date of Patent:** **** Oct. 10, 2023**

(54) **POCKET SWIVEL LIGHT**
(71) Applicant: **COAST CUTLERY CO.**, Portland, OR (US)

D898,260 S * 10/2020 Worman D22/108
D898,261 S * 10/2020 Worman F21V 9/30
D22/108
D907,268 S * 1/2021 Worman D26/60

(Continued)

(72) Inventors: **Stephen E. Hubert**, Portland, OR (US);
David D. Lewin, Portland, OR (US);
Hai Rong Shi, Yangjiang (CN); **Chao Jun Ding**, Yangjiang (CN)

OTHER PUBLICATIONS

Rugged Ridge 11309.02 Clip-on Light, Jun. 1, 2006, Amazon.com, site visited Oct. 13, 2021, referenced Apr. 3, 2023, url: <https://www.amazon.com/dp/B0013RKEZU> (Year: 2006).*

(Continued)

(73) Assignee: **Coast Cutlery Co.**, Portland, OR (US)

Primary Examiner — T Chase Nelson

Assistant Examiner — Rachel Wolfe

(74) *Attorney, Agent, or Firm* — Schwabe Williamson & Wyatt, P.C.

(**) Term: **15 Years**

(21) Appl. No.: **29/744,726**

(22) Filed: **Jul. 30, 2020**

(51) **LOC (14) Cl.** **26-05**

(52) **U.S. Cl.** **D26/60; D26/63**

(58) **Field of Classification Search**

USPC D26/24, 37, 38, 39, 44, 51, 60, 61, 63, D26/113

CPC F21L 4/00; F21L 4/005; F21S 9/00; F21S 9/02; F21V 21/08; F21V 21/088; F21V 21/0885; F21V 21/14; F21V 21/145; F41G 1/34; F41G 1/345; F41G 1/35

See application file for complete search history.

(57) **CLAIM**

We claim the ornamental design for a pocket swivel light, as shown and described.

DESCRIPTION

FIG. 1 is a perspective view from the top front of the light; FIG. 2 is a perspective view from the top front, with the hook extended and the light angled;

FIG. 3 is a perspective view from the top rear of the light; FIG. 4 is a perspective view from the bottom side rear of the light;

FIG. 5 is a perspective view from the bottom side front of the light;

FIG. 6 is a front elevation view of the light;

FIG. 7 is a rear elevation view of the light;

FIG. 8 is a side elevation view of the light from one side;

FIG. 9 is a side elevation view of the light from the opposite side;

FIG. 10 is a top view of the light; and,

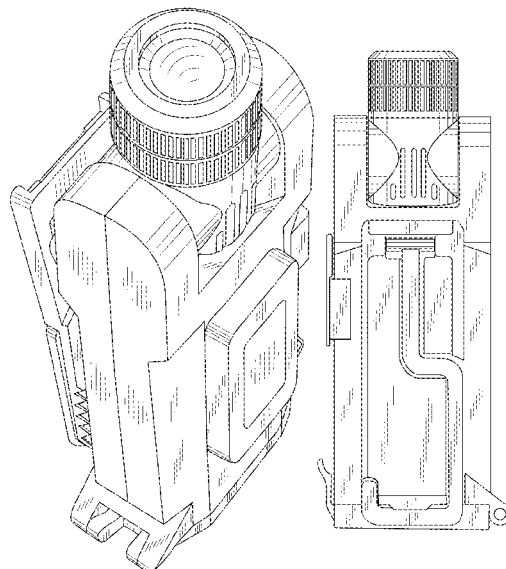
FIG. 11 is a bottom view of the light.

(56) **References Cited**

U.S. PATENT DOCUMENTS

D548,385 S * 8/2007 Sharrah F21V 19/004
D26/51
D576,327 S * 9/2008 Kingston D26/39
D609,376 S * 2/2010 Cristoforo D26/38
D612,967 S * 3/2010 Gan D26/46
D800,362 S * 10/2017 Galli D26/60
D824,063 S * 7/2018 Hutchens D26/60
10,317,048 B2 * 6/2019 Hutchens F21V 9/30
D857,268 S * 8/2019 Worman D26/60
D857,960 S * 8/2019 Worman D26/60

1 Claim, 8 Drawing Sheets



(56)

References Cited

U.S. PATENT DOCUMENTS

2019/0154243 A1* 5/2019 Worman F21V 19/004

OTHER PUBLICATIONS

Lexall LED Small Flashlight, May 29, 2020, Amazon.com, site visited Apr. 3, 2023, url: <https://www.amazon.com/dp/B089CK26RJ/> (Year: 2020).*

Streamlight 61102 ClipMate Flashlight, Oct. 2, 2021, Amazon.com, site visited Apr. 3, 2023, url: <https://www.amazon.com/dp/B0001549SI/> (Year: 2021).*

* cited by examiner

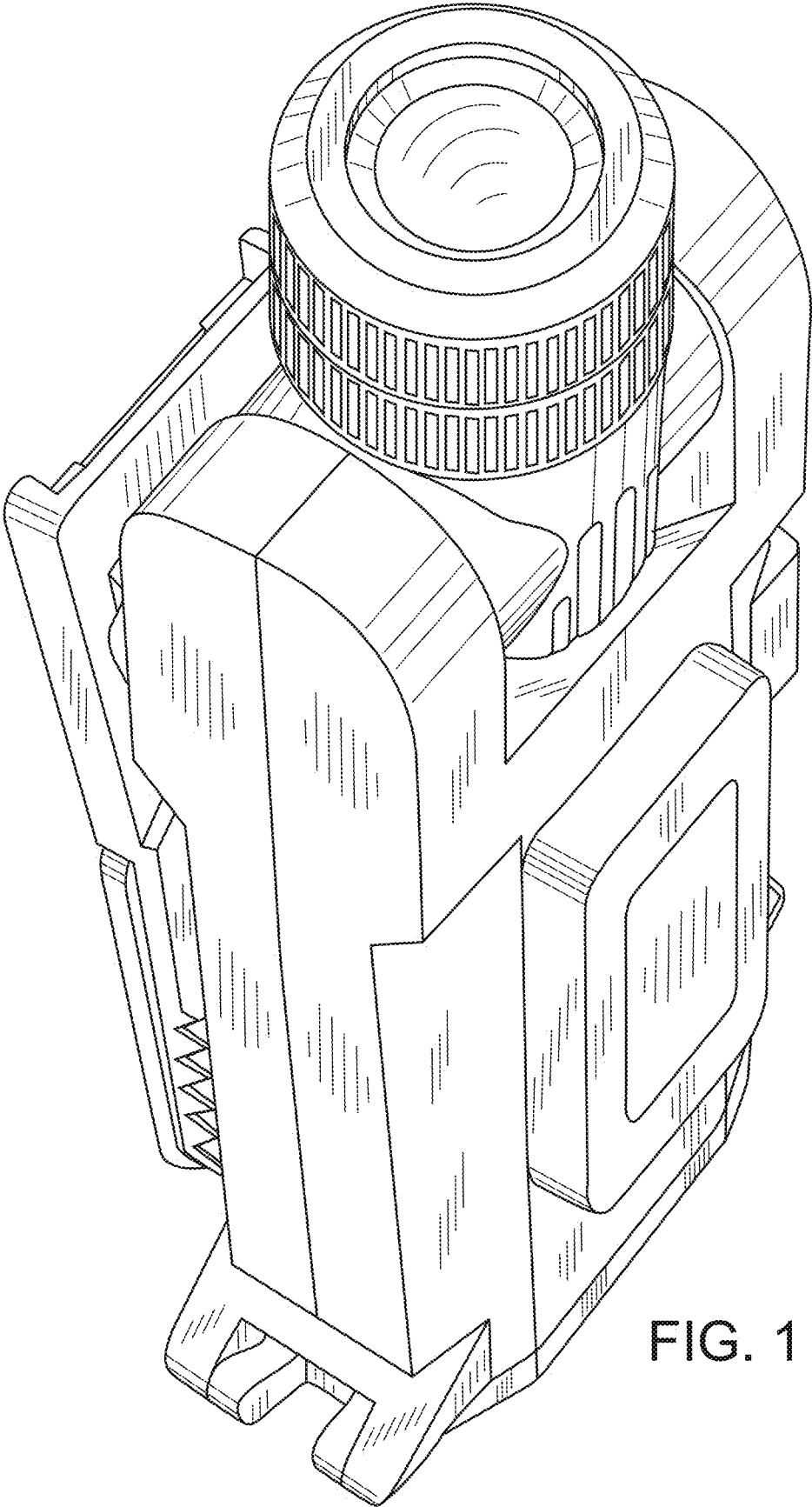


FIG. 1

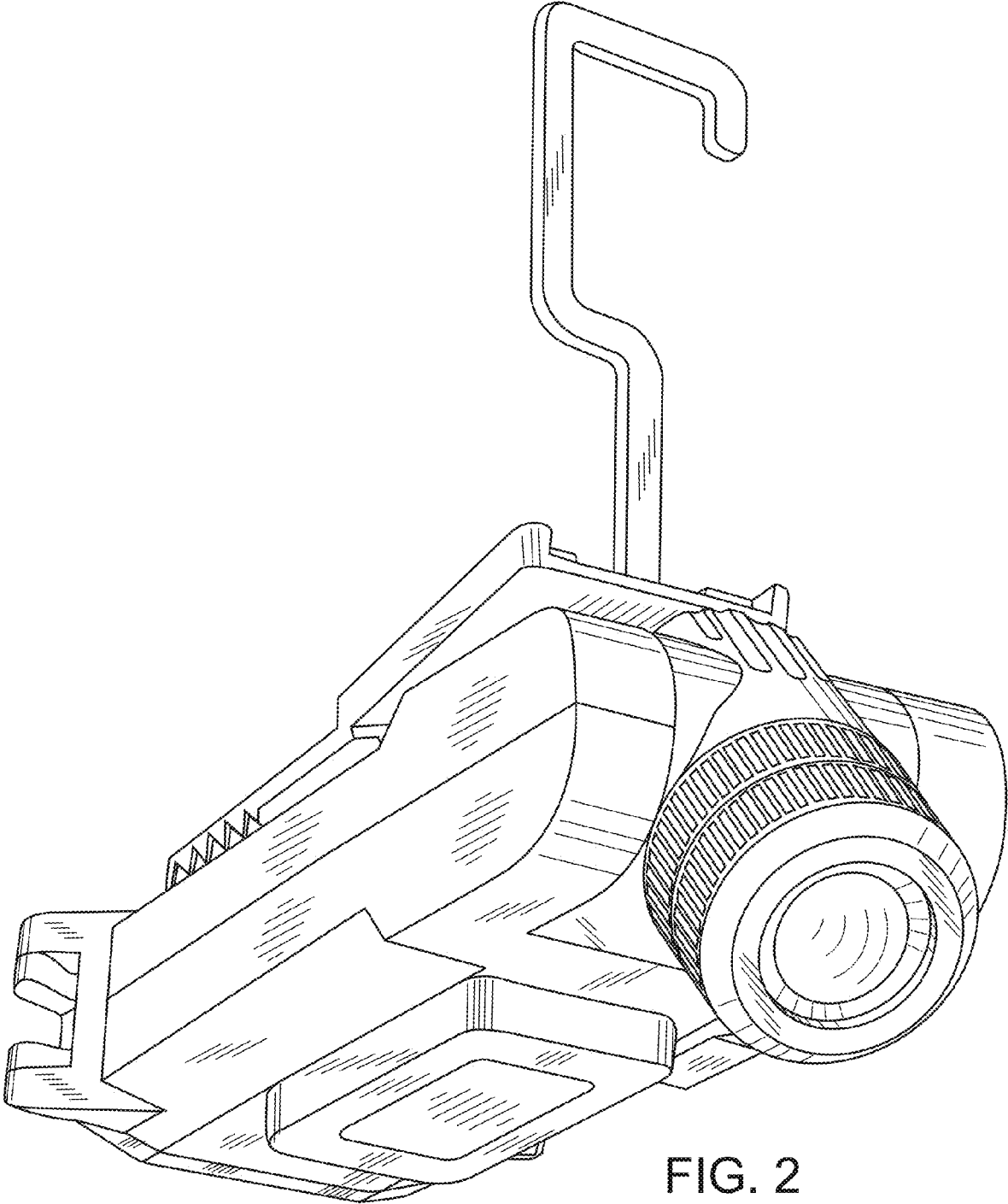


FIG. 2

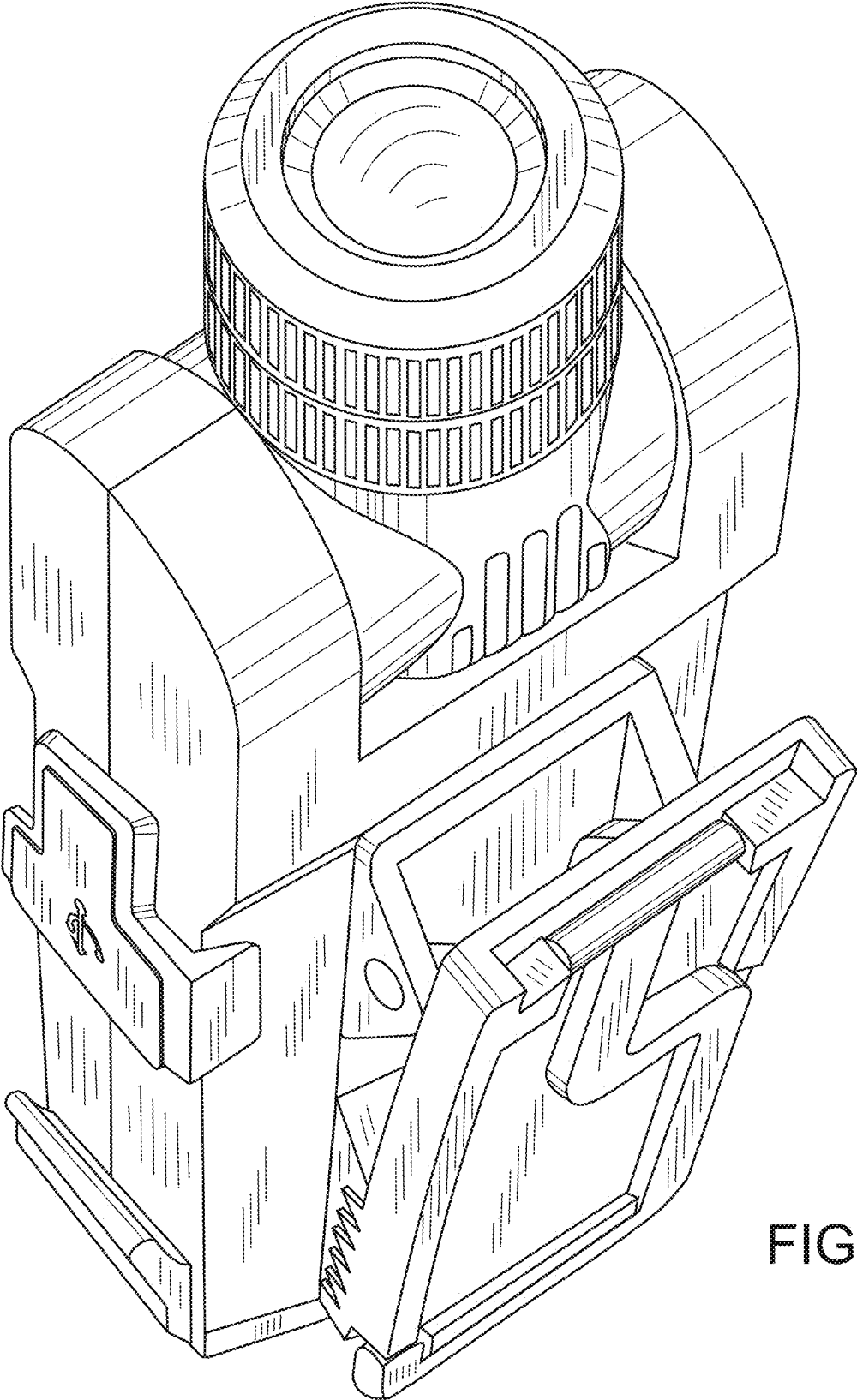


FIG. 3

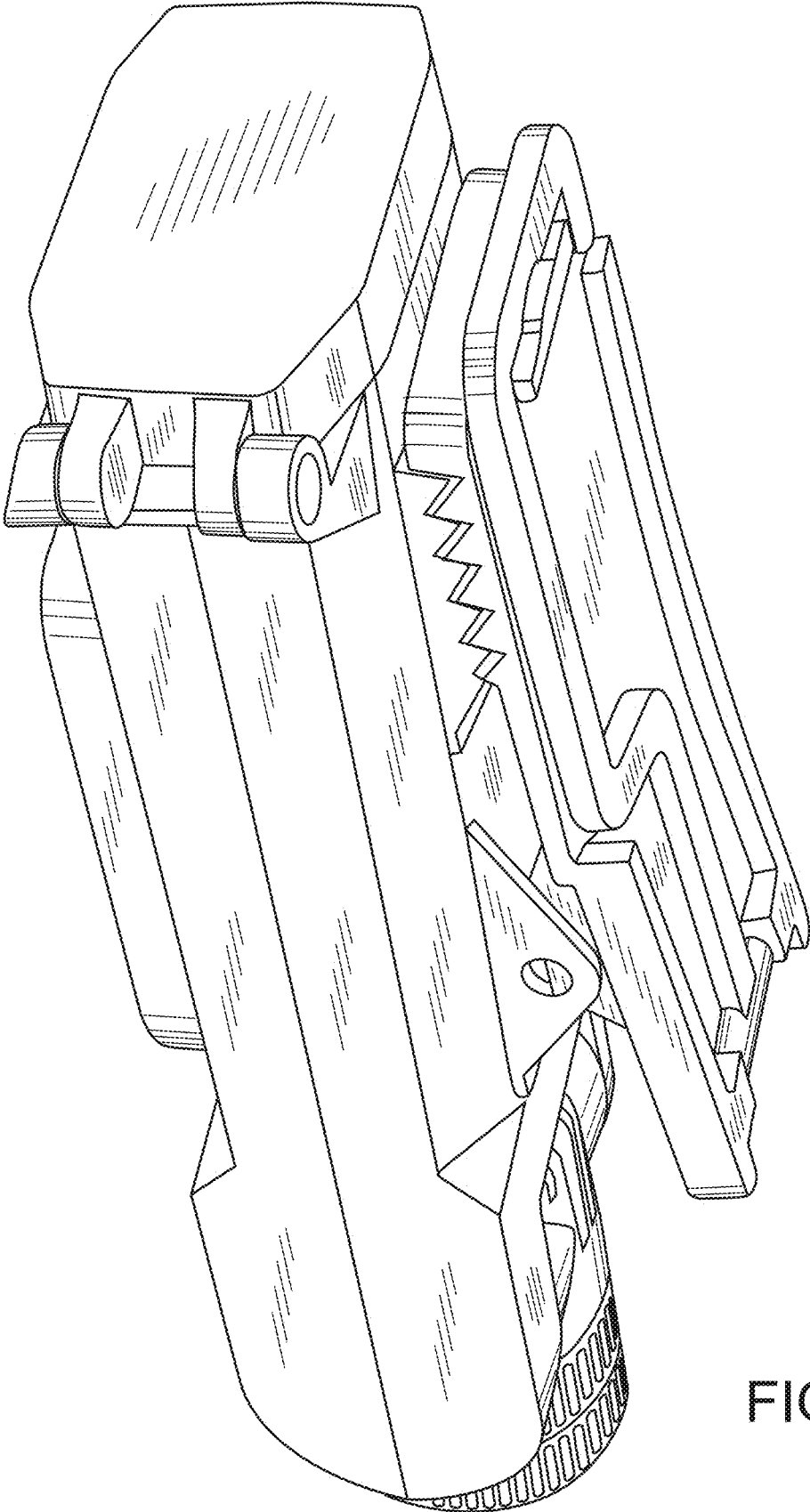


FIG. 4

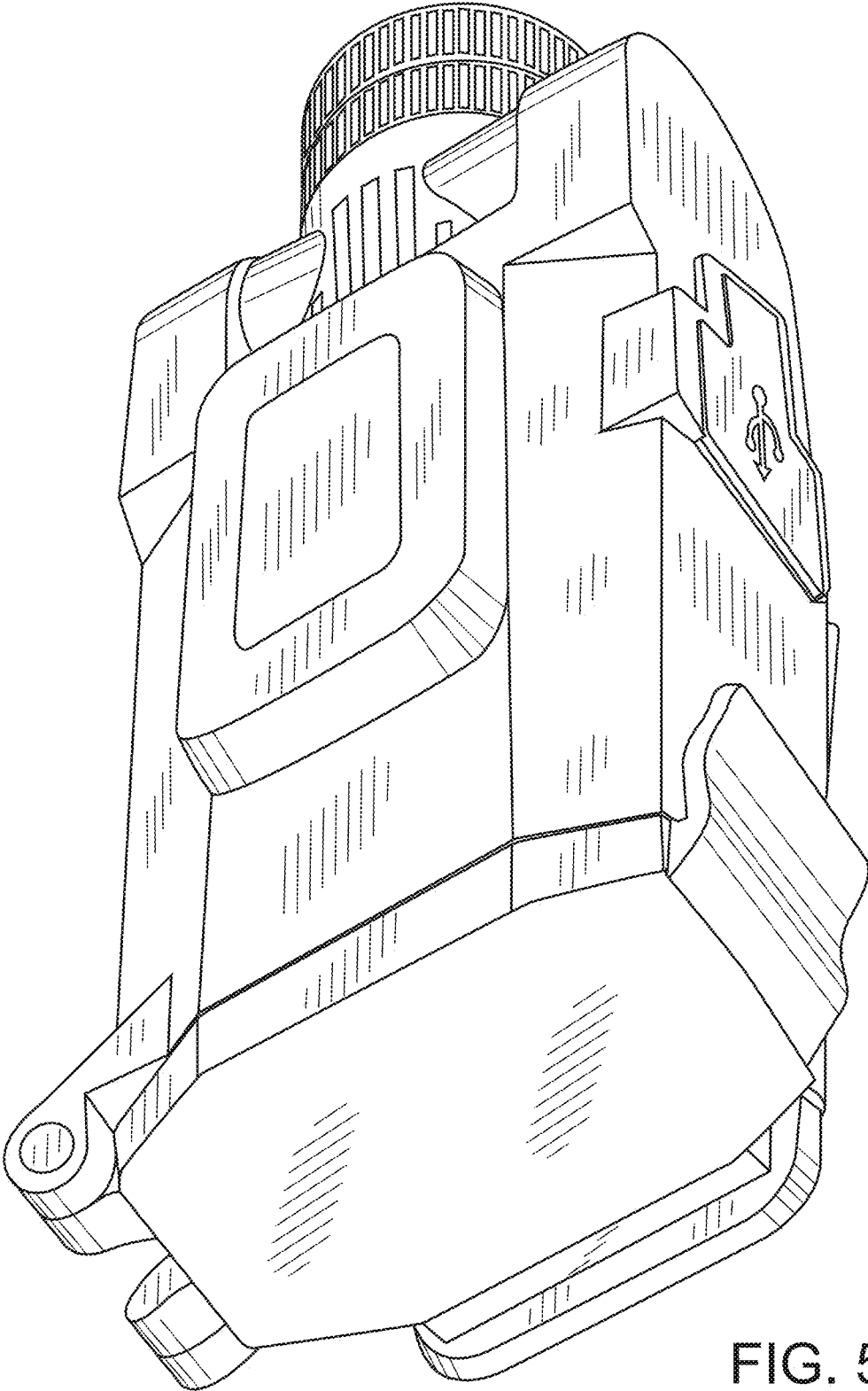


FIG. 5

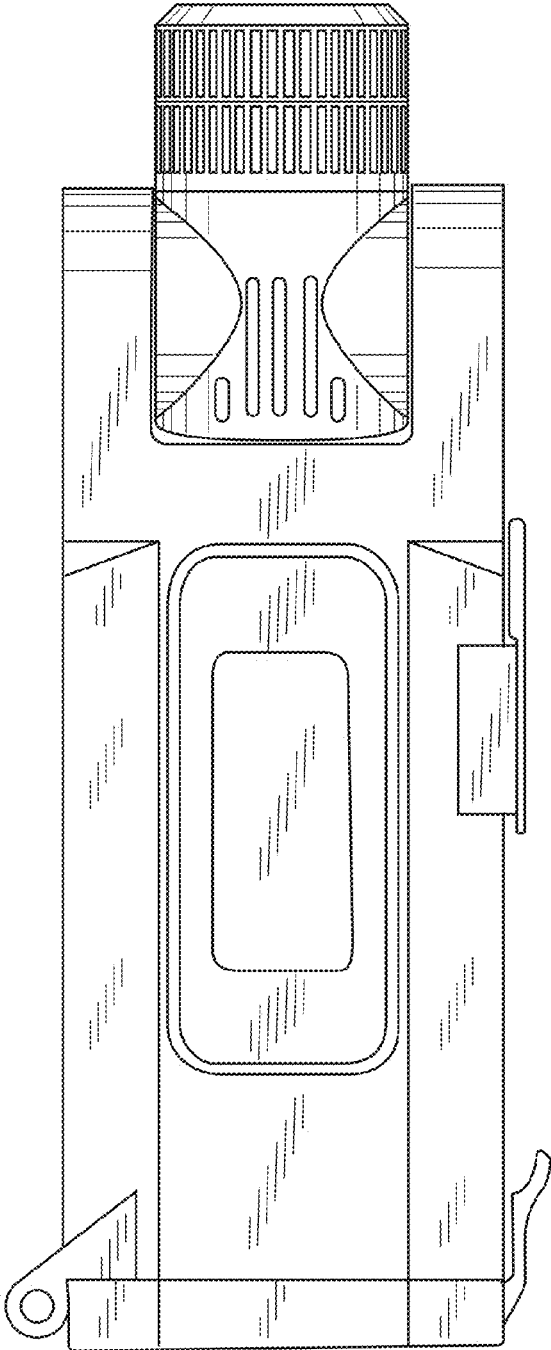


FIG. 6

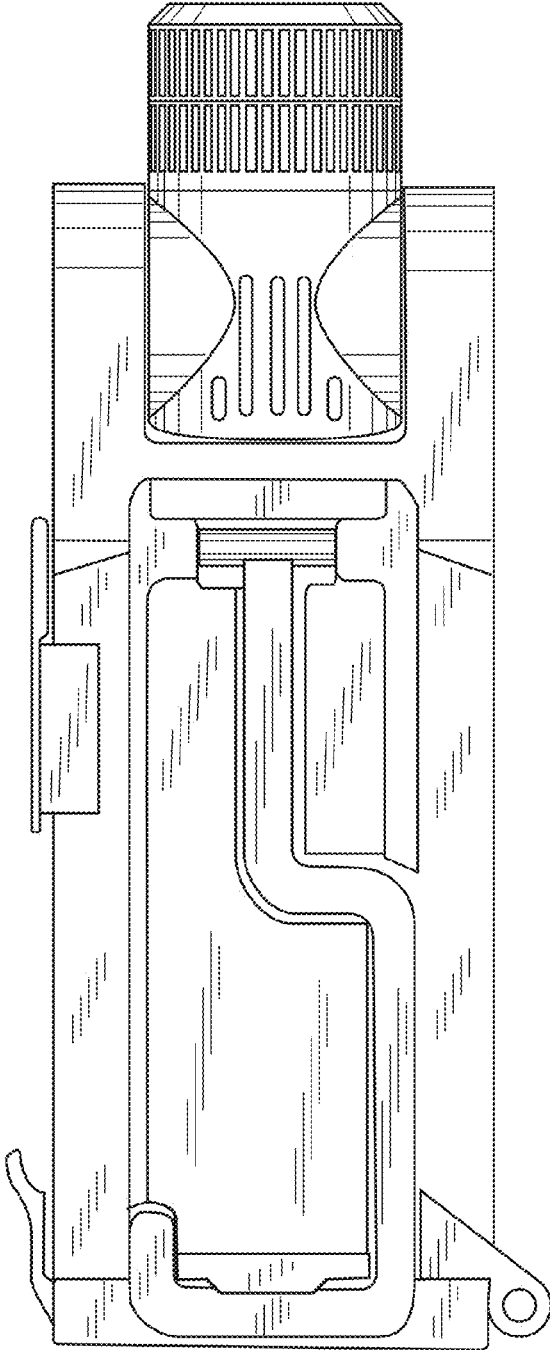


FIG. 7

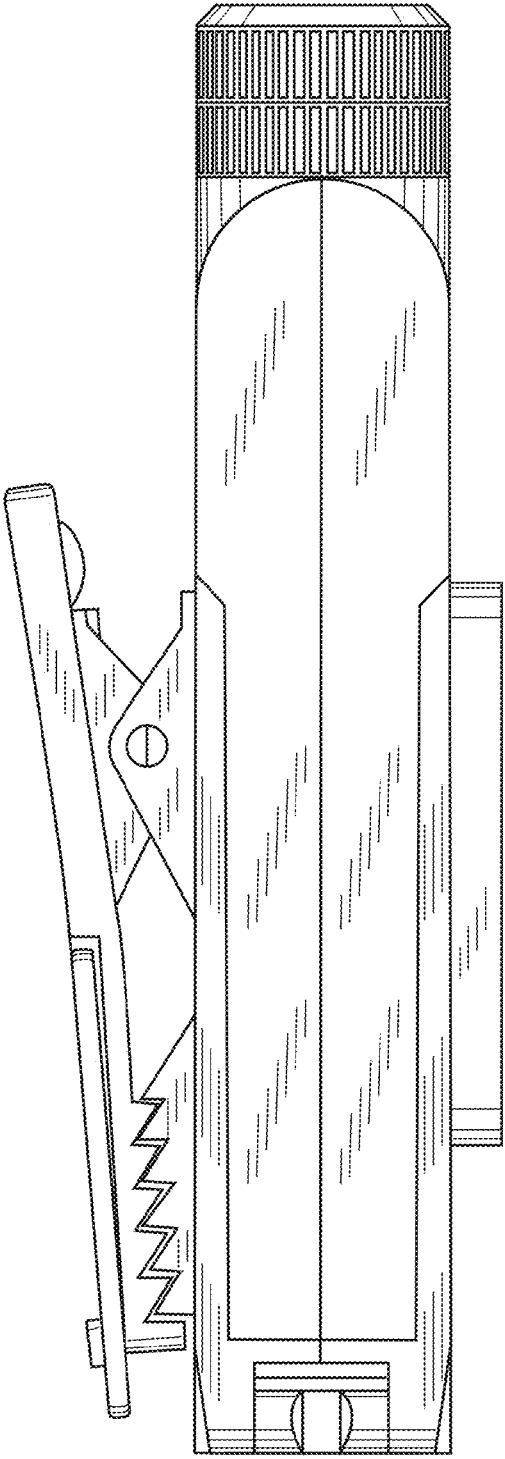


FIG. 8

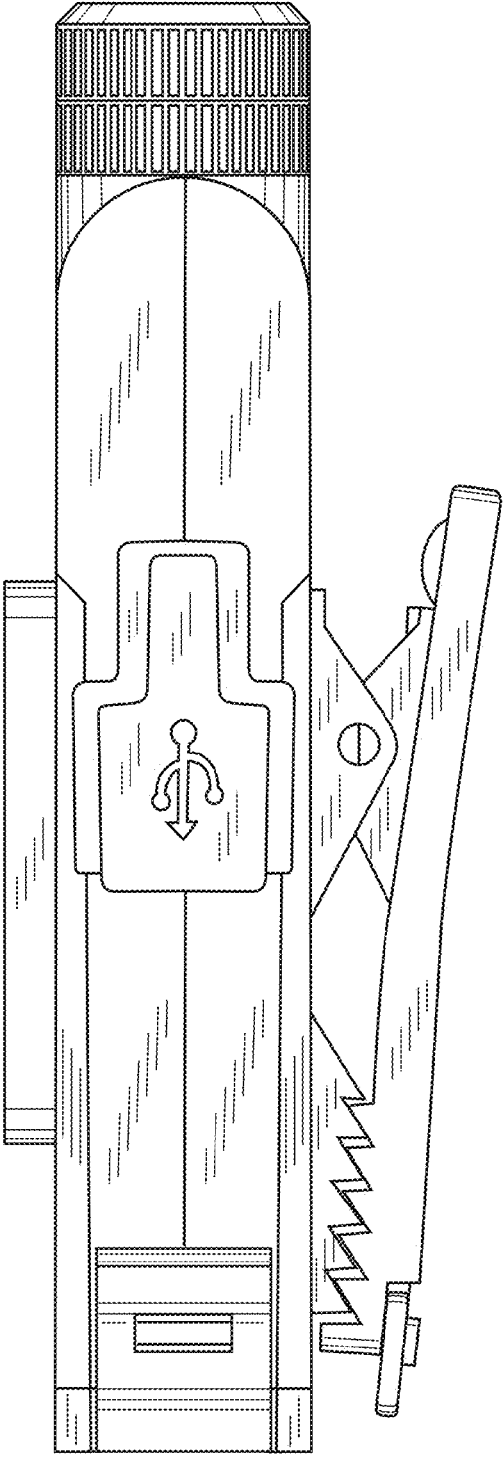


FIG. 9

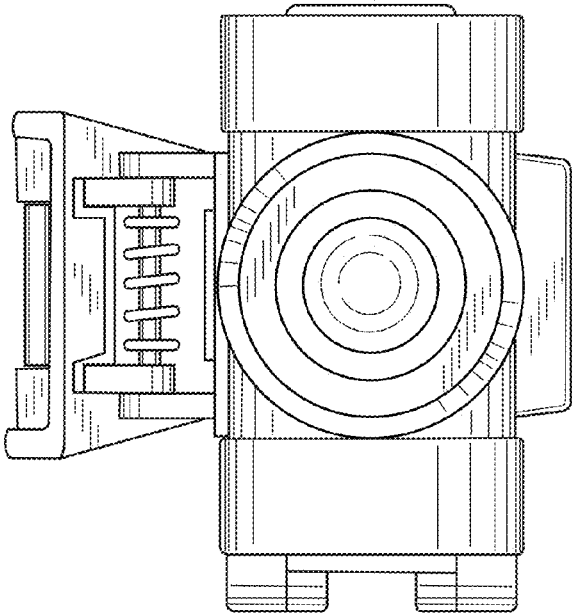


FIG. 10

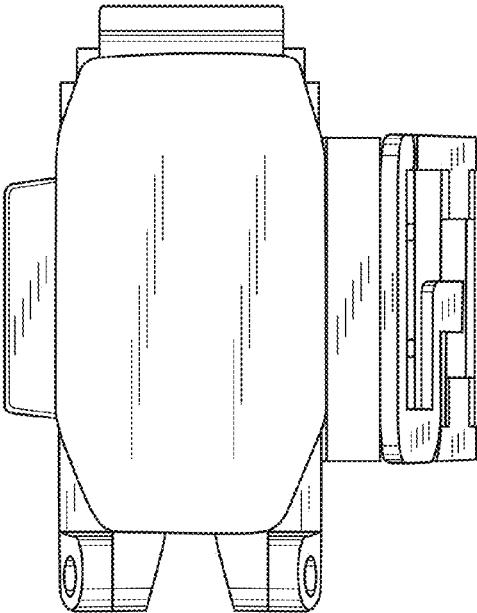


FIG. 11