



US00D794325S

(12) **United States Design Patent**  
**Tobias**

(10) **Patent No.:** **US D794,325 S**

(45) **Date of Patent:** **\*\* Aug. 15, 2017**

- (54) **TOTE BAG**
- (71) Applicant: **PUSSER'S (2001) LTD.**, Tortola (VG)
- (72) Inventor: **Charles Tobias**, Tortola (VG)
- (73) Assignee: **PUSSERS IP HOLDINGS LTD.**, Road Town, Tortola (VG)
- (\*\*) Term: **15 Years**
- (21) Appl. No.: **29/561,459**
- (22) Filed: **Apr. 15, 2016**
- (51) **LOC (10) Cl.** ..... **03-01**
- (52) **U.S. Cl.**  
USPC ..... **D3/232**
- (58) **Field of Classification Search**  
USPC ..... D3/232-233, 240-243, 245-246  
CPC ..... A45C 1/024; A45C 3/06  
See application file for complete search history.

- D378,709 S \* 4/1997 Jacobs ..... D3/233
- D587,451 S \* 3/2009 Guichot ..... D3/246
- D727,617 S \* 4/2015 Chehebar ..... D3/233
- D731,788 S \* 6/2015 Joo ..... D3/233

\* cited by examiner

*Primary Examiner* — Holly Baynham  
(74) *Attorney, Agent, or Firm* — Birch, Stewart, Kolasch & Birch, LLP

(57) **CLAIM**

The ornamental design for a tote bag, as shown and described.

**DESCRIPTION**

FIG. 1 is a front perspective view of a tote bag showing my new design;  
FIG. 2 is a front elevational view thereof;  
FIG. 3 is a rear elevational thereof;  
FIG. 4 is a left side elevational view thereof, the right side being a mirror image thereof;  
FIG. 5 is a top plan view thereof; and,  
FIG. 6 is a bottom plan view thereof.  
The broken lines representing stitching are part of the claimed design.

(56) **References Cited**

**U.S. PATENT DOCUMENTS**

- 2,691,401 A \* 10/1954 Kontoff ..... A45C 11/38  
190/111
- D330,281 S \* 10/1992 Siris ..... D3/285

**1 Claim, 5 Drawing Sheets**

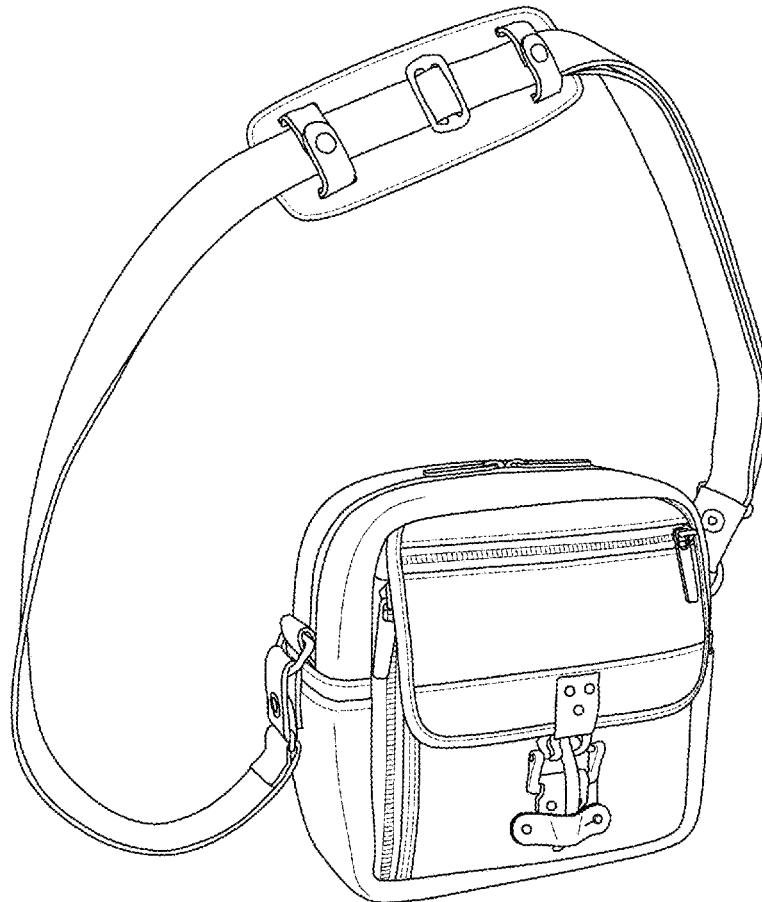




FIG. 1

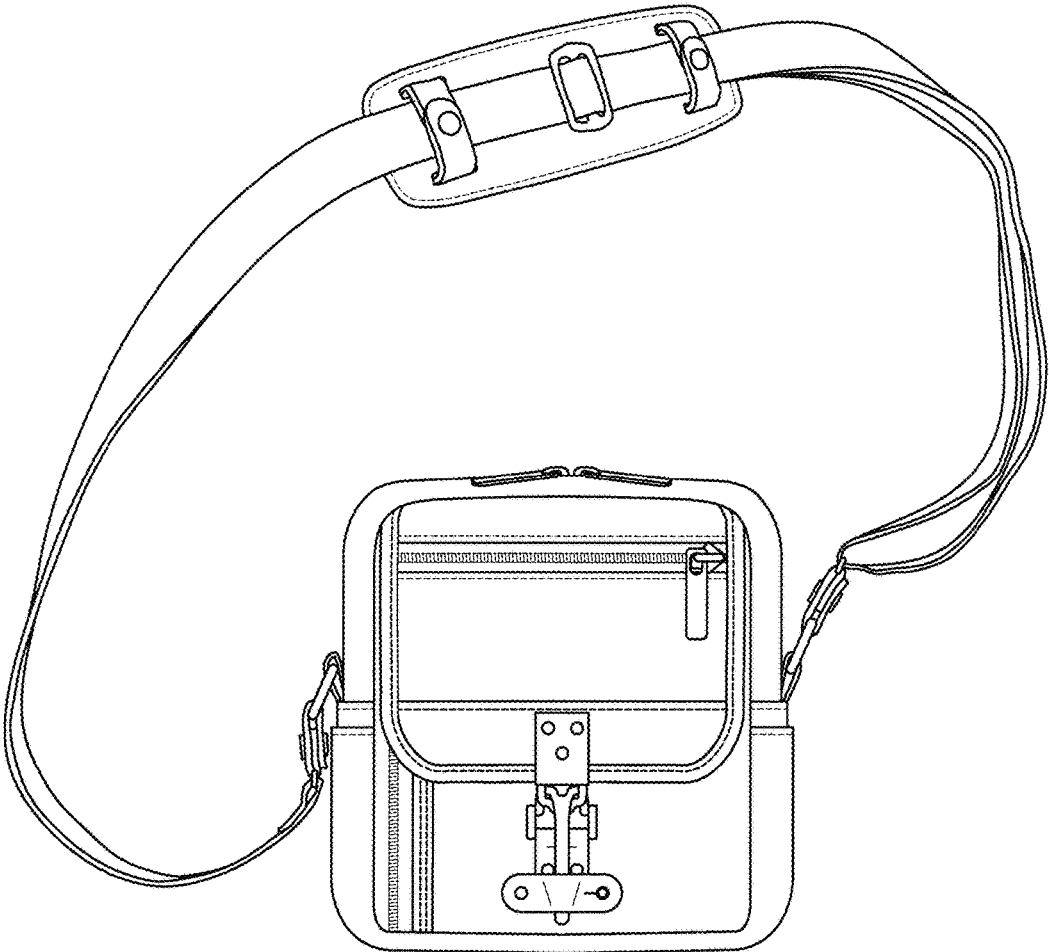


FIG. 2

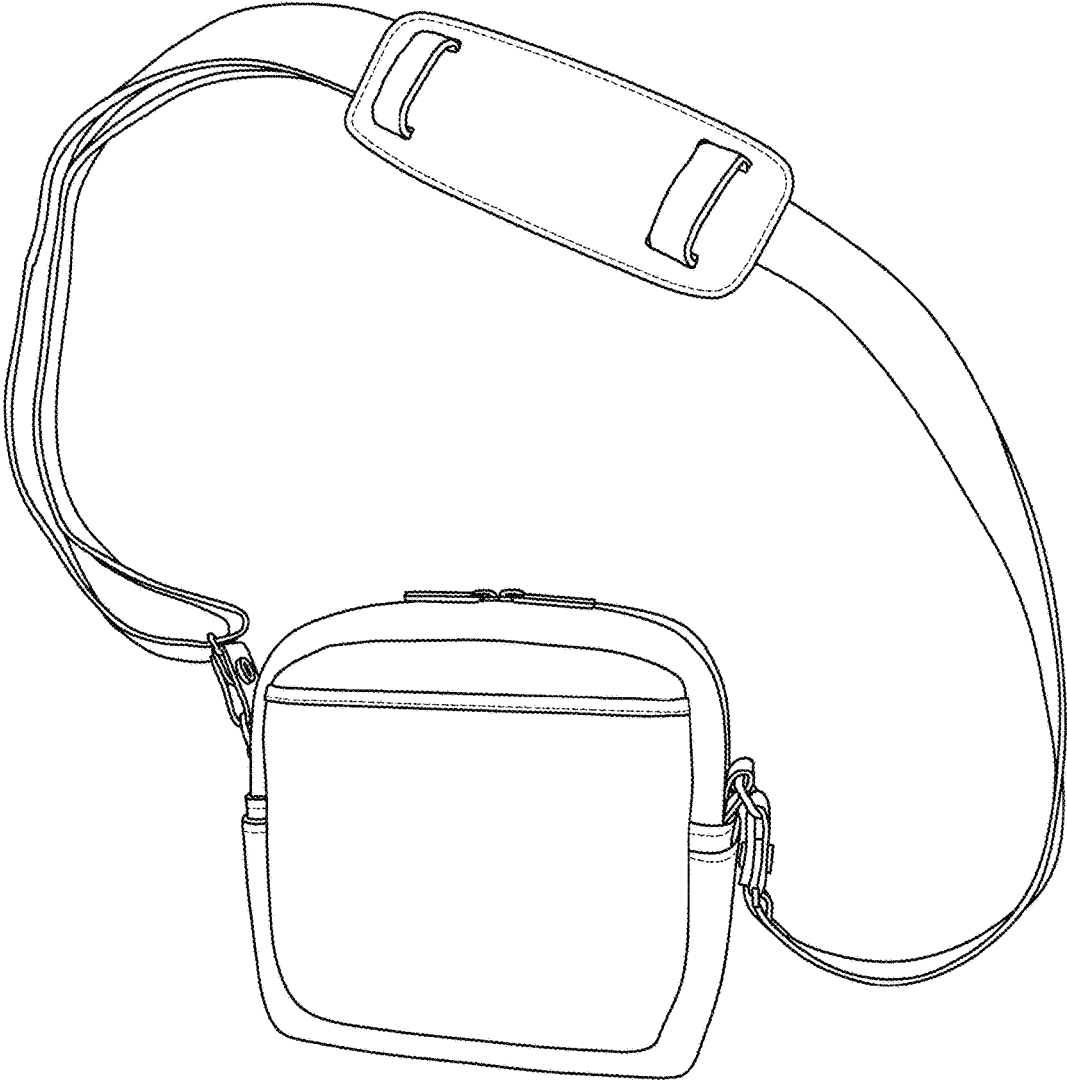


FIG. 3

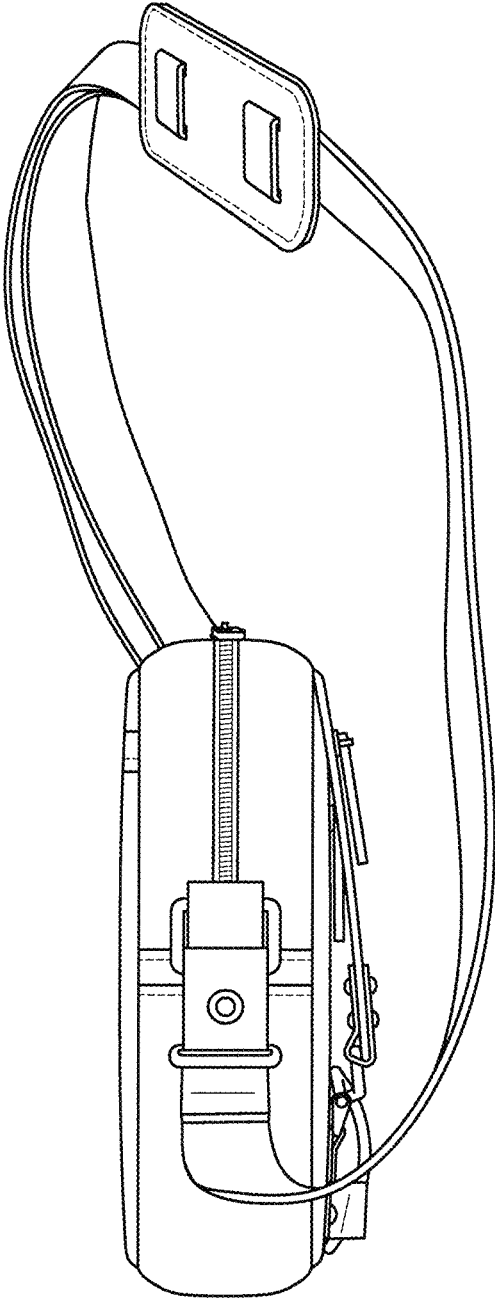


FIG. 4

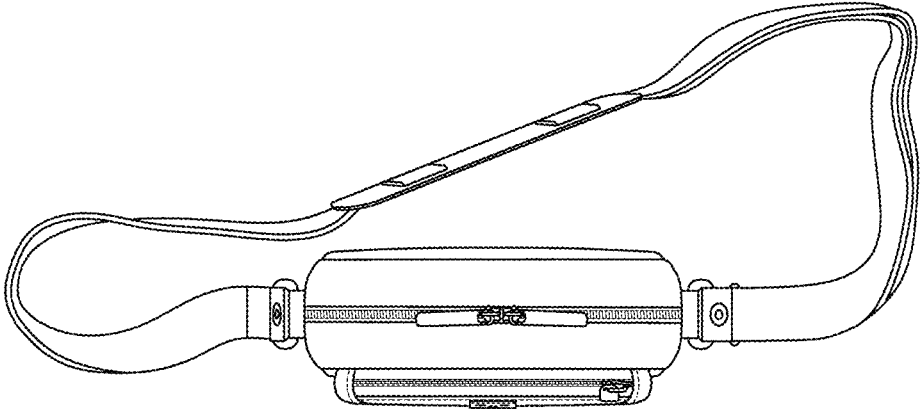


FIG. 5

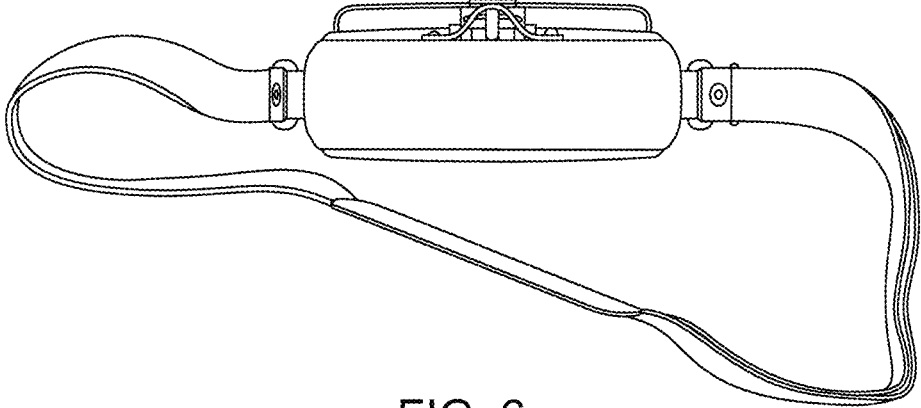


FIG. 6