



US00D829835S

(12) **United States Design Patent**
Yu

(10) **Patent No.:** **US D829,835 S**

(45) **Date of Patent:** **** Oct. 2, 2018**

(54) **JUMP ROPE HANDLE**

(71) Applicant: **Xunqing Yu, Zhejiang (CN)**

(72) Inventor: **Xunqing Yu, Zhejiang (CN)**

(73) Assignee: **YIWU MIDA HARDWARE CO., LTD., Zhejiang (CN)**

(**) Term: **15 Years**

(21) Appl. No.: **29/605,626**

(22) Filed: **May 27, 2017**

(51) **LOC (11) Cl.** **21-02**

(52) **U.S. Cl.**
USPC **D21/672**

(58) **Field of Classification Search**
USPC ... 482/106, 108, 49, 110, 126, 121, 51, 127, 482/93, 10, 46, 125, 82, 141; D30/160, D30/151; D21/682, 662, 692, 456, 684, D21/457, 691, 686, 679, 694, 753, 672, D21/681; D11/3, 13, 6, 93; 24/598.2; 446/28; D8/303; D24/211, 190, 200; D22/147; D19/174, 184, 906, 905, 917
CPC ... A63B 5/20; A63B 2208/12; A63B 21/4035; A63B 21/0552; A63B 21/0557; A63B 5/205

5,092,583 A * 3/1992 Rudolf A63B 5/20 482/82

6,551,222 B1 * 4/2003 Beaver A63B 5/20 482/82

D576,231 S * 9/2008 Rasmussen D21/694

D576,232 S * 9/2008 Rasmussen D21/694

D634,376 S * 3/2011 Saffaie D21/684

8,033,962 B2 * 10/2011 Veitch A63B 5/20 482/81

D724,670 S * 3/2015 Yokoyama D19/174

9,381,391 B1 * 7/2016 Welty, II A63B 5/20

9,492,699 B2 * 11/2016 Carpinelli A63B 5/20

D777,850 S * 1/2017 Kaye D21/692

9,687,687 B2 * 6/2017 Carpinelli A63B 5/20

9,884,217 B2 * 2/2018 Henniger A63B 5/20

2007/0173357 A1 * 7/2007 Mauer A63B 15/00 473/457

2009/0247373 A1 * 10/2009 Borth A63B 5/20 482/82

2010/0240500 A1 * 9/2010 Kim A63B 5/20 482/82

(Continued)

Primary Examiner — Philip S Hyder
Assistant Examiner — Ryan Harvey

(57) **CLAIM**

The ornamental design for a jump rope handle, as shown and described.

DESCRIPTION

FIG. 1 is a perspective view of the jump rope handle showing my new design;

FIG. 2 is a front elevational view thereof, the back, left side and right side elevational views being identical thereto;

FIG. 3 is a top plan view thereof; and,

FIG. 4 is a bottom plan view thereof.

The broken lines shown in drawings are for the purpose of illustrating portions of the jump rope handle and form no part of the claimed design.

1 Claim, 4 Drawing Sheets

(56) **References Cited**
U.S. PATENT DOCUMENTS

D215,768 S * 10/1969 Horie D19/184

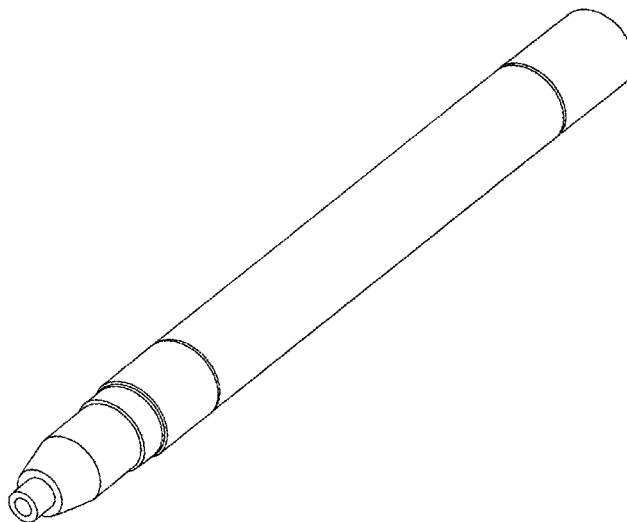
3,762,704 A * 10/1973 Gingras A63B 5/20 273/156

D263,326 S * 3/1982 Cooper D21/672

4,801,137 A * 1/1989 Douglass A63B 5/20 482/108

D305,446 S * 1/1990 Valentine D21/672

4,934,691 A * 6/1990 Rudd A63B 23/03516 482/126



(56)

References Cited

U.S. PATENT DOCUMENTS

2013/0165299	A1*	6/2013	Hunt	A63B 5/20 482/82
2014/0080680	A1*	3/2014	Henniger	A63B 5/20 482/82
2015/0119206	A1*	4/2015	Newman	A63B 5/20 482/82
2015/0335931	A1*	11/2015	Jordan	A63B 5/20 482/82

* cited by examiner

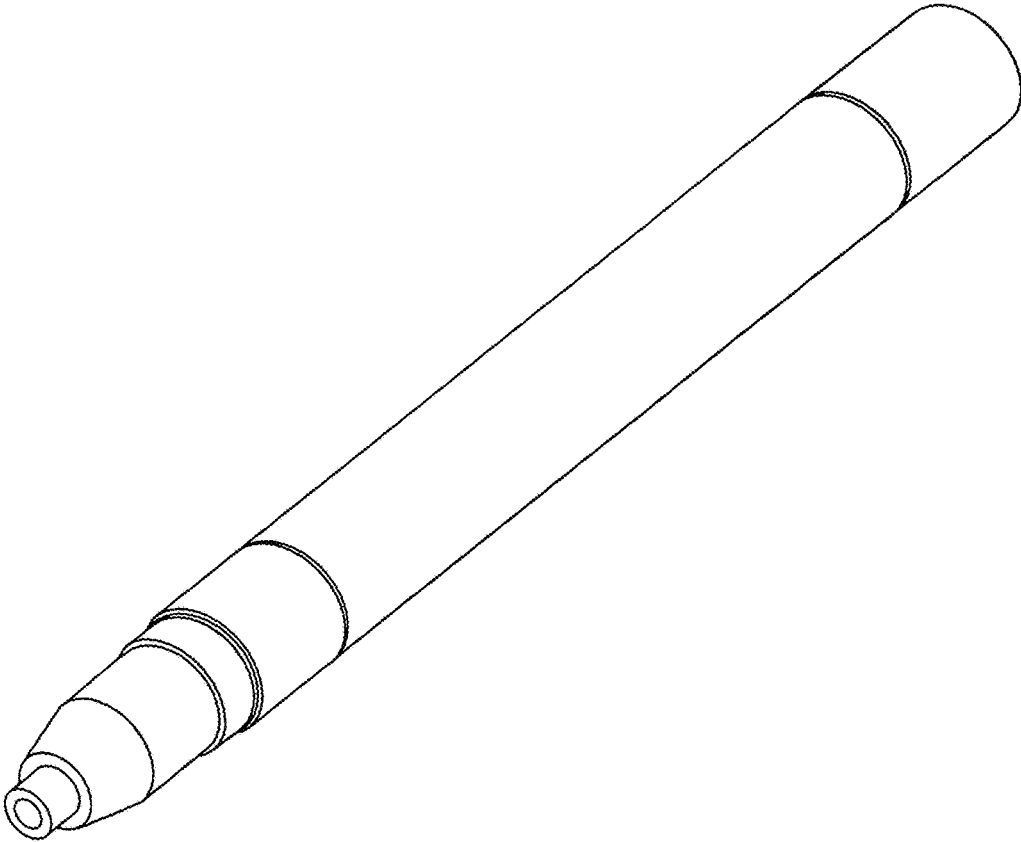


FIG.1

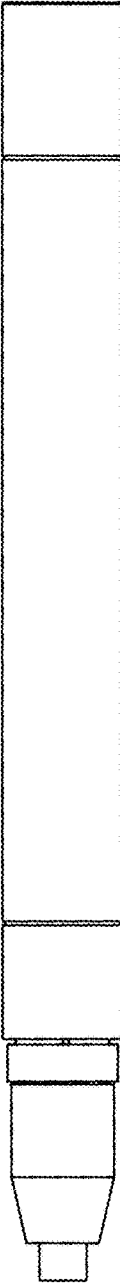


FIG.2

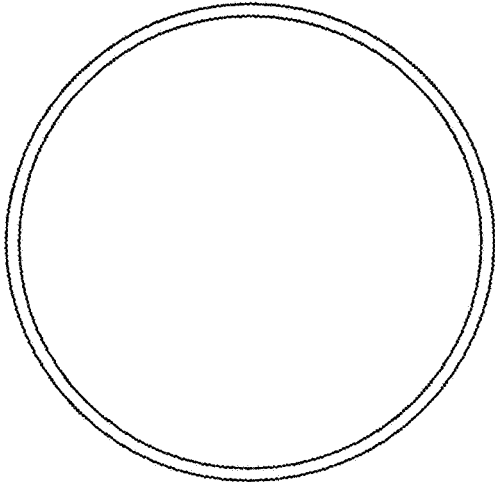


FIG.3

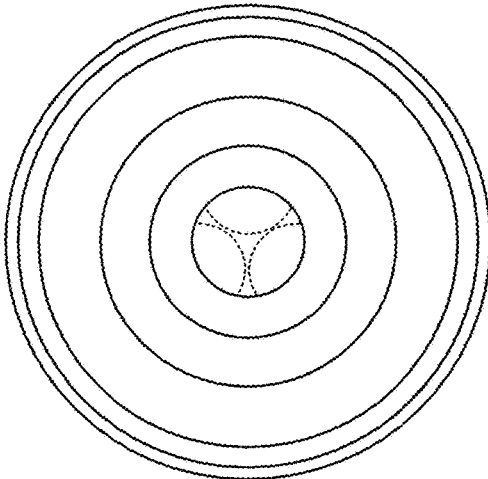


FIG. 4