



US00D688735S

(12) **United States Design Patent**
Chaput

(10) **Patent No.:** **US D688,735 S**

(45) **Date of Patent:** **** Aug. 27, 2013**

(54) **STRING LOCK DEVICE FOR STRINGED INSTRUMENTS**

(76) Inventor: **Ivanhoe E. Chaput**, Gardena, CA (US)

(**) Term: **14 Years**

(21) Appl. No.: **29/411,115**

(22) Filed: **Jan. 17, 2012**

(51) **LOC (9) Cl.** **17-03**

(52) **U.S. Cl.**
USPC **D17/20**

(58) **Field of Classification Search**
USPC D17/20, 21, 99; 84/214, 298, 299,
84/312 R, 313, 317, 318, 454, 455
See application file for complete search history.

(56) **References Cited**

U.S. PATENT DOCUMENTS

D373,136	S	*	8/1996	Goto	D17/21
D400,562	S	*	11/1998	Hicks et al.	D17/20
D433,700	S	*	11/2000	Gregory	D17/21
6,369,305	B1	*	4/2002	Powers et al.	84/298
D468,760	S	*	1/2003	Powers et al.	D17/20

D496,385	S	*	9/2004	Steinberger	D17/20
D496,386	S	*	9/2004	Steinberger	D17/20
D587,743	S	*	3/2009	Kroon et al.	D17/21
D636,812	S	*	4/2011	Taylor	D17/21
D643,870	S	*	8/2011	Woodland et al.	D17/21
2005/0045018	A1	*	3/2005	Turner	84/298

* cited by examiner

Primary Examiner — Rashida Johnson

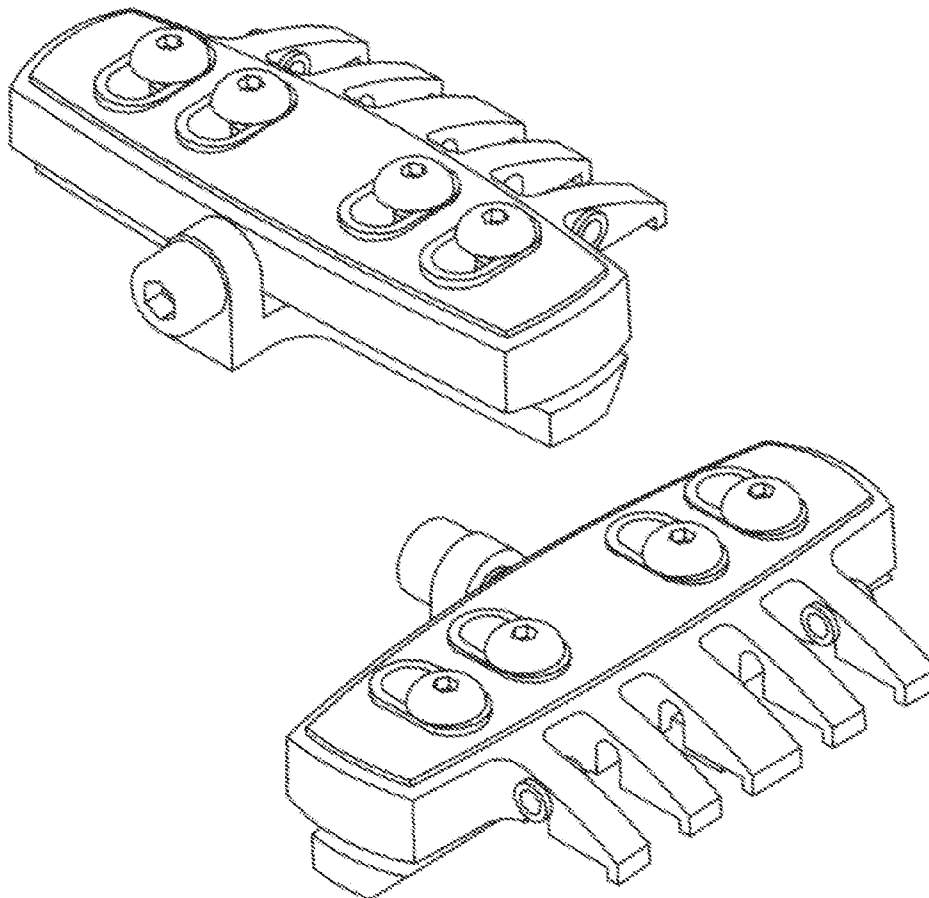
(57) **CLAIM**

The ornamental design for a string lock device for stringed instruments, as shown and described.

DESCRIPTION

FIG. 1 is a rear perspective view of a string lock device for stringed instruments showing my new design; FIG. 2 is a front perspective view thereof; FIG. 3 is a right side view thereof; FIG. 4 is a left side view thereof; FIG. 5 is a top view thereof; FIG. 6 is a front view thereof; FIG. 7 is a rear view thereof; and, FIG. 8 is a bottom view thereof.

1 Claim, 3 Drawing Sheets



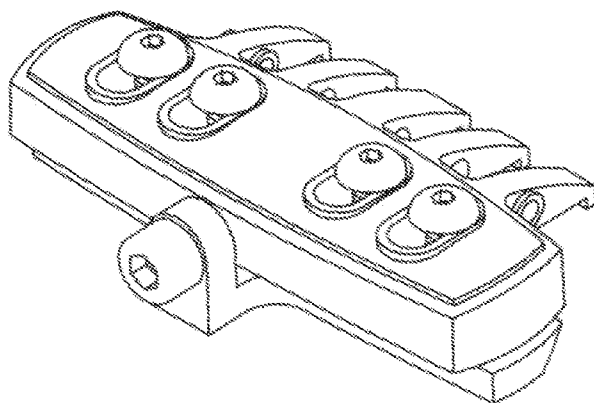


Fig. 1

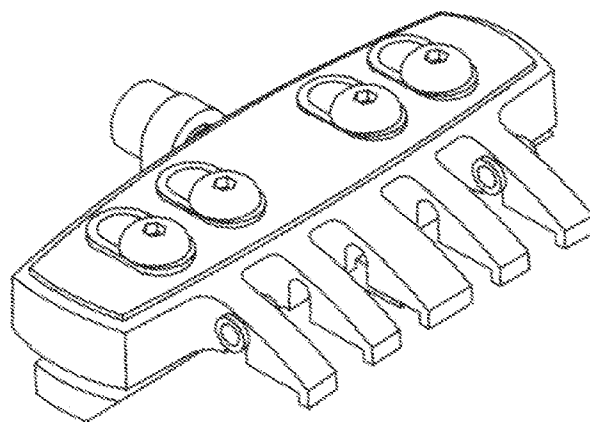


Fig. 2

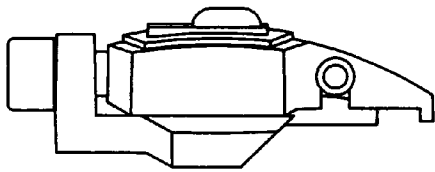


Fig. 3

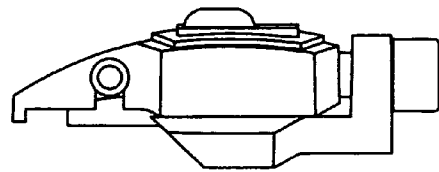


Fig. 4

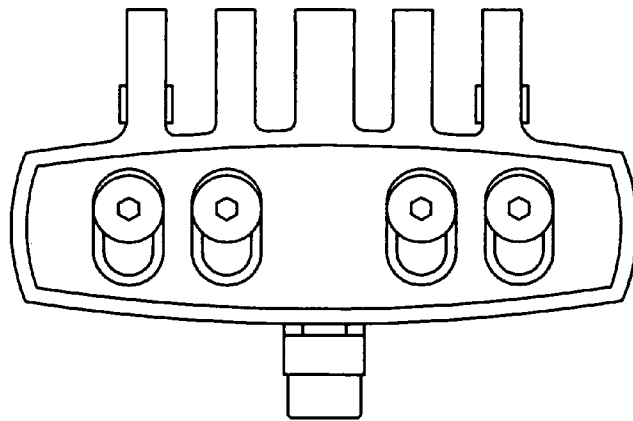


Fig. 5

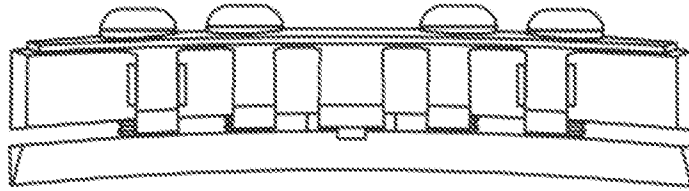


Fig. 6

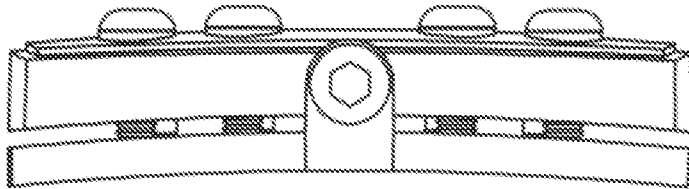


Fig. 7

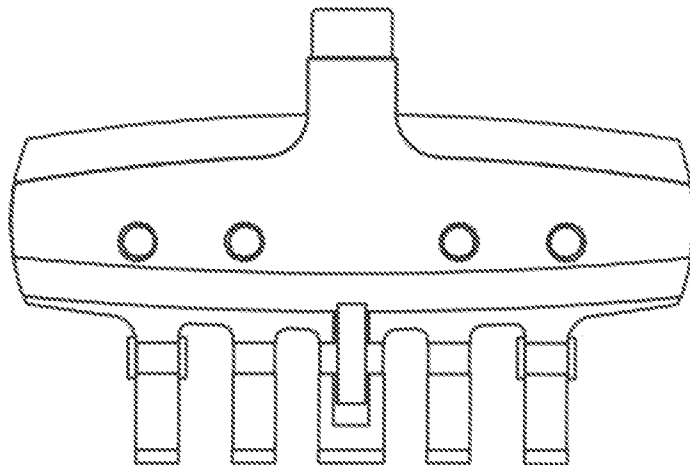


Fig. 8