

United States Patent [19]

Vassallo et al.

[11] Patent Number: **Des. 291,481**

[45] Date of Patent: **** Aug. 18, 1987**

[54] **ELBOW PIPE FITTING**

[75] Inventors: **Efrain D. Vassallo; Jose E. Valls,**
both of Ponce, P.R.

[73] Assignee: **Vassallo Research and Development**
Corporation, Ponce, P.R.

[**] Term: **14 Years**

[21] Appl. No.: **700,138**

[22] Filed: **Feb. 11, 1985**

[52] U.S. Cl. **D23/43**

[58] Field of Search **D23/40-47;**
285/150, 156, 177, 179, 231, 345, 369, 383, 423

[56] **References Cited**

U.S. PATENT DOCUMENTS

D. 135,633	5/1943	Stark et al.	D23/45
D. 135,634	5/1943	Stark et al.	D23/45
D. 137,384	2/1944	Corley	D23/45
865,497	9/1907	Kenyon	285/345 X
2,121,558	6/1938	Coe et al.	D23/43 X
3,064,983	11/1962	Halterman	285/345 X
3,582,113	6/1971	Cauthery	285/345 X

3,592,491	7/1971	Glover	285/345 X
3,791,679	2/1974	Glover	285/156 X
4,130,302	12/1978	Mitchell et al.	285/156 X
4,223,896	9/1980	Strom	285/231 X
4,343,480	8/1982	Vassallo	277/207 A
4,368,894	1/1983	Parmann	285/231 X
4,371,179	2/1983	Bohman	285/231 X
4,637,618	1/1987	Valls	277/152

Primary Examiner—James R. Largen
Attorney, Agent, or Firm—Steele, Gould & Fried

[57] **CLAIM**

The ornamental design for an elbow pipe fitting, as shown and described.

DESCRIPTION

FIG. 1 is a perspective view of an elbow pipe fitting showing our new design:

FIG. 2 is a top plan view thereof;

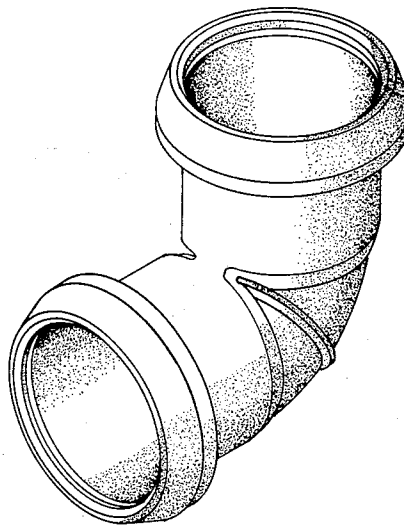
FIG. 3 is a right side elevational view thereof;

FIG. 4 is a front elevational view thereof;

FIG. 5 is a rear elevational view thereof;

FIG. 6 is a bottom plan view thereof; and

FIG. 7 is a left side elevational view thereof.



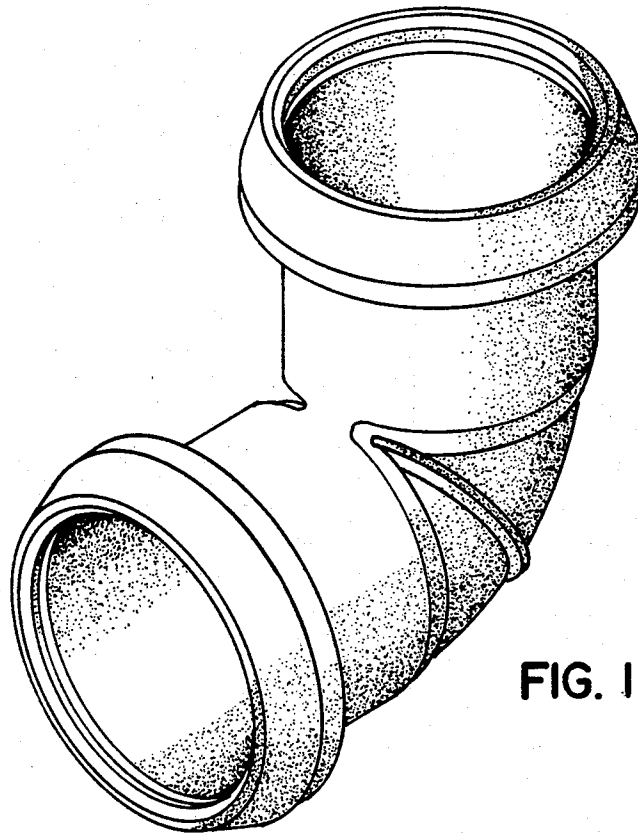


FIG. 1

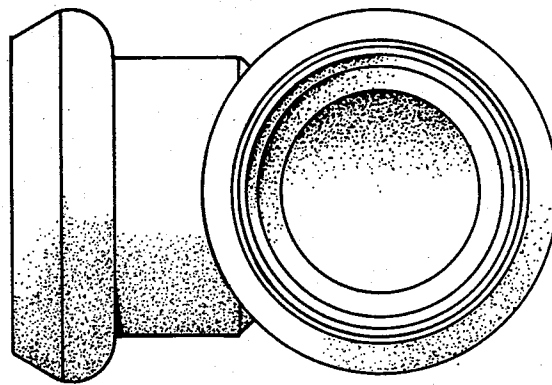


FIG. 2

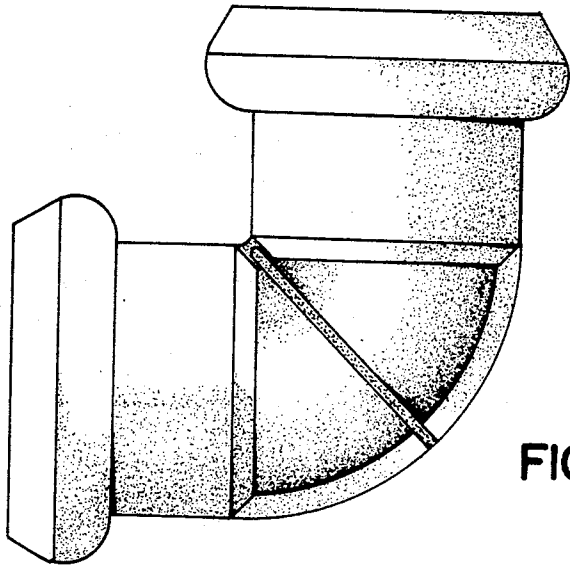


FIG. 3

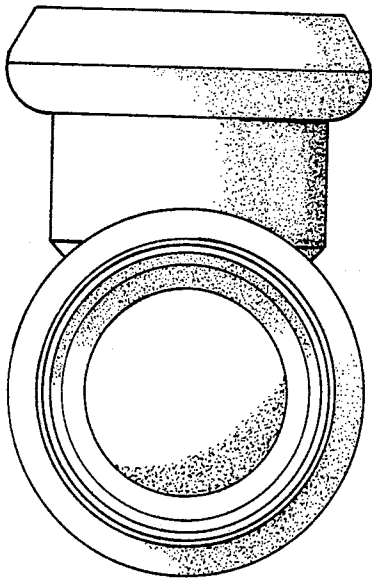


FIG. 4

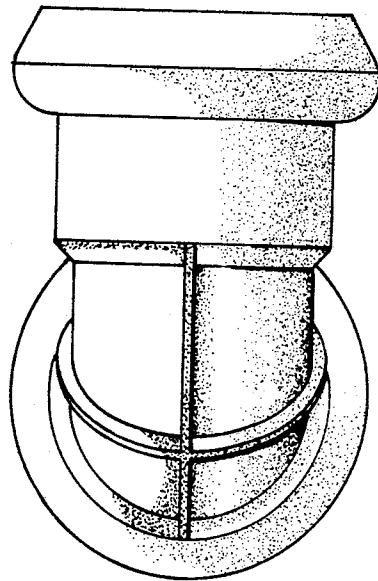


FIG. 5

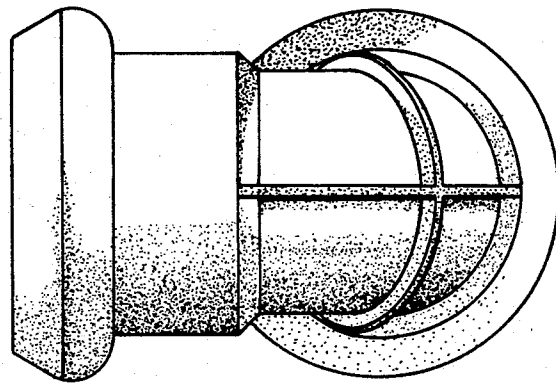


FIG. 6

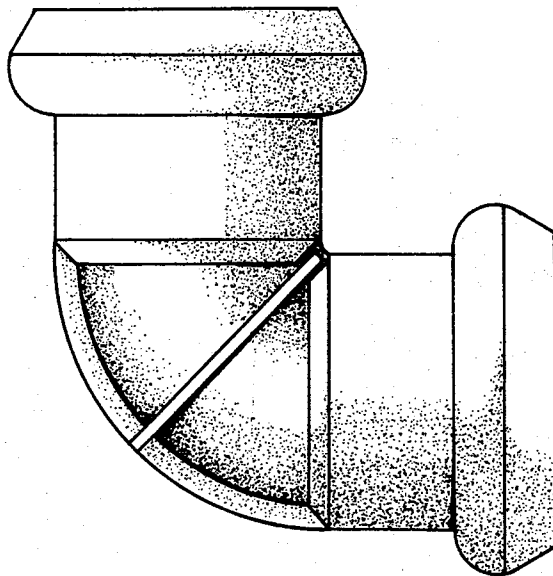


FIG. 7